

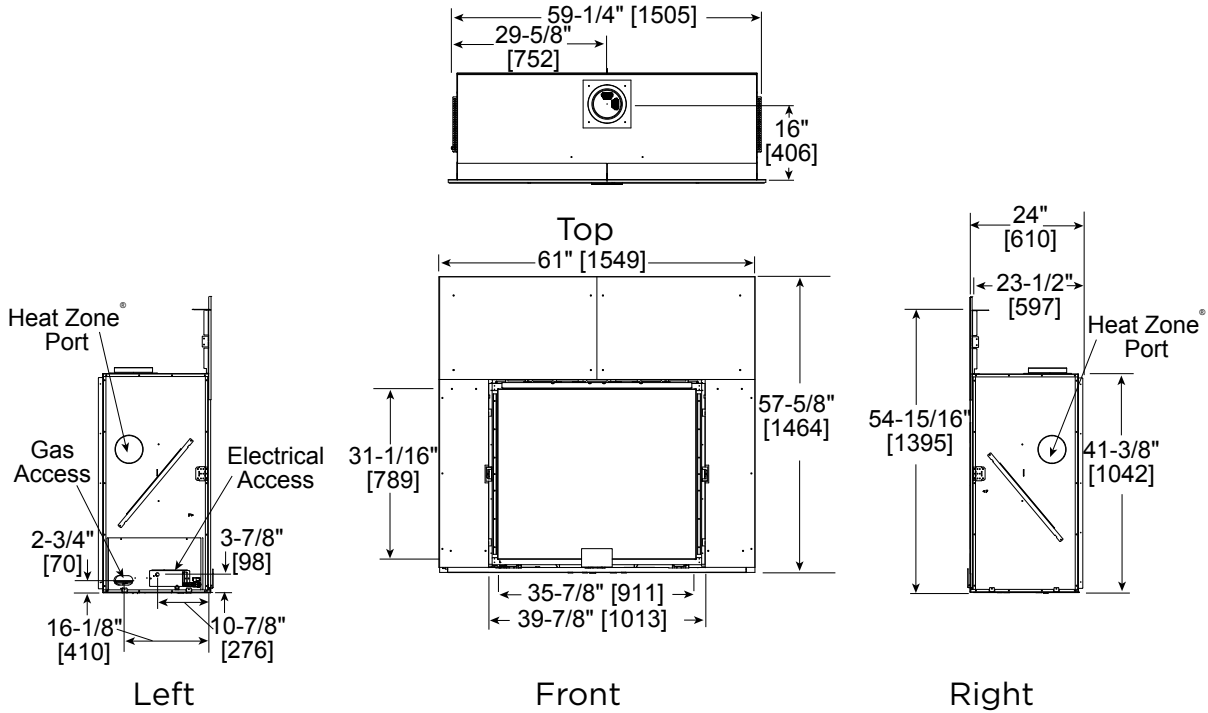


Please consult the manufacturer's installation manual for all details and requirements before making a final design layout decision.

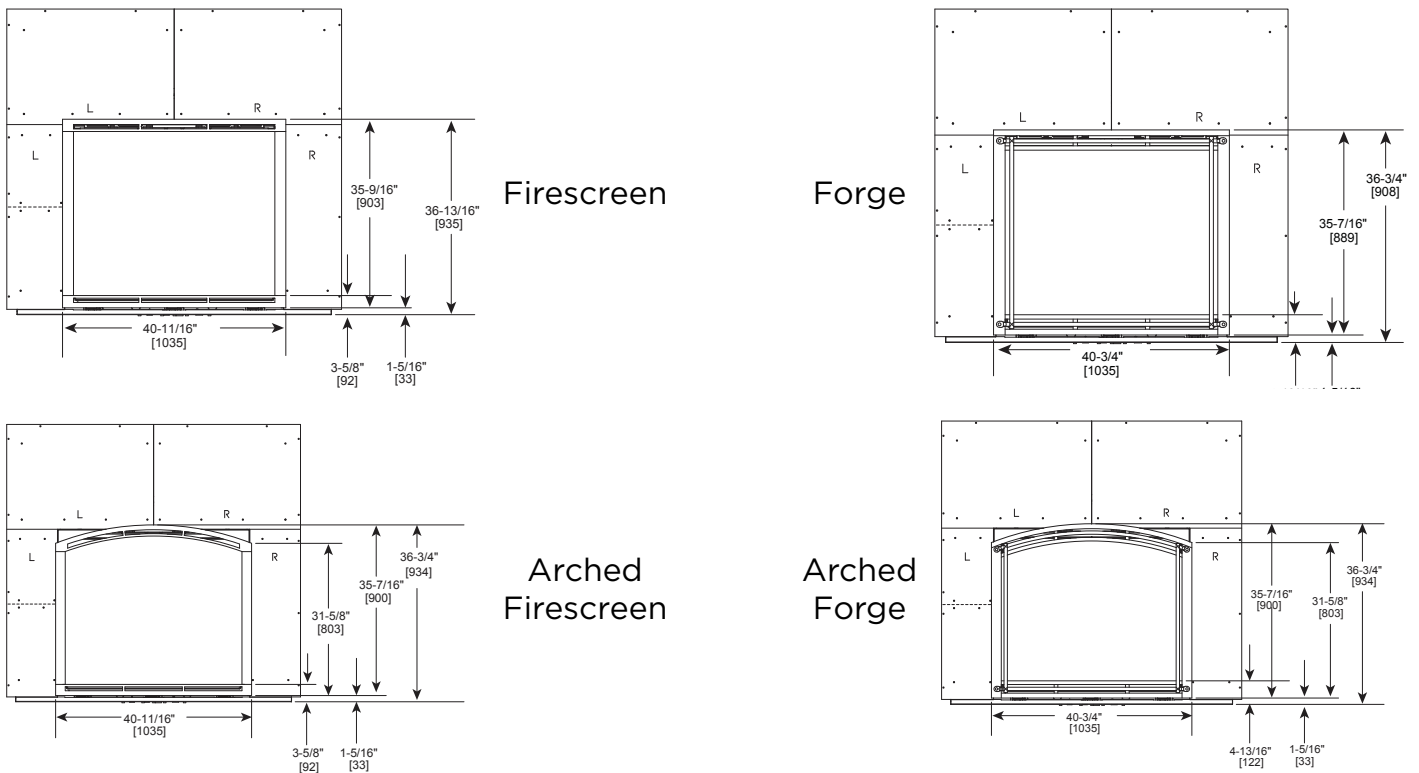
**TRUE**  
36" Direct Vent Gas Fireplace

MODEL	FRONT WIDTH		BACK WIDTH		HEIGHT		DEPTH		GLASS SIZE
	Actual	Framing	Actual	Framing	Actual	Framing	Actual	Framing	
TRUE-36	61	59-1/2	59-1/4	59-1/2	57-5/8	56	24	24	35-7/8 x 31-1/16

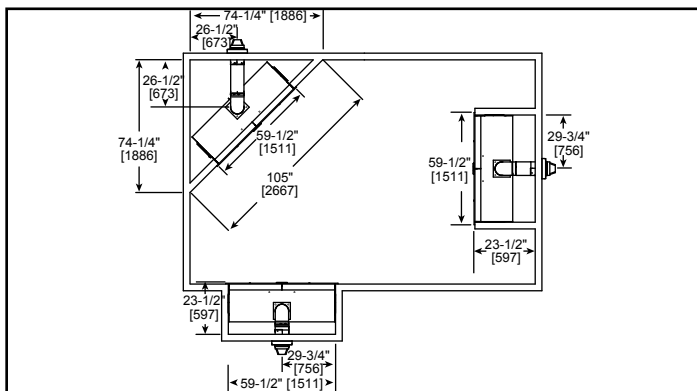
UNIT



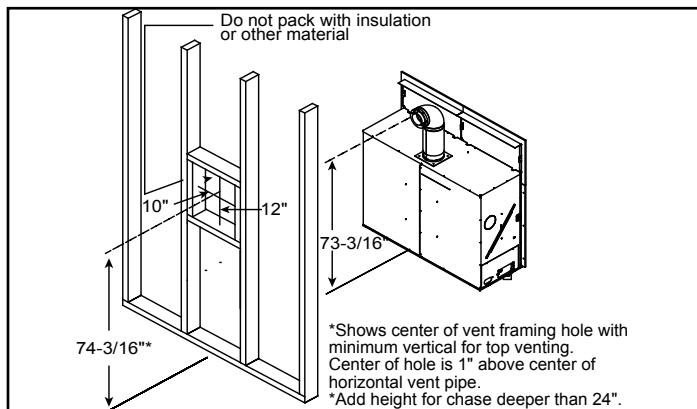
FRONTS



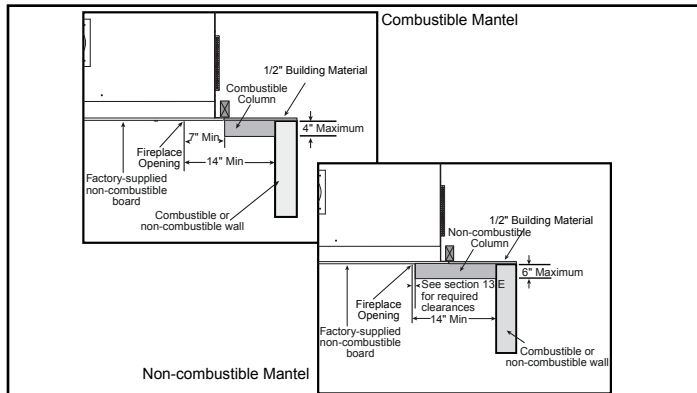
**APPLIANCE LOCATION**



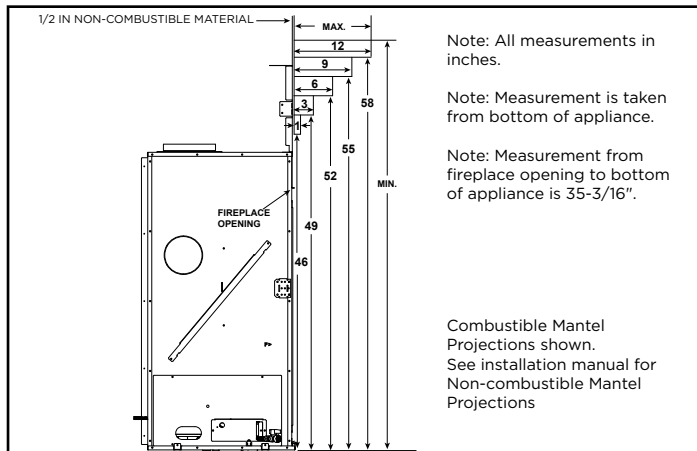
**WALL PENETRATION**



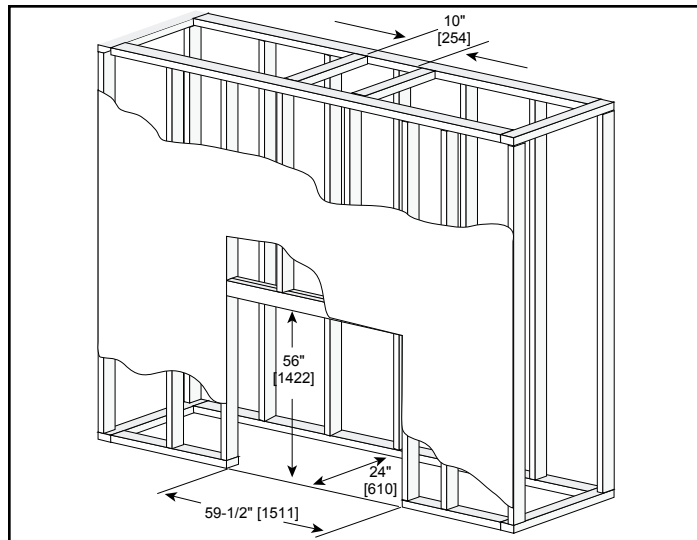
**MANTEL LEG/WALL PROJECTIONS**



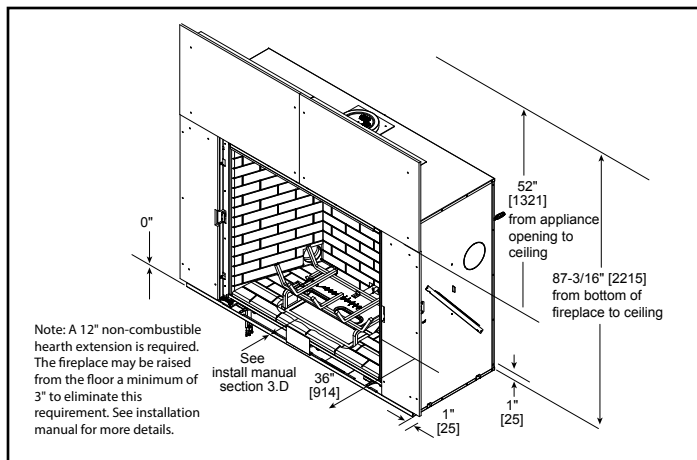
**COMBUSTIBLE MANTEL PROJECTIONS**



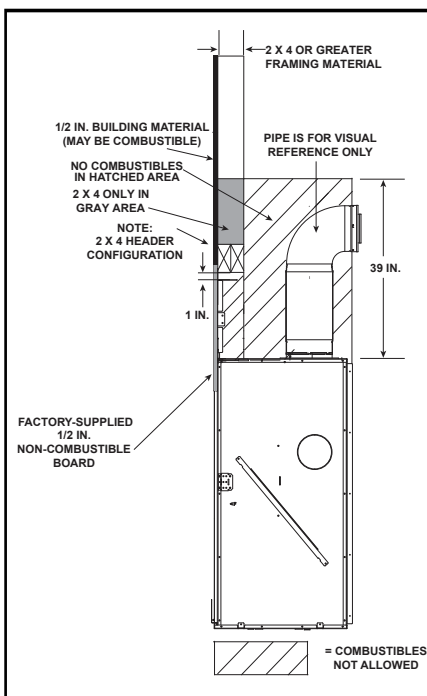
**FRAMING DIMENSION**



**CLEARANCES TO COMBUSTIBLES**



**NON-COMBUSTIBLE ZONE**



PRODUCT LISTING CODES	
US	ANSI Z21.88-2014
CAN	CSA 2.33-2014
	UL307B

Product information provided is not complete and is subject to change without notice. Product installation must adhere strictly to instructions accompanying product to avoid risk of fire and potential injury.

Additional information can be found online at [www.heatnglo.com](http://www.heatnglo.com)