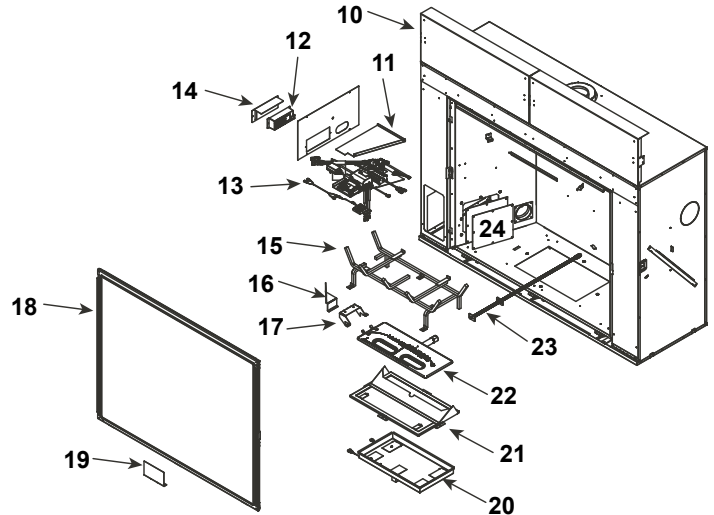


Log Set Assembly



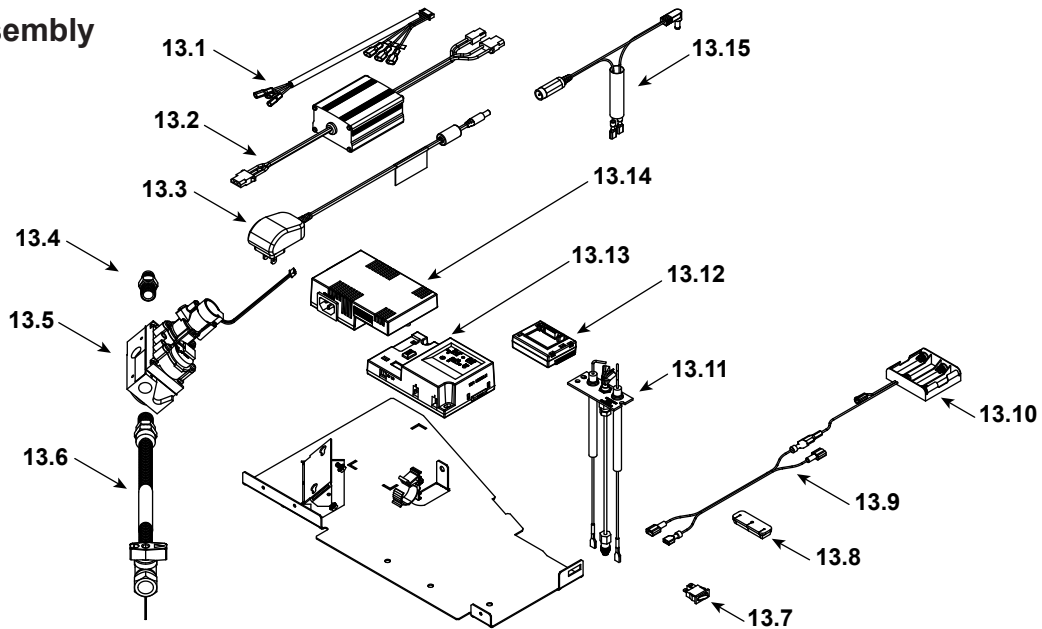
IMPORTANT: THIS IS DATED INFORMATION. Parts must be ordered from a dealer or distributor. **Hearth and Home Technologies does not sell directly to consumers.** Provide model number and serial number when requesting service parts from your dealer or distributor.



Stocked at Depot

ITEM	DESCRIPTION	COMMENTS	PART NUMBER	
	Log Assembly		LOGS-TRUE50	
1	Log 1		SRV2282-701	
2	Log 2		SRV2282-702	
3	Log 3		SRV2282-703	
4	Log 4		SRV2282-704	
5	Log 5		SRV2281-705	
6	Log 6		SRV2282-706	
7	Log 7		SRV2281-707	
8	Log 8		SRV2281-708	
9	Log 9 (Not shown)		SRV2170-725	
10	Heat Shield, Header	Qty 2 req	2282-105	
11	Heat Shield, Valve		2281-153	
12	Junction box		SRV4021-013	Y
13	Valve Assembly		Refer to Valve Page	
14	J-Box Bracket		2281-154	
15	Grate Assembly		2282-015	
16	Air Deflector		2281-159	
17	Pilot Cover		2282-187	
18	Glass Assembly		GLA-2282	
19	Finishing Spacer		2281-113	
20	LED Tub Assembly		2282-017	Y
21	Inner Glass Frame Assembly		2282-019	Y
22	Burner Assembly NG		2282-007	Y
	Burner Assembly Propane		2282-008	Y
23	Orifice Bracket Flex		2282-161	Y
24	Access Plate		2281-117	

#13 Valve Assembly



IMPORTANT: THIS IS DATED INFORMATION. Parts must be ordered from a dealer or distributor. **Hearth and Home Technologies does not sell directly to consumers.** Provide model number and serial number when requesting service parts from your dealer or distributor.



Stocked at Depot

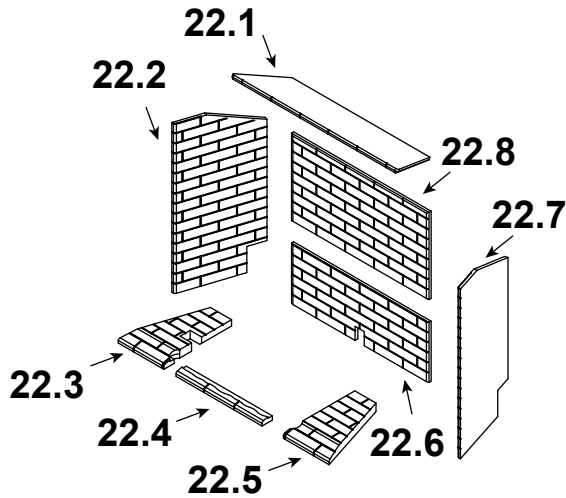
ITEM	DESCRIPTION	COMMENTS	PART NUMBER	
13.1	Wire Harness		SRV2326-132	Y
13.2	Led Controller		2166-336	Y
13.3	Power Supply		SRV2326-131	Y
13.4	Male connector	Pkg of 5	303-315/5	Y
13.5	Valve NG		2166-302	Y
	Valve Propane		2166-303	Y
13.6	Flex Ball Valve Assembly. 12"		SRV302-320	Y
13.7	Reset Switch	Pre LC5114352	SRV2206-299	Y
		Post LC5114352	2206-298	Y
13.8	Grommet		SRV2118-420	
13.9	Wire, Battery jumper, 10 in		2281-196	Y
13.10	**Battery Pack		SRV2326-134	Y
13.11	Pilot Assembly, NG		2270-012	Y
13.12	Module, RF FCC		2326-120	Y
13.13	Module, Control IFT		SRV2326-130	Y
13.14	Aux Module, B Type		2326-150	Y
13.15	Reset Switch Wire		2326-135	Y
	Cable, B Type AC Module		SRV2326-152	Y
	Orifice NG (#24C)		582-824	Y
	Orifice Propane (#43C)		SRV582-843	Y

**Fuse for battery pack can be sourced locally, not a warranty item. Specs are 250v, 3A fuse, 3/4" long

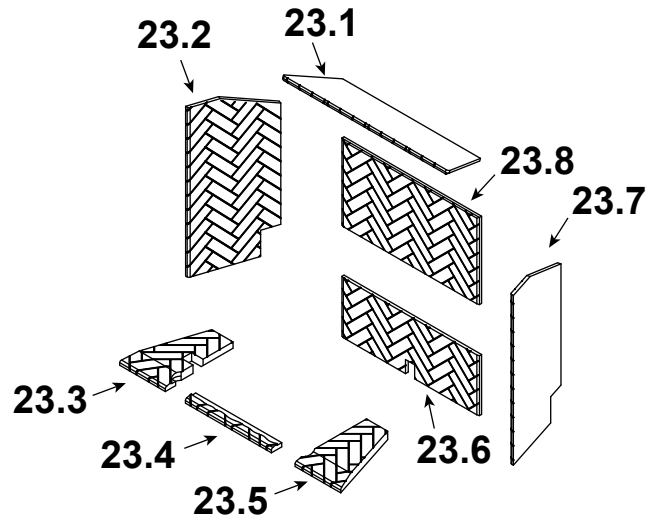
Additional service parts on following page.

No one builds a better fire

#22 Stratford Refractory



#23 Herringbone Refractory



IMPORTANT: THIS IS DATED INFORMATION. Parts must be ordered from a dealer or distributor. **Hearth and Home Technologies does not sell directly to consumers.** Provide model number and serial number when requesting service parts from your dealer or distributor.



Stocked at Depot

ITEM	DESCRIPTION	COMMENTS	PART NUMBER	
	Refractory, Stratford		TRUE-50S-IFT	
22.1	Refractory, Top		SRV2282-716	
22.2	Refractory, Left		SRV2282-713	
22.3	Refractory, Left Base		SRV2282-711	
22.4	Refractory, Front Base		SRV2282-710	
22.5	Refractory, Right Base		SRV2282-712	
22.6	Refractory, Back Bottom		SRV2282-715	
22.7	Refractory, Right		SRV2282-714	
22.8	Refractory, Back		SRV2282-717	
	Refractory, Herringbone		TRUE-50TG-IFT	TRUE-50H-IFT
23.1	Refractory, Top		SRV2440-716	SRV2282-726
23.2	Refractory, Left		SRV2440-713	SRV2282-723
23.3	Refractory, Left Base		SRV2440-711	SRV2282-721
23.4	Refractory, Front Base		SRV2440-710	SRV2282-720
23.5	Refractory, Right Base		SRV2440-712	SRV2282-722
23.6	Refractory, Back Bottom		SRV2440-715	SRV2282-725
23.7	Refractory, Right		SRV2440-714	SRV2282-724
23.8	Refractory, Back		SRV2440-717	SRV2282-727

Additional service parts on following page.

