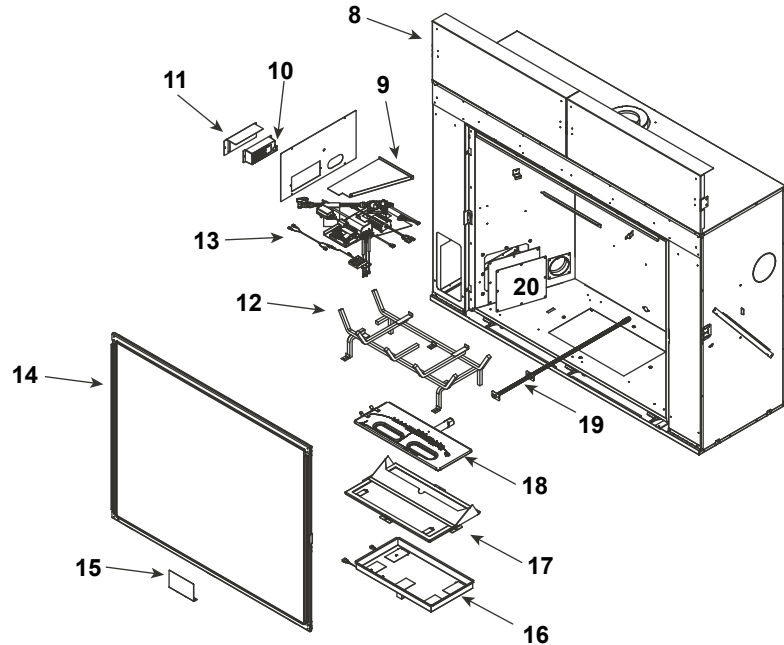
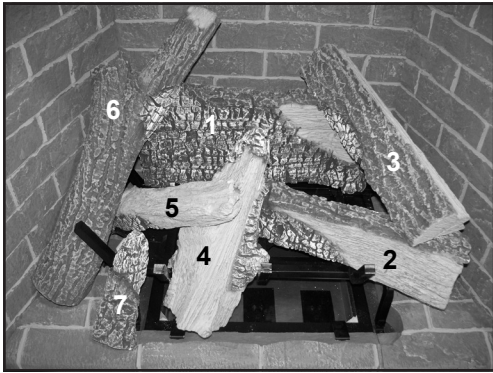


### TRUE-36H-IFT End Manufacturing Date: March 2019

#### Log Set Assembly



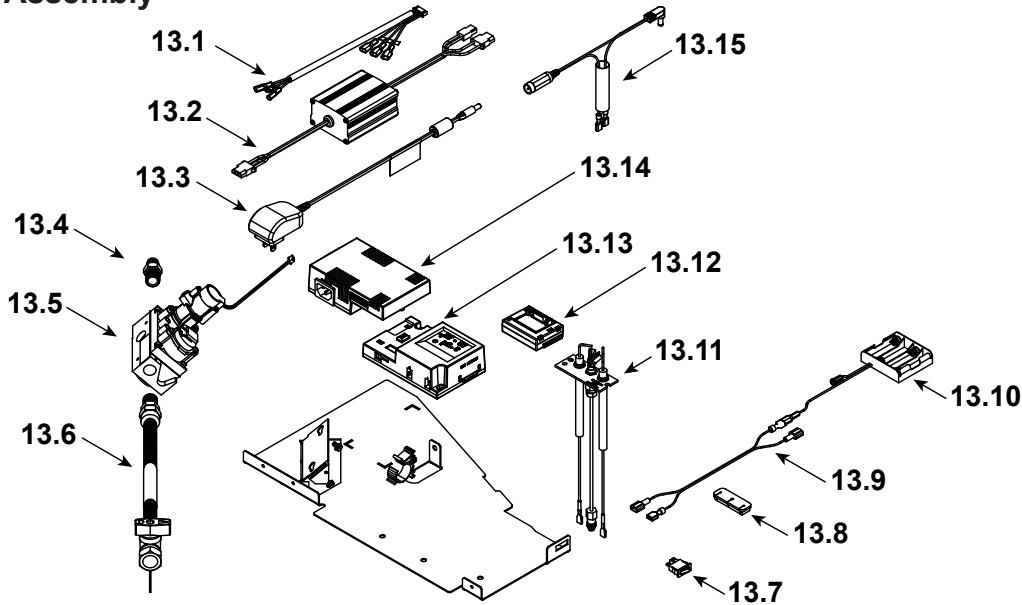
IMPORTANT: THIS IS DATED INFORMATION. Parts must be ordered from a dealer or distributor. **Hearth and Home Technologies does not sell directly to consumers.** Provide model number and serial number when requesting service parts from your dealer or distributor.



Stocked at Depot

ITEM	DESCRIPTION	COMMENTS	PART NUMBER	
	Log Assembly		LOGS-TRUE36	Y
1	Log 1		SRV2280-701	
2	Log 2		SRV2280-702	
3	Log 3		SRV2281-703	
4	Log 4		SRV2280-704	
5	Log 5		SRV2280-705	
6	Log 6		SRV2281-706	
7	Log 7		SRV2281-708	
8	Heat Shield, Header	Qty 2 req	2280-105	
9	Heat Shield, Valve		2281-153	
10	Junction box		SRV4021-013	Y
11	J-Box Bracket		2281-154	
12	Grate Assembly		2280-015	
13	Valve Assembly		<b>Refer to Valve Page</b>	
14	Glass Assembly		GLA-2280	
15	Finishing Spacer		2281-113	
16	LED Tub Assembly		2280-017	
17	Inner Glass Frame Assembly		2280-019	
18	Burner Assembly		2280-007	Y
19	Orifice Bracket Flex		2012-008	Y
20	Access Plate		2281-117	
	Cover, Rear Light	<b>TRUE-36G-IFT Only</b>	2461-168	

### #13 Valve Assembly



IMPORTANT: THIS IS DATED INFORMATION. Parts must be ordered from a dealer or distributor. **Hearth and Home Technologies does not sell directly to consumers.** Provide model number and serial number when requesting service parts from your dealer or distributor.

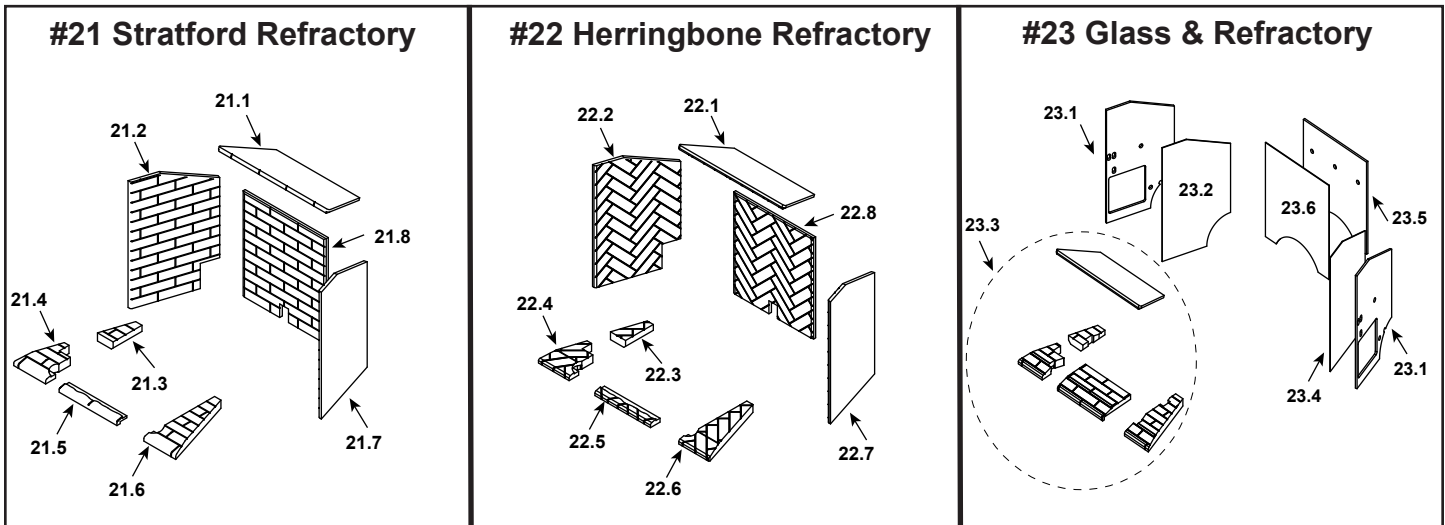


**Stocked  
at Depot**

ITEM	DESCRIPTION	COMMENTS	PART NUMBER	
13.1	Wire Harness		SRV2326-132	Y
13.2	Led Controller		2166-336	Y
13.3	Power Supply		SRV2326-131	Y
13.4	Male connector	Pkg of 5	303-315/5	Y
13.5	Valve NG		2166-302	Y
	Valve Propane		2166-303	Y
13.6	Flex Ball Valve Assembly. 12"		SRV302-320	Y
13.7	Reset Switch	Pre LC5114352	SRV2206-299	Y
		Post LC5114352	2206-298	Y
13.8	Grommet		SRV2118-420	
13.9	Wire, Battery jumper, 10 in		2281-196	Y
13.10	**Battery Pack		SRV2326-134	Y
13.11	Pilot Assembly, NG		2270-012	Y
13.12	Module, RF FCC		2326-120	Y
13.13	Module, Control IFT		SRV2326-130	Y
13.14	Aux Module, B Type		2326-150	Y
13.15	Reset Switch Wire		2326-135	Y
	Cable, B Type AC Module		SRV2326-152	Y
	Orifice NG (#30C)		582-830	Y
	Orifice Propane (#47C)		582-847	Y

\*\*Fuse for battery pack can be sourced locally, not a warranty item. Specs are 250v, 3A fuse, 3/4" long

No one builds a better fire



IMPORTANT: THIS IS DATED INFORMATION. Parts must be ordered from a dealer or distributor. **Hearth and Home Technologies does not sell directly to consumers.** Provide model number and serial number when requesting service parts from your dealer or distributor.



**Stocked at Depot**

ITEM	DESCRIPTION	COMMENTS	PART NUMBER	
	Refractory, Stratford		TRUE-36S-IFT	
21.1	Refractory, Top		SRV2280-716	
21.2	Refractory, Left		SRV2280-713	
21.3	Refractory, Left Base		SRV2280-718	
21.4	Refractory, Left Base		SRV2280-711	
21.5	Refractory, Front Base		SRV2280-710	
21.6	Refractory, Right Base		SRV2280-712	
21.7	Refractory, Right		SRV2280-714	
21.8	Refractory, Back		SRV2280-715	
	Refractory, Herringbone		TRUE-36TG-IFT	TRUE-36H-IFT
22.1	Refractory, Top		SRV2438-716	SRV2280-726
22.2	Refractory, Left		SRV2438-713	SRV2280-723
22.3	Refractory, Left Base		SRV2438-718	SRV2280-728
22.4	Refractory, Left Base		SRV2438-711	SRV2280-721
22.5	Refractory, Front Base		SRV2438-710	SRV2280-720
22.6	Refractory, Right Base		SRV2438-712	SRV2280-722
22.7	Refractory, Right		SRV2438-714	SRV2280-724
22.8	Refractory, Back		SRV2438-715	SRV2280-725
	Refractory, Glass		TRUE-36G-IFT	
23.1	Glass Spacer	Qty 2 req	2270-753	
23.2	Magic Glass, Left		SRV2270-743	
23.3	Refractory Assembly, Black		SRV2461-058	
23.4	Magic Glass, Right		SRV2270-744	
23.5	Back Glass Spacer		2270-755	
23.6	Magic Glass, Back		SRV2270-745	
	Glass Refractory Cover	Qty 2 req	SRV2280-281	

Additional service parts on following page.

