

# Owner's Manual

## Operation & Care

**INSTALLER:** Leave this manual with party responsible for use and operation.  
**OWNER:** Retain this manual for future reference.

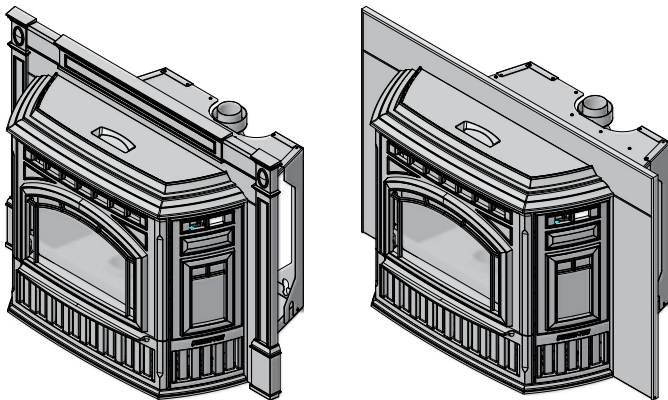
Contact your dealer with questions regarding installation, operation or service.

NOTICE: DO NOT DISCARD THIS MANUAL

# QUADRA-FIRE®

## TREKKER INSERT PELLET APPLIANCE

**MODEL NUMBERS:**  
**TREKKERI-MBK**  
**TREKKERI-PMH**  
**TREKKERI-TWL**



### CAUTION

Tested and approved for wood pellets only. Burning of any other type of fuel voids your warranty.

Installation and service of this appliance should be performed by qualified personnel. Hearth & Home Technologies recommends HHT Factory Trained or NFI certified professionals.



### WARNING



If the information in these instructions is not followed exactly, a fire could result causing property damage, personal injury, or death.

- Do not store or use gasoline or other flammable vapors and liquids in the vicinity of this or any other appliance.
- Do not over fire - If appliance or chimney connector glows, you are over firing. Over firing will void your warranty.
- Comply with all minimum clearances to combustibles as specified.

Failure to comply may cause house fire.



### WARNING



#### HOT SURFACES!

Glass and other surfaces are hot during operation AND cool down. Hot glass will cause burns.

- Do not touch glass until it is cooled
- NEVER allow children to touch glass
- Keep children away
- CAREFULLY SUPERVISE children in same room as fireplace.
- Alert children and adults to hazards of high temperatures
- High temperatures may ignite clothing or other flammable materials.
- Keep clothing, furniture, draperies and other flammable materials away.



### CAUTION

Check building codes prior to installation.

- Installation MUST comply with local, regional, state and national codes and regulations.
- Consult local building, fire officials or authorities having jurisdiction about restrictions, installation inspection, and permits.

**NOTE:** To obtain a French translation of this manual, please contact your dealer or visit [www.quadrafire.com](http://www.quadrafire.com)

**REMARQUE :** Pour obtenir une traduction française de ce manuel, s'il vous plaît contacter votre revendeur ou visitez [www.quadrafire.com](http://www.quadrafire.com)

# Congratulations


and Welcome to the Quadra-Fire Family!

**NOTE:** Clearances may only be reduced by means approved by the regulatory authority having jurisdiction


## A. Sample of Serial Number / Safety Label

LOCATION: Behind right cast side panel

Test Lab & Report No.



**Safety and Emissions  
Respectively  
Report #: 061-S-84-2  
Report #: 0061Ps094E**



**QUADRA-FIRE**  
Mt Vernon E2-C / Trekker  
Pellet Insert

Serial No. / N° de série

HF

**CAUTION: HOT WHILE IN OPERATION DO NOT TOUCH, KEEP CONTACT MAY CAUSE SKIN BURNS. SEE NAMEPLATE AND INSTRUCTIONS.**

**ATTENTION: CHAUD LORS DE L'OPÉRATION. NE PAS TOUCHER. L'ESPACE DÉSIGNÉ DE L'INSTALLATION. LE CONTACT PEUT CAUSER DES BRÛLURES À LA PEAU. VOIR L'ÉTIQUETTE ET LES INSTRUCTIONS.**

Listed Solid Fuel Room Heater/Pellet Type. Also suitable for Mobile Home Installation. This appliance has been tested and listed for use in Manufactured Homes in accordance with CAR 814-23-9000 through 814-23-909.

Appareil de chauffage à combustible solide de type de bouillottes. Accepté dans l'installation dans les maisons mobiles. Cet appareil a été testé et enregistré pour l'usage dans les Maisons Mobiles en accord avec CAR 814-23-9000 jusqu'à 814-23-909.

**PREVENT HOUSE FIRES / PRÉVENTION DES FEUX DE MAISON**  
Install and use only in accordance with manufacturer's installation and operating instructions. Contact local building or fire officials about restrictions and inspection in your area.

**WARNING - FOR MOBILE HOMES:** Do not install appliance in a sleeping room. An outside combustion air inlet must be provided. The structural integrity of the mobile home floor, ceiling and walls must be maintained. Refer to manufacturer's instructions and local codes for precautions required for passing chimney through a combustible wall or ceiling. Inspect and clean vent systems frequently in accordance with manufacturer's instructions. **DO NOT CONNECT THIS UNIT TO A CHIMNEY SERVING ANOTHER APPLIANCE.** Use a 3" or 4" diameter type "L" or "PL" venting system.

Installez et utilisez en accord avec les instructions d'installation et d'opération du fabricant. Contactez le bureau de la construction ou le bureau des incendies au sujet des restrictions et des inspections d'installation dans votre voisinage. Ne pas construire l'espace en dessous de l'appareil.

**AVIS - Pour Les Maisons Mobiles:** Ne pas installer dans une chambre à coucher. Un tuyau extérieur de combustion d'air doit être installé et ne doit pas être obstrué lorsque l'appareil est en usage. La structure intégrée du plancher, du plafond et des murs de la maison mobile doit être maintenue intacte. Référez-vous aux instructions du fabricant et des codes locaux pour les précautions requises pour passer une cheminée à travers un mur ou un plafond combustibles, et les compensations maximums. Inspectez et nettoyez fréquemment le système de ventilation "L" ou "PL" diamètre 76mm ou 102mm.

Conforms to ASTM Std E1509-12. Certified to ULC S628-93. Room Heating Pellet Burning Type. (UM) 84-HUD FOR USE ONLY WITH PELLETIZED WOOD FUEL. Do not use any other type of fuel!

Input Rating: 50,775 Btu/hr. Electrical Rating: 115 VAC, 60 Hz, Start 2.9 Amps, Run 2.45 Amps. Route power cord away from unit. Do not route cord under or in front of appliance. Do not obstruct the space beneath the heater.

**DANGER:** Risk of electrical shock. Disconnect power supply before servicing. Replace glass only with 5mm ceramic. To start, turn dial control to desired setting and set thermostat above room temperature, the stove will light automatically. To shutdown, turn dial control to OFF or set thermostat below room temperature. For further instruction refer to owner's manual. Keep viewing doors tightly closed during operation. Keep viewing and ash removal doors tightly closed during operation.

Conforme à la norme ASTM E1509-12 Std. Certifié à l'ULC S628-93. Room Heating Pellet Burning Type. (UM) 84-HUD POUR USAGE UNIQUEMENT AVEC LE BOIS PÉLÉTIÉ. Ne pas utiliser d'autres types de combustible.

Puissance de Rendement: 50,775 Btu/hr. Puissance Électrique: 115 VAC, 60 Hz. Début 2.9 Amps, Courant 2.45 Amps. Éloignez le câble électrique de l'appareil. Ne pas passer le fil électrique au dessus ou en dessous de l'appareil.

**DANGER:** Risque de choc électrique. Déconnectez l'alimentation électrique avant de procéder à la maintenance. Remplacez le verre uniquement avec une vitre céramique de 5 mm disponible chez votre fournisseur. Pour démarrer, tournez le bouton de commande sur la position désirée et réglez le thermostat au-dessus de la température ambiante. Pour éteindre, tournez le bouton de réglage sur la position d'arrêt ou réglez le thermostat en dessous de la température ambiante. Pour des instructions supplémentaires, consultez le manuel du propriétaire. Gardez les portes d'ouverture et la porte des cendres fermées pendant l'opération.

**MINIMUM CLEARANCES TO COMBUSTIBLE MATERIALS / CLÉS MINIMUM DES MATÉRIEAUX COMBUSTIBLES**

**AS A BUILT-IN UNIT / COMME APPAREIL INTÉGRÉ**

A Top of Hopper / Haut de la trémie	3 in [76mm]
B Side of Outside Skin / Côte de l'extérieur	2 in [51mm]
C Vent Pipe to Combustible / Des Conduits de Vent à Combustible	3 in [76mm]
D Cast Side to Side Wall / Moulage à la Paroi	6 in [152mm]

**MASONRY OR ZERO CLEARANCE / DÉGAGEMENT DE LA MAÇONNERIE OU DÉGAGEMENT ZÉRO\***

A Cast Side to Side Wall / Moulage Side à Wall Side	6 in [152 mm]
B Insert top to face trim / Insérez le dessus de la garniture de façade	0 in [0 mm]
C Insert side to face trim / Insérez le côté de la garniture de façade	0 in [0 mm]
D Hearth extension from door opening / Prolongement d'être depuis l'ouverture de la porte devant	6 in [152 mm]
E Hearth extension from side of door opening / Prolongement d'être depuis le côté de l'ouverture de la porte	6 in [152 mm]

Manufactured by/Fabrique par

**HEARTH & HOME**

352 Mountain House Road, Halifax, PA 17032  
www.quadrafire.com

This wood heater needs periodic inspection and repair for proper operation. Consult the owner's manual for further information. It is against federal regulations to operate this wood heater in a manner inconsistent with the operating instructions in the owner's manual.

**U.S. ENVIRONMENTAL PROTECTION AGENCY**  
Certified to comply with 2000 particulate standards at 0.14 GHR.  
Tested under ASTM E2515, ASTM E2779, and CSA 84.15-1-10

2018  2019  2020  JAN  FEB  MAR  APR  MAY  JUN  JUL  AUG  SEP  OCT  NOV  DEC

MTH-E2-C  TREKKER-I

Fabriqué aux États-Unis-d'Amérique par des pièces d'origine américaine et pièces importées.  
DO NOT REMOVE THIS LABEL / NE PAS ENLEVER L'ÉTIQUETTE

Serial No.  
Model Number

Mfg. Date



**Safety Alert Key:**

- **DANGER!** Indicates a hazardous situation which, if not avoided will result in death or serious injury.
- **WARNING!** Indicates a hazardous situation which, if not avoided could result in death or serious injury.
- **CAUTION!** Indicates a hazardous situation which, if not avoided, could result in minor or moderate injury.
- **NOTICE:** Indicates practices which may cause damage to the appliance or to property.

## **TABLE OF CONTENTS**

A. Sample of Serial Number / Safety Label . . . . . 2  
 B. Warranty Policy . . . . . 4  
 C. Quick Start Guide. . . . . 6

### **1 Listing and Code Approvals**

A. Appliance Safety Certification . . . . . 7  
 B. Appliance Emissions Certification . . . . . 7  
 C. BTU & Efficiency Specifications. . . . . 7  
 D. Glass Specifications. . . . . 8  
 E. Electrical Rating . . . . . 8  
 F. Mobile Home Approved . . . . . 8  
 G. Sleeping Room . . . . . 8  
 H. California - Prop65. . . . . 8

### **2 Operating Instructions**

A. Fire Safety . . . . . 9  
 B. Non-Combustible Materials . . . . . 9  
 C. Combustible Materials . . . . . 9  
 D. Fuel Material and Fuel Storage . . . . . 9  
 E. Before Your First Fire . . . . . 10  
 F. Filling the Hopper . . . . . 10  
 G. User Interface . . . . . 10  
 H. Startup . . . . . 10  
 I. Firepot Purge. . . . . 11  
 J. Shutdown . . . . . 11  
 K. Fire Characteristics . . . . . 11  
 L. Your Pellet Appliance’s General Operating Parts . . . 11  
 M. Restarting the Appliance . . . . . 11  
 N. Clear Space . . . . . 12  
 O. Tuning . . . . . 12  
 P. Frequently Asked Questions. . . . . 13

### **3 Maintenance and Service**

A. Proper Shutdown Procedure..... 14  
 B. Quick Reference Maintenance Chart..... 14  
 C. General Maintenance and Cleaning ..... 15  
 D. Soot or Creosote Fire Awareness ..... 18  
 E. High Ash Fuel Content Maintenance..... 19  
 F. Baffle Removal ..... 19  
 G. Glass Replacement ..... 19  
 H. Convection Blower Replacement..... 20  
 I. Combustion/Exhaust Blower Replacement ..... 20

### **4 Troubleshooting Guide**

A. General Appliance Troubleshooting ..... 21  
 B. User Interface Display Troubleshooting ..... 23  
 C. User Interface Alarm Troubleshooting..... 24

### **5 Reference Materials**

A. Component Functions..... 25  
 B. Service and Maintenance Log..... 27  
 C. Parts List..... 28

## B. Warranty Policy

### Hearth & Home Technologies LIMITED LIFETIME WARRANTY

Hearth & Home Technologies, on behalf of its hearth brands (“HHT”), extends the following warranty for HHT gas, wood, pellet and electric hearth appliances that are purchased from an HHT authorized dealer.

#### **WARRANTY COVERAGE:**

HHT warrants to the original owner of the HHT appliance at the site of installation, and to any transferee taking ownership of the appliance at the site of installation within two years following the date of original purchase, that the HHT appliance will be free from defects in materials and workmanship at the time of manufacture. After installation, if covered components manufactured by HHT are found to be defective in materials or workmanship during the applicable warranty period, HHT will, at its option, repair or replace the covered components. HHT, at its own discretion, may fully discharge all of its obligations under such warranties by replacing the product itself or refunding the verified purchase price of the product itself. The maximum amount recoverable under this warranty is limited to the purchase price of the product. This warranty is subject to conditions, exclusions and limitations as described below.

#### **WARRANTY PERIOD:**

Warranty coverage for consumers begins at the date of installation. In the case of new home construction, warranty coverage begins on the date of first occupancy of the dwelling or six months after the sale of the product by an independent, authorized HHT dealer/distributor, whichever occurs earlier. However, the warranty shall commence no later than 24 months following the date of product shipment from HHT, regardless of the installation or occupancy date. The warranty period for parts and labor for covered components is produced in the following table.

The term “Limited Lifetime” in the table below is defined as: 20 years from the beginning date of warranty coverage for gas appliances, and 10 years from the beginning date of warranty coverage for wood and pellet appliances. These time periods reflect the minimum expected useful lives of the designated components under normal operating conditions.

Warranty Period		HHT Manufactured Appliances and Venting					
Parts	Labor	Gas	Pellet	Wood	Electric	Venting	Components Covered
1 Year		X	X	X	X	X	All parts including handles, external enameled components and other material except as covered by Conditions, Exclusions, and Limitations listed
2 years			X	X			Igniters, Auger Motors, Electronic Components, and Glass
		X					Electrical components limited to modules, remotes/wall switches, valves, pilots, blowers, junction boxes, wire harnesses, transformers and lights (excluding light bulbs)
		X		X			Molded Refractory Panels, Glass Liners
3 years			X				Firepots, burnpots, mechanical feeders/auger assemblies
5 years	1 year	X					Vent Free Burners, Vent Free Logs
			X	X			Castings, Medallions and Baffles
6 years	3 years			X			Catalyst - Limitations Listed
7 years	3 years		X	X			Manifold tubes, HHT Chimney and Terminations
10 years	1 year	X					Burners, logs and refractory
Limited Lifetime	3 years	X	X	X			Firebox and heat exchanger, FlexBurn® System (engine, inner cover, access cover and fireback)
1 Year	None	X	X	X	X	X	All replacement parts beyond warranty period

See conditions, exclusions and limitations on the next page



### **WARRANTY CONDITIONS:**

- This warranty only covers HHT appliances that are purchased through an HHT authorized dealer or distributor. A list of HHT authorized dealers is available on the HHT branded websites.
- This warranty is only valid while the HHT appliance remains at the site of original installation.
- This warranty is only valid in the country in which the HHT authorized dealer or distributor that sold the appliance resides.
- Contact your installing dealer for warranty service. If the installing dealer or distributor is unable to provide necessary parts, contact the nearest HHT authorized dealer or supplier. Additional service fees may apply if you are seeking warranty service from a dealer other than the dealer from whom you originally purchased the product.
- Check with your dealer in advance for any costs to you when arranging a warranty call. Travel and shipping charges for parts are not covered by this warranty.
- Limited Catalyst Warranty
  - For wood burning products containing a catalyst, the catalyst will be warranted for a six-year period to the original purchaser at the site of original installation. The purchaser must provide the name, address, and telephone number of the location where the product is installed, proof of original purchase date, date of failure, and any relevant information regarding the failure of the catalyst.

### **WARRANTY EXCLUSIONS:**

This warranty does not cover the following:

- Changes in surface finishes as a result of normal use. As a heating appliance, some changes in color of interior and exterior surface finishes may occur. This is not a flaw and is not covered under warranty.
- Damage to printed, plated, or enameled surfaces caused by fingerprints, accidents, misuse, scratches, melted items, or other external sources and residues left on the plated surfaces from the use of abrasive cleaners or polishes.
- Repair or replacement of parts that are subject to normal wear and tear during the warranty period are not covered. These parts include: paint, wood and pellet gaskets, firebricks, grates, flame guides, batteries and the discoloration of glass.
- Expansion, contraction, or movement of certain parts causing noise. These conditions are normal and complaints related to this noise are not covered by this warranty.
- Damages resulting from: (1) failure to install, operate, or maintain the appliance in accordance with the installation instructions, operating instructions, and listing agent identification label furnished with the appliance; (2) failure to install the appliance in accordance with local building codes; (3) shipping or improper handling; (4) improper operation, abuse, misuse, continued operation with damaged, corroded or failed components, accident, or improperly/incorrectly performed repairs (5) environmental conditions, inadequate ventilation, negative pressure, or drafting caused by tightly sealed constructions, insufficient make-up air supply, or handling devices such as exhaust fans or forced air furnaces or other such causes; (6) use of fuels other than those specified in the operation instructions; (7) installation or use of components not supplied with the appliance or any other components not expressly authorized and approved by HHT; (8) modification of the appliance not expressly authorized and approved by HHT in writing; and/or (9) interruptions or fluctuations of electrical power supply to the appliance.
- Non-HHT venting components, hearth connections or other accessories used in conjunction with the appliance.
- Any part of a pre-existing fireplace system in which an insert or a decorative gas appliance is installed.
- HHT's obligation under this warranty does not extend to the appliance's capability to heat the desired space. Information is provided to assist the consumer and the dealer in selecting the proper appliance for the application. Consideration must be given to the appliance location and configuration, environmental conditions, insulation and air tightness of the structure.

#### **This warranty is void if:**

- The appliance has been over-fired, operated in atmospheres contaminated by chlorine, fluorine, or other damaging chemicals. Over-firing can be identified by, but not limited to, warped plates or tubes, deformation/warping of interior cast iron structure or components, rust colored cast iron, bubbling, cracking and discoloration of steel or enamel finishes.
- The appliance is subjected to prolonged periods of dampness or condensation.
- There is any damage to the appliance or other components due to water or weather damage which is the result of, but not limited to, improper chimney or venting installation.

### **LIMITATIONS OF LIABILITY**

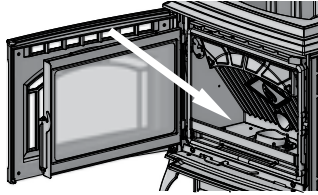
- The owner's exclusive remedy and HHT's sole obligation under this warranty, under any other warranty, express or implied, or in contract, tort or otherwise, shall be limited to replacement, repair, or refund, as specified above. In no event will HHT be liable for any incidental or consequential damages caused by defects in the appliance. Some states do not allow exclusions or limitation of incidental or consequential damages, so these limitations may not apply to you. This warranty gives you specific rights; you may also have other rights, which vary from state to state. EXCEPT TO THE EXTENT PROVIDED BY LAW, HHT MAKES NO EXPRESS WARRANTIES OTHER THAN THE WARRANTY SPECIFIED HEREIN. THE DURATION OF ANY IMPLIED WARRANTY IS LIMITED TO DURATION OF THE EXPRESSED WARRANTY SPECIFIED ABOVE.

## QUICK START GUIDE

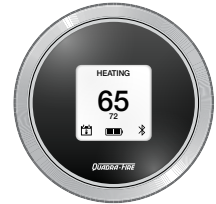
\*Before you plug in this appliance, follow these instructions\*

### Set Up

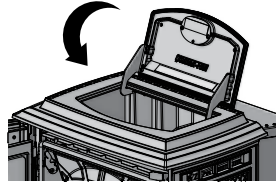
1. Empty fire box of component packet and any other debris.



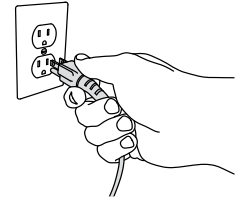
3. Install user interface per instructions.



2. Add pellets and close lid.

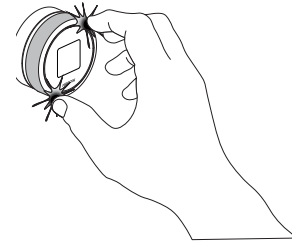


4. Plug in the appliance (*exhaust blower will run for about 45 seconds, wait for it to stop before moving to manual feed*).



### Manual Feed

5. From the OFF home screen press and hold the outer ring for 3 seconds to access the main menu.
6. Rotate to MANUAL FEED from the main menu and press outer ring to select.
7. Rotate to ON, then press outer ring to start.



- The screen will display FEEDING; either wait for MANUAL FEED to complete or press OFF to cancel feeding.
- When MANUAL FEED completes the user interface will automatically set POWER to ON and return to the home screen.
- Refer to Quadra-Fire Wireless User Interface manual for more information.

**NOTE:** The MANUAL FEED menu option is only available when your home screen reads OFF.

**NOTE:** MANUAL FEED is required during initial set up of the unit, or after the unit has alarmed out due to an empty hopper.

### Operation

#### Set Temperature

8. From the home screen press the outer ring to access the set temperature; rotate clockwise to raise the temperature and counterclockwise to lower the temperature.



**NOTE:** Refer to the Quadra-Fire Wireless User Interface manual for more information.

# 1 Listing and Code Approvals

## A. Appliance Safety Certification

<b>Model Number:</b>	TREKKERI-MBK, TREKKERI-PMH and TREKKERI-TWL
<b>Laboratory:</b>	OMNI Test Laboratories, Inc.
<b>Report Number:</b>	061-S-84-2
<b>Type:</b>	Solid Fuel Room Appliance, Pellet Fuel Burning Type
<b>Standard:</b>	ASTM E1509-12, ULC S628-93 and 84-HUD, Mobile Home Approved.
<b>FCC:</b>	Complies with Part 15 of FCC Rules. Operation is subject to the following two conditions: (1) this device may not cause harmful interference, and (2) this device must accept any interference received, including interference that may cause undesired operation.

## B. Appliance Emissions Certification

<b>Model Number:</b>	TREKKERI-MBK, TREKKERI-PMH and TREKKERI-TWL
<b>Laboratory:</b>	OMNI Test Laboratories, Inc.
<b>Report Number:</b>	0061PS094E
<b>Standard:</b>	ASTM E1509-12. ASTM E2779 and CSA B415.1-10.
<b>Can be found at:</b>	<a href="http://www.quadrafire.com/about-us/epa-certification">www.quadrafire.com/about-us/epa-certification</a>

The TREKKERI-MBK, TREKKERI-PMH and TREKKERI-TWL are Certified to comply with 2020 particulate emission standards.



## C. BTU & Efficiency Specifications

<b>EPA Certification Number:</b>	Number: 98-17
<b>EPA Certified Emissions:</b>	.74 g/hr
<b>*LHV Tested Efficiency:</b>	83.2%
<b>**HHV Tested Efficiency:</b>	77.9%
<b>***EPA BTU Output:</b>	12,682 to 39,428 / hr
<b>****BTU Input:</b>	16,396 to 50,775 / hr
<b>Vent Size:</b>	3" or 4" Type "L" or "PL"
<b>Hopper Capacity:</b>	52 lbs.
<b>Fuel:</b>	Premium Wood Pellets
* Weighted average LHV (Low Heating Value) efficiency using data collected during EPA emissions tests in accordance with the requirements of CSA B415.1.	
** Weighted average HHV (High Heating Value) efficiency using data collected during EPA emissions tests in accordance with the requirements of CSA B415.1.	
*** A range of BTU outputs calculated using HHV efficiency and the burn rates from the EPA tests.	
**** Based on the maximum feed rate per hour multiplied by approximately 8600 BTU's which is the average BTU's from a pound of pellets.	

This pellet appliance needs periodic inspection and repair for proper operation. It is against federal regulations to operate this pellet appliance in a manner inconsistent with the operating instructions in the owner's manual.

**NOTICE:** This installation must conform with local codes. In the absence of local codes you must comply with the **ASTM E1509-12, ULC S628-93, (UM) 84-HUD and ULC/ORD-C-1482.**

## D. Glass Specifications

This appliance is equipped with 5mm ceramic glass. Replace glass only with 5mm ceramic glass. Please contact your dealer for replacement glass.

## E. Electrical Rating

115 VAC, 60 Hz, Start 2.9 Amps, Run 2.45 Amps

## F. Mobile Home Approved

- This appliance is approved for mobile home installations when not installed in a sleeping room and when an outside combustion air inlet is provided.
- The structural integrity of the mobile home floor, ceiling, and walls must be maintained.
- The appliance must be properly grounded to the frame of the mobile home and use only Listed pellet vent Class "L" or "PL" connector pipe.
- Outside Air Kit (OAK-3) must be installed in a mobile home installation.

## G. Sleeping Room

When installed in a sleeping room it is recommended that 3ft of vertical be installed prior to horizontally exiting the room and a smoke/CO alarm be installed in the bedroom. The size of the room must be at least 50ft<sup>2</sup> per 1,000 Btu/hr stove input, if the stove exceeds the room size, out air must be installed.

## H. California - Prop65



### WARNING

This product and the fuels used to operate this product (wood), and the products of combustion of such fuels, can expose you to chemicals including carbon black, which is known to the State of California to cause cancer, and carbon monoxide, which is known to the State of California to cause birth defects or other reproductive harm. For more information go to: [WWW.P65Warnings.ca.gov](http://WWW.P65Warnings.ca.gov)



### WARNING



#### Fire Risk.

Hearth & Home Technologies disclaims any responsibility for, and the warranty will be voided by, the following actions:


- Installation and use of any damaged appliance.
  - Modification of the appliance.
  - Installation other than as instructed by Hearth & Home Technologies.
  - Installation and/or use of any component part not approved by Hearth & Home Technologies.
  - Operating appliance without fully assembling all components.
  - Operating appliance without legs attached (if supplied with unit).
  - Do NOT Over fire - If appliance or chimney connector glows, you are over firing.
- Any such action that may cause a fire hazard.


Improper installation, adjustment, alteration, service or maintenance can cause injury or property damage.

For assistance or additional information, consult a qualified installer, service agency or your dealer.

**NOTE:** Hearth & Home Technologies, manufacturer of this appliance, reserves the right to alter its products, their specifications and/or price without notice.

# 2 Operating Instructions

**WARNING**



**Fire Risk.**

- Do not operate appliance before reading and understanding operating instructions.
- Failure to operate appliance properly may cause a house fire.

Visit [www.quadrafire.com/shopping-tools/videos](http://www.quadrafire.com/shopping-tools/videos) to view product and use & care videos.

## A. Fire Safety

To provide reasonable fire safety, the following should be given serious consideration:

- Install at least one smoke detector on each floor of your home.
- Install at least one carbon monoxide detector on each floor of your home.
- Locate smoke detector away from the heating appliance and close to the sleeping areas.
- Follow the smoke detector manufacturer's placement and installation instructions and maintain regularly.
- Follow the carbon monoxide manufacturer's placement and installation instructions and maintain regularly.
- Conveniently locate a Class A fire extinguisher to contend with small fires.
- In the event of a hopper fire:
  - Evacuate the house immediately.
  - Notify fire department.

## B. Non-Combustible Materials

Material which will not ignite and burn, composed of any combination of the following:

- Steel
- Plaster
- Glass
- Tile
- Brick
- Iron
- Slate
- Concrete

Materials reported as passing **ASTM E 136, Standard Test Method for Behavior of Metals, in a Vertical Tube Furnace of 750° C.**

## C. Combustible Materials

Material made of/or surfaced with any of the following materials:

- Compressed Paper
- Wood
- Plywood/OSB
- Sheet Rock (drywall)
- Plastic
- Plant Fibers

**Any material that can ignite and burn:** flame proofed or not, plastered or non-plastered.

## D. Fuel Material and Fuel Storage

Pellet fuel quality can greatly fluctuate. We recommend that you buy fuel in multi-ton lots whenever possible. However, we do recommend trying various brands before purchasing multi-ton lots to ensure your satisfaction.

### Fuel Material

- Made from sawdust or wood by-products
- Depending on the source material it may have a high or low ash content.

### Higher Ash Content Material

- Hardwoods with a high mineral content
- Fuel that contains bark
- Standard grade pellets or high ash pellets

### Lower Ash Content Material

- Most softwoods
- Fuels with low mineral content
- Most premium grade pellets

### Clinkers

Minerals and other non-combustible materials such as sand will turn into a hard, glass-like substance called a clinker when heated in the firepot.

Trees from different areas will vary in mineral content. That is why some fuels produce more clinkers than others.

### Moisture


Always burn dry fuel. Burning fuel with high moisture content takes heat from the fuel and tends to cool the appliance, robbing heat from your home. Damp pellet fuel can clog the feed system.

### Size

- Pellets are either 1/4 inch or 5/16 inch (6-8mm) in diameter
- Length should be no more than 1-1/2 inches (38mm)
- Pellet lengths can vary from lot to lot from the same manufacturer
- Due to length variations, the feed rate may need adjusting occasionally

### Performance

- Higher ash content requires the firepot and the ash drawer to be emptied more frequently
- Hardwoods require more air to burn properly
- Premium wood pellets produce the highest heat output
- Burning pellets longer than 1-1/2 inches (38mm) can cause an inconsistent fuel feed rate and/or missed ignitions or feed jams.


	<b>CAUTION</b>
Tested and approved for wood pellets. Burning of any other type of fuel voids your warranty.	

### Storage

- Wood pellets should be left in their original sealed bag until using to prevent moisture absorption
- Do not store any pellet fuel within the clearance requirements or in an area that would hinder routine cleaning and maintenance

### E. Before Your First Fire

1. First, make sure your appliance has been properly installed and that all safety requirements have been met. Pay particular attention to the fire protection and venting.
2. Double check that the firebox is empty and the firepot floor is fully closed.
3. Close and latch the door.

	<b>CAUTION</b>
<b>Odors and vapors released during initial operation.</b>	
<ul style="list-style-type: none"><li>• Curing of high temperature paint.</li><li>• Open windows for air circulation.</li><li>• Odors may be irritating to sensitive individuals.</li></ul>	

### F. Filling the Hopper

Open the hopper lid by lifting the handle. Fill the hopper with fuel. Close the hopper lid. The unit will not feed with the hopper lid open and the fire will go out.

### G. User Interface

The appliance comes with a user interface and Bluetooth key, both need to be connected for the appliance to operate. Reference user interface manual supplied for installation and operation instructions (**Figure 10.1**).

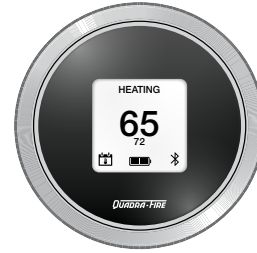


Figure 10.1

### H. Startup

The unit will go into the ignition sequence followed by a start up sequence (the user interface will read startup).

The ignition sequence involves the exhaust blower and igniter turning on, and the feed motor running in two stages. The first stage involves the feed motor running continuously for about a minute to start loading pellets into the firepot. In the second stage, the feed motor will begin cycling on and off.

When the pellets are warming - on the verge of igniting - it is not uncommon for the firebox to fill with smoke.

Once ignition happens, the smoke should quickly disappear. During this stage, as well as any part during the burn process, the front door should not be opened.

This startup cycle continues until the unit senses ignition by a rise in the exhaust temperature or the unit times out. Following the ignition cycle the unit continues to feed pellets to build up the fire.

After warming up, the convection blower will begin to blow warm air into the room. As the appliance increases heat the blower will increase its output.



## I. Firepot Purge

**Purpose:** To help remove debris from the firepot and help the unit burn as efficient as possible.

The frequency of the purge cycle is once every 30 minutes while the unit is burning. During the firepot purge, the feed is reduced to the lowest setting and the exhaust blower ramps up to a very high setting. The purge cycle lasts 99 seconds.

The purge cycle does not replace daily cleaning.



### CAUTION

HOT WHILE IN OPERATION. KEEP CHILDREN, CLOTHING AND FURNITURE AWAY. CONTACT MAY CAUSE SKIN BURNS.

## J. Shutdown

To shut the appliance down, turn the user interface to OFF from the main menu. During the shutdown process, the user interface will read shutdown. Once shutdown is established the user interface will read standby.

Unlike the firepot purge, during shutdown existing fuel in the firepot will continue to burn without the feed motor running; but, the exhaust and convection blowers will remain on until the exhaust has cooled.

**NOTE:** If maintenance or daily cleaning is going to be conducted immediately following a shutdown, please use caution as components especially those inside the firebox may still be hot.

## K. Fire Characteristics

The overall height of the flame will vary throughout the burn for a couple of reasons:

1. The flame will vary based on type of fuel or batch of fuel.
2. The unit adjusts the burn rate according to the dial setting – the further the dial is rotated clockwise the higher the flame and consequently, heat output.
3. General maintenance and cleaning. Infrequent or poor general maintenance will result in poorer performance. Indicators for additional maintenance activities include:
  - Lazy flame
  - Black-sooted glass
  - Pellets not igniting
  - Excess pellets falling to the side of the firepot
4. See trim adjustment section for additional information.

**NOTICE:** If you expect children to come into contact with this appliance, we recommend a barrier such as a decorative screen. See your retailer for suggestions.

## L. Your Pellet Appliance's General Operating Parts

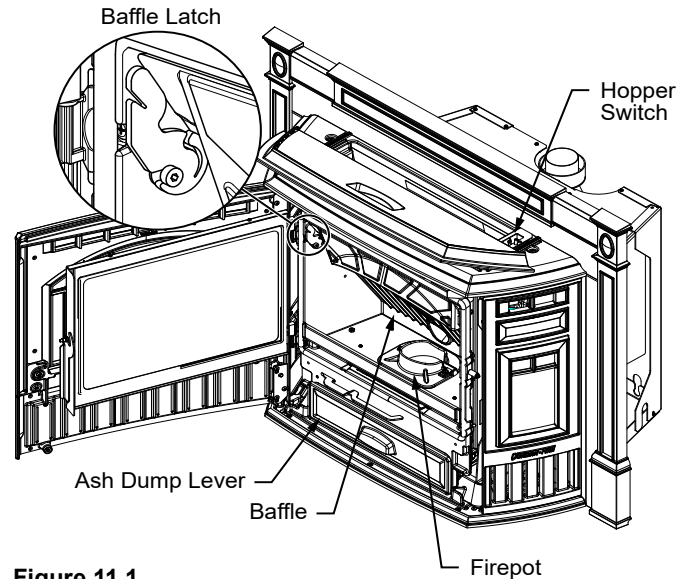


Figure 11.1

## M. Restarting the Appliance

### Restart Process:

1. When the unit has run out of fuel and the "feed error" code is displayed, add pellet fuel to the hopper.
2. Dump the ashes and clinkers built up in the firepot by pulling the ash dump removal handle out several times. Make sure clinkers have dropped into the ash pan then return the handle to fully closed position.
3. If needed perform a manual feed; refer to section on manual feed.

### Restarting After a Power Failure:

1. For an electrical disruption the appliance will start on its own without need for manual feed - providing the control system is asking for heat.
2. The appliance will always go through a normal shutdown sequence before restarting.



### WARNING



#### HOT SURFACES!

Glass and other surfaces are hot during operation AND cool down.

#### Hot glass will cause burns.



- Do not touch glass until it is cooled.
- NEVER allow children to touch glass.
- Keep children away.
- CAREFULLY SUPERVISE children in same room as appliance.
- Alert children and adults to hazards of high temperatures.
- High temperatures may ignite clothing or other flammable materials.
- Keep clothing, furniture, draperies and other flammable materials away.

## N. Clear Space

**NOTICE:** Clearances may only be reduced by means approved by the regulatory authority having jurisdiction.

### Mantel:

Avoid placing candles and other heat-sensitive objects on mantel or hearth. Heat may damage these objects.

 <b>WARNING</b>	
	<b>Fire Risk</b> <u>Do NOT operate appliance:</u> <ul style="list-style-type: none"><li>• With appliance door open.</li><li>• Firepot floor open.</li></ul>
	<u>Do NOT store fuel:</u> <ul style="list-style-type: none"><li>• Closer than required clearances to combustibles to appliance</li><li>• Within space required for loading or ash removal.</li></ul>

## O. Tuning

(Factory default setting is 5)

The function of tuning is to allow for variations in elevation, venting and installation configurations, and fuel types (hard wood/soft wood).

Rotating this dial will adjust the air/fuel ratio to the appliance:

- Increase the tuning number to increase the flame height.
- Decrease the tuning number to decrease flame height.
- Adjust 1 level at a time, allowing 15 minutes for fire to stabilize before making another adjustment.

A properly adjusted fire will have a bright, active flame pattern that extends out of the firepot approximately 6 to 9 inches when burning on high. A properly adjusted fire will burn cleaner and have higher efficiencies.

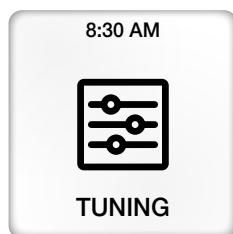


Figure 12.1

## P. Frequently Asked Questions

### **What causes my glass to become dirty?**

If the glass has white ash build up it is normal and the glass should be cleaned. If it is a black soot build up airflow through the unit may be restricted. The most often cause is overdue maintenance and cleaning. See **Maintaining and Servicing** on [page 14](#) and/or make adjustments to the trim control.

### **How can I get more heat out of the appliance?**

The most often cause of diminished heat output is overdue maintenance and cleaning. See **Maintaining and Servicing** on [page 14](#).

### **What should I do if I smell smoke or there is ash/soot coming from the appliance?**

While there will always be some smoke smell from wood burning appliances (including pellet) you should investigate all venting to make sure it is sealed properly. Most venting requires silicone to seal the seams.

In addition most homes are built very tight today and with exhaust systems can create negative pressure in the home. See **Negative Pressure** on [page 15](#) of the [installation manual](#). For ash or soot check the above and the exhaust blower housing and seals.

### **Why would my appliance run fine last winter but not start this fall?**

It is possible that the stove was not properly prepared for the Non-burn season; see **Troubleshooting Guide** starting [page 21](#).

### **Is there a place to lubricate the blowers to quiet them down?**

No. The most often cause of noisy blowers is from the impellers becoming dirty over time. See maintenance and service section for maintaining and servicing.

### **What is the metal object with the bend in it that came inside the plastic bag?**

It is a clean-out tool used to help clean the firepot and remove any jams in the rare event they occur in the feed tube.

### **Why is there a black residue building up on the outside of my home?**

Wind can cause this to happen. If the appliance is operating correctly very little soot should ever exit the termination cap. Check to be sure the venting is installed per the owner's manual and local codes.

### **Do I need an outside air kit?**

Outside air is required for mobile home installs and in some jurisdictions. Refer to **Listing & Code Approvals** on [page 7](#), **Mobile Home Installation** on [page 23](#) of the [installation manual](#) and **Appliance Set-up** on [page 19](#) of the [installation manual](#). Also refer to local building codes.

### **I am seeing sparks coming out of my pipe (termination cap) outside is this safe?**

This is normal. As long as clearances to combustibles were followed this is safe.

### **I have no power to anything. Does this unit have a circuit breaker or fuse or a reset button?**

This unit has one fuse on the control board and a resettable snap disc mounted to the feed tube. If the appliance overheats then the snap disc can be reset; if the fuse is blown the control board must be replaced.

### **Can I burn corn in my unit?**

No, this appliance is not approved to burn corn type fuel.

### **Where is the serial # located on my unit?**

The serial number is located on the back of the stove.



### **No pellets are dropping in my firepot.**

See **Troubleshooting Guide** starting on [page 21](#).

**Contact your dealer for additional information regarding operation and troubleshooting.  
Visit [www.quadrafire.com](http://www.quadrafire.com) to locate a dealer.**

# 3 Maintenance and Service

When properly maintained, your appliance will give you many years of trouble-free service. Contact your dealer to answer questions regarding proper operation, troubleshooting and service for your appliance. Visit [www.quadrafire.com/owner-resources](http://www.quadrafire.com/owner-resources) to view basic troubleshooting, FAQs, use & care videos. We recommend annual service by a qualified dealer.

	<b>CAUTION</b>
	<p><b>Shock and Smoke Hazard</b></p> <ul style="list-style-type: none"> <li>• Smoke spillage into room can occur if appliance is not cool before unplugging.</li> <li>• Risk of shock if appliance not unplugged before servicing appliance.</li> </ul>

## A. Proper Shutdown Procedure

Turn user interface OFF, let appliance completely cool and exhaust blower must be off. After cooling unplug appliance before servicing.

This pellet heater has a manufacturer-set minimum low burn rate that must not be altered. It is against federal regulations to alter this setting or otherwise operate this pellet heater in a manner inconsistent with operating instructions in this manual.

Follow the detailed instructions found in this section for each step listed as referenced in the chart below.

## B. Quick Reference Maintenance Chart

Cleaning or Inspection	Frequency		Daily	Weekly	Monthly	Yearly
Firepot	As needed	OR		X		
Ash Removal from Firebox	About 5 bags of fuel depending on ash build-up	OR		X		
Glass	When clear view of firepot becomes obscure	OR		X		
Hopper	Every ton of fuel (50 bags)	OR			X	
Exhaust Path, Drop Tube and Behind Baffles	Every ton of fuel (50 bags) or more frequently	OR			X	
Door Handle & Gasket Inspection	Prior to heating season	OR			X	
Blower, Convection	Every ton of fuel or more frequently depending on performance	OR			X	
Blower, Exhaust	Every ton of fuel or more frequently depending on performance	OR				X
Firebox - Prepare for Non-Burn Season	At end of heating season	OR				X
Venting System	Every 3 tons of fuel or more frequently depending on performance	OR				X

Table 14.1

**NOTICE:** These are recommendations. When burning high ash content pellet fuel or a/pellet mix you may need to clean the firepot several times a day. Clean the stove and firepot more frequently if you encounter heavy build-up of ash at the recommended interval or you see soot coming from the vent. Not properly cleaning your appliance on a regular basis will void your warranty.

## C. General Maintenance and Cleaning

### 1. Cleaning Firepot using Lever

- **Frequency:** Daily or as needed\*
- **By:** Homeowner
  - a. Be sure the appliance is allowed to cool.
  - b. Open cast face of appliance.
  - c. Pull firepot floor cleaning lever two times until the ash falls into the ash pan below (**Figure 15.1**).
  - d. It may be necessary to use your firepot clean-out tool to chip away material that has built up on the sides of the firepot and to push out any clinkers (**Figure 15.2**).
  - e. Larger clinkers may have to be removed from the top of the firepot.
  - f. If the clinker adheres to the sides of the firepot, you will need to manually clean the firepot. The firepot floor plate must be fully closed when finished.

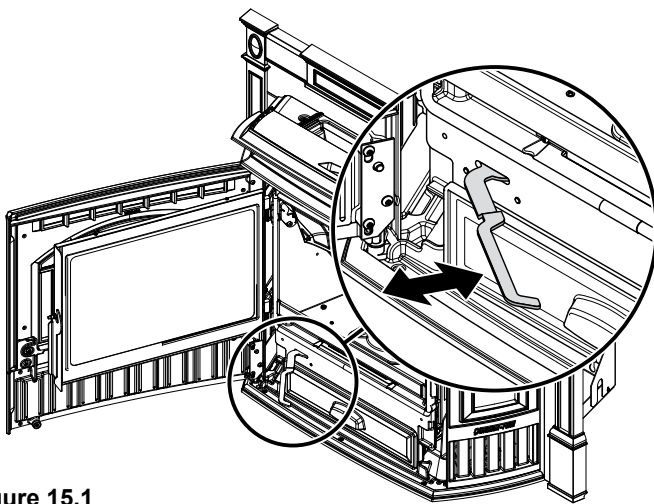


Figure 15.1

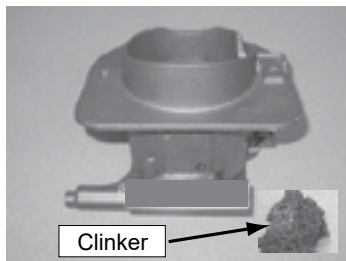


Figure 15.2 - Firepot with large clinker

### 2. Cleaning Ash Pan

- **Frequency:** Weekly or every 3-5 bags
- **By:** Homeowner
  - a. Locate the ash pan underneath the firepot.
  - b. Slide the ash pan straight out.
  - c. Empty into a non-combustible container and re-install ash pan.
  - d. When replacing ash pan push it back until it catches on the 2 side latches.

Clinkers filling the ash pan will have to be cleaned out more often than ash.

### 3. Ash Disposal

- **Frequency:** As needed
- **By:** Homeowner

Ashes should be placed in a steel container with a tight-fitting lid. The container of ashes should be moved outdoors immediately and placed on a non-combustible floor or on the ground, well away from combustible materials, pending final disposal.

If the ashes are disposed of by burial in soil or otherwise locally dispersed, they should be retained in the closed container until all cinders have thoroughly cooled. Other waste shall not be placed in this container.

### 4. Ash Removal from Firebox

- **Frequency:** Weekly or more frequently depending on ash build-up
- **By:** Homeowner
  - a. Be sure the appliance is allowed to cool.
  - b. There must not be any hot ashes in the firebox during cleaning.
  - c. Frequent cleaning of the ash in the firebox with a vacuum cleaner will help slow down the build-up of ash in the exhaust blower and vent system.



## WARNING

### RISK OF FIRE

Keep combustible materials, gasoline and other flammable vapors and liquids clear of appliance.



- Do NOT store flammable materials in the appliance's vicinity.
- Do NOT use gasoline, lantern fuel, kerosene, charcoal lighter fluid or similar liquids to start or "freshen up" a fire in this heater.

Keep all such liquids well away from the heater while it is in use as combustible materials may ignite.



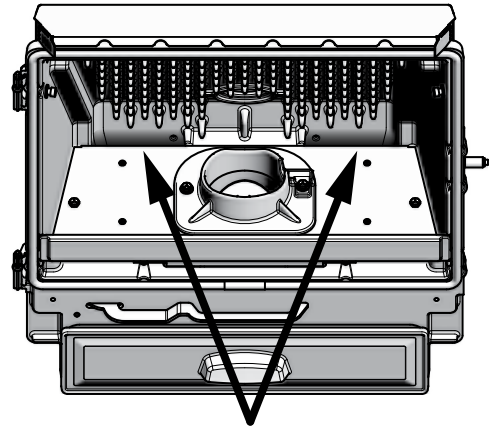
## 5. Cleaning Heat Exchanger & Drop Tube

- **Frequency:** Monthly or every ton of fuel (50 bags).
- **By:** Homeowner

**NOTE:** Heavy duty vacuum cleaners may be obtained, specifically designed for solid fuel appliance cleaning.

**Tools Needed:** A Shop Vacuum and generic micro cleaning kit; flat head screwdriver; bottle brush, and a 1/2" ID hose.

- It is necessary to remove the baffle to gain access to the heat exchanger (**Figure 16.2**); follow instructions for baffle removal (**Figure 19.2 on page 19**).
- Vacuum the ash from the heat exchanger with an upholstery brush to remove the majority of the ash. Be sure to vacuum the back of the baffle also. Inspect the drop tube and remove any residue build-up in the drop tube (**Figure 16.3**).
- Assemble the crevice tool from the micro cleaning kit to attach to a Shop Vac (**Figure 16.4**).
- Use the crevice tool to finish cleaning the heat exchanger fins. It is critical that the 2 exhaust exits at the back of the firebox floor (left and right) be thoroughly cleaned (**Figure 16.2**). There are several ways this can be done:
  - Use the crevice tool.
  - Attach a hose 1/2 inch (12.7mm) inside diameter and approximately 2 feet (607mm) in length to your vacuum hose.
  - Use a bottle brush and push the ash down to the bottom. Remove the combustion (exhaust) blower and then vacuum out the ash.



Exhaust exits must be thoroughly cleaned. Each exit is approximately 4 inches wide, 1 inch across, and 3 inches deep

Figure 16.1

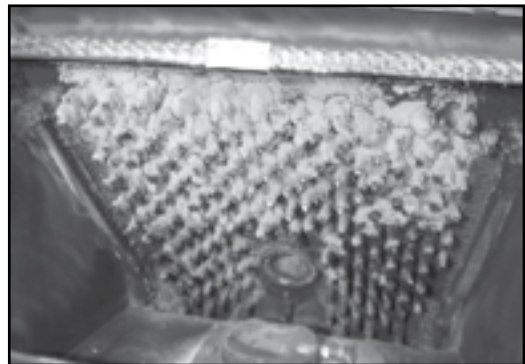


Figure 16.2 - Example of a dirty heat exchanger



Figure 16.3

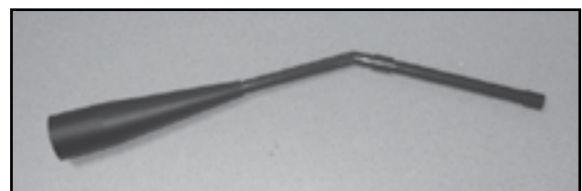


Figure 16.4



## WARNING



### Hopper Fire Risk!

For trouble free use of your pellet appliance you must perform cleaning as called for in these instructions. Not doing so will result in:

- Poor operating performance
- Smoke spillage into the home
- Overheating of components

Not properly cleaning your appliance on a regular basis will void your warranty.



**NOTE:** Shop Vacuum and Micro Cleaning Kit examples are items that can be purchased at your local hardware store.



**6. Ash Removal System Inspection & Cleaning**

- **Frequency:** Monthly or after burning 50 bags
- **By:** Homeowner
  - a. Be sure the appliance is allowed to cool.
  - b. Open the front cast door and cycle the ash removal handle - these should be inspected for functionality
  - c. Inspect for any degradation or deformation.
    - As the springs heat up and cool down they can lose tension
    - If there is a gap showing above the firepot bottom, approximately 1/16 inch (1.59mm) or more, it means the springs have lost their tension
    - Lost tension cannot keep the floor in the proper position causing ignition problems and fuel falling into the ash pan. If noted, call your dealer to replace the springs.

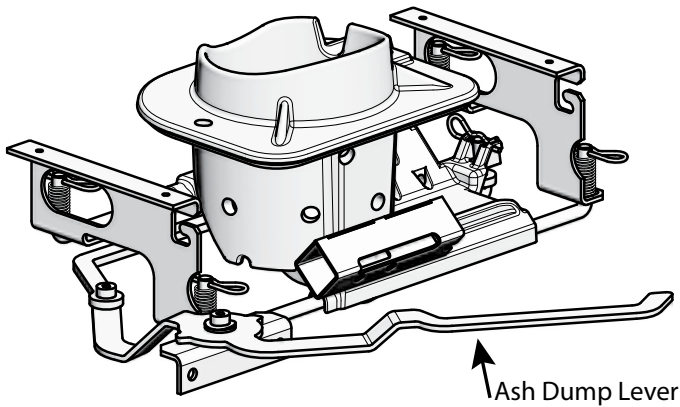




Figure 17.1


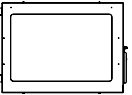
	<b>WARNING</b>
	<b>Risk of fire!</b> Do NOT store fuel: <ul style="list-style-type: none"><li>• Closer than required clearances to combustibles to appliance.</li><li>• Within space required for loading or ash removal</li></ul>


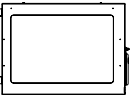
**8. Cleaning the Glass**

- **Frequency:** See chart on [page 14](#)
- **By:** Homeowner
  - a. Be sure the appliance is allowed to cool.
  - b. Clean glass with a non-abrasive commercially available cleaner. Wipe down with dry towel.

**9. Door Latch & Gasket Inspection**

- **Frequency:** See chart on [page 14](#)
  - **By:** Homeowner
- The door latch is non-adjustable but the gasket between the glass and firebox should be inspected periodically to make sure there is a good seal. If the gasket is frayed or damaged, replace with a new one.

	<b>CAUTION</b>
	<b>Handle glass assembly with care when cleaning glass door:</b> <ul style="list-style-type: none"><li>• Avoid striking, scratching or slamming glass.</li><li>• Do NOT clean glass when hot.</li><li>• Do NOT use abrasive cleaners.</li><li>• Use a hard water deposit glass cleaner on white film.</li></ul> Refer to maintenance instructions.

	<b>WARNING</b>
	<b>Handle glass doors with care.</b> <ul style="list-style-type: none"><li>• Inspect the gasket to ensure it is undamaged.</li><li>• Do NOT strike, slam or scratch glass.</li><li>• Do NOT operate appliance with glass door removed, cracked, broken or scratched.</li></ul>

**7. Cleaning the Hopper**

- **Frequency:** See chart on [page 14](#)
- **By:** Homeowner
  - a. Be sure the appliance is allowed to cool.
  - b. After burning approximately 1 ton of fuel you will need to clean the hopper to prevent sawdust and/or fines build-up.
  - c. A combination of sawdust/fines and pellets on the auger reduces the amount of fuel supply to the firepot.
  - d. This can result in nuisance shut downs and mis-starts
    - Empty the hopper of any remaining pellets.
    - Vacuum the hopper and feed tube.

## 10. Cleaning Exhaust System

(Requires No Lubrication)

- **Frequency:** See chart on [page 14](#)
- **By:** Homeowner
  - a. Be sure the appliance is allowed to cool.
  - b. Remove blower per replacement section instructions.
  - c. Use a soft brush and vacuum to clean the impeller.
  - d. Vacuum out exhaust path and housing (**Figure 18.1**).
  - e. Replace fan (make sure elect connections are fully assembled)

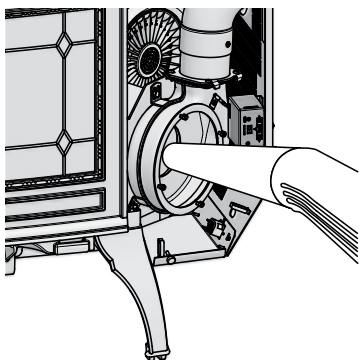


Figure 18.1

## 11. Cleaning Convection Blower

(Requires No Lubrication)

- **Frequency:** See chart on [page 14](#)
- **By:** Homeowner
  - a. Be sure the appliance is allowed to cool.
  - b. Remove blower per replacement section instructions.
  - c. Use a soft brush and vacuum to clean the blower wheel.

## 12. Cleaning the Top Vent Adapter

(If Installed)

- **Frequency:** As needed
- **By:** Homeowner
  - a. Be sure the appliance is allowed to cool.
  - b. Open the clean out cover.
  - c. Sweep out any ash build-up.

**NOTE:** This unit is required to be cleaned frequently because soot creosote and ash may accumulate.

## 13. Soot and Fly-ash: Formation & Need for Removal in Exhaust Venting System.

- **Frequency:** See chart on [page 14](#)
  - **By:** Qualified Service Technician and/or Homeowner
- The products of combustion will contain small particles of fly-ash. The fly-ash will collect in the exhaust venting system and restrict the flow of the flue gases. Incomplete combustion, such as occurs during startup, shutdown, or incorrect operation of the room heater will lead to some soot formation which will collect in the exhaust venting system.

**NOTE:** Ash will build up more quickly in the horizontal venting sections.

## 14. Preparing Firebox for Non-Burn Season

- **Frequency:** See chart on [page 14](#)
- **By:** Homeowner
  - a. The appliance must be in complete shutdown and allow the appliance to completely cool down.
  - b. Remove all ash from firebox and vacuum thoroughly.
  - c. To minimize corrosion, paint all exposed steel, including cast-iron. Use the Touch-Up paint supplied with the appliance or purchase paint from your local dealer. You must use a high-temperature paint made specifically for heating appliances.
  - d. Cleaning the flue at the end of the burn season will prevent corrosives to build-up and damage the flue.

## D. Soot or Creosote Fire Awareness

The chimney should be inspected periodically during the heating season to determine if a creosote build-up has occurred. If a significant layer of creosote has accumulated (1/8 inch [3mm] or more) it should be removed to reduce the risk of chimney fire.

Check daily for creosote build-up until experience shows how often you need to clean to be safe. Be aware that the hotter the fire the less creosote is deposited, and weekly cleaning may be necessary in the mild weather even though monthly cleaning may be enough in the coldest months. Contact your local municipal or provincial fire authority for information on how to handle a chimney fire.


**In the event of a soot or creosote fire, close the firebox door, exit the building immediately and contact the proper fire authorities.**

**DO NOT under any circumstances re-enter the building.**


## E. High Ash Fuel Content Maintenance

- **Frequency:** Daily
- **By:** Homeowner

If the ash build-up exceeds the half way point in the firepot or if clinkers are adhering to the sides of the firepot, the firepot floor is not being cycled enough.



### WARNING



**Risk of Fire and Smoke!**

- High ash fuels or lack of maintenance can cause firepot to overfill. Follow proper shutdown procedure if ash buildup exceeds half way point in firepot.
- Failure to do so could result in smoking, sooting and possible hopper fires.

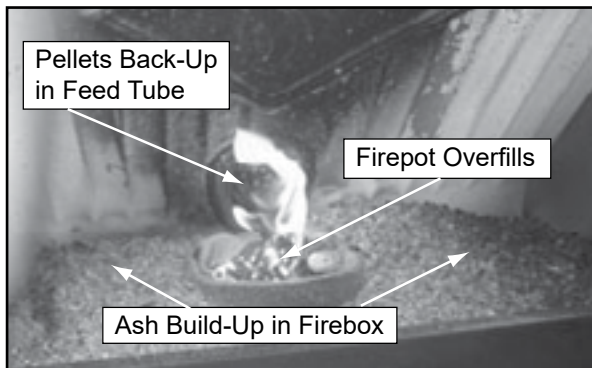




Figure 19.1

## F. Baffle Removal

1. The appliance must be in complete shutdown, completely cool and the exhaust blower off.
2. Open door.
3. The baffle is located at the top inside of firebox.
4. Remove baffle by placing a flat head screw driver into the slot of the latches located in the upper corners and rotate down. The bottom of the latch will fall forward off of the post. Lift the baffle up and then out toward you (Figure 19.2).
5. To replace the baffle, place the 2 locating ears behind the bottom edge and tilt the baffle up and into place.
6. The baffle must be centered in the firebox before latching it in place. If it is not centered the latch will slip between the baffle and side of the firebox instead of latching properly.
7. The bottom of the latches will fit over the posts. Using a screwdriver, rotate the top of the latch up to lock latch into place.



### WARNING



**Cast iron is a very heavy material.**  
The baffle is made of cast iron and therefore is heavy and awkward at times to maneuver. Clear and prepare your work area before you begin.

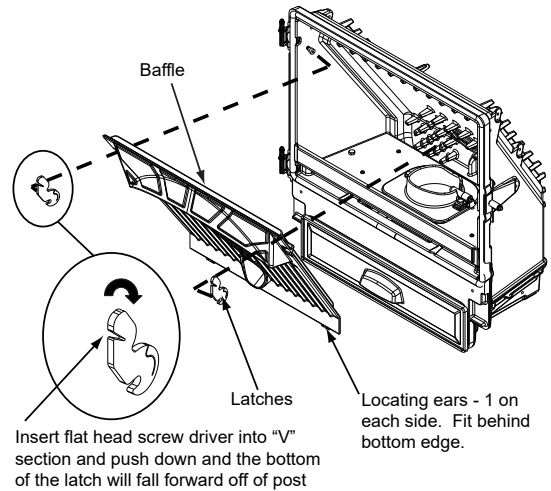




Figure 19.2

## G. Glass Replacement

1. Swing open the face and remove the door from the appliance by lifting the door off of the hinge pins and lay on a flat surface face down.
2. Using a Phillips head screw driver, remove 4 screws, 2 on the top and 2 on the bottom. Remove metal bracket and then remove the glass (Figure 19.3).
3. Replace with new glass with gasket.
4. Re-attach metal bracket with 4 screws.
5. Re-install door over hinge pins and close face.



### WARNING



- Glass is 5mm thick high temperature heat-resistant ceramic glass.
- **DO NOT REPLACE** with any other material.
- Alternate material may shatter and cause injury.

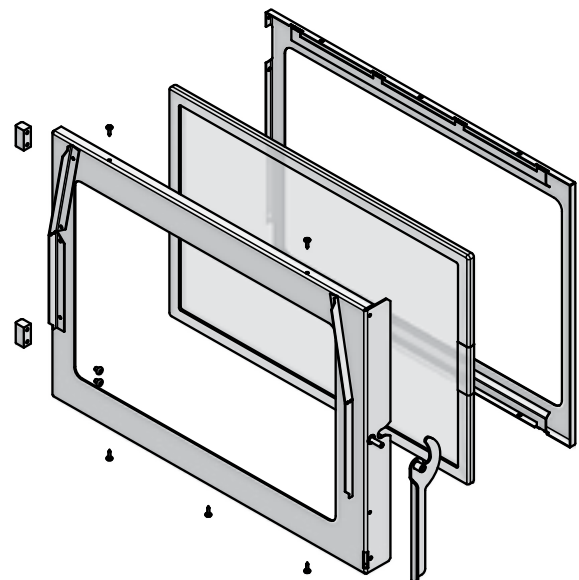


Figure 19.3

## H. Convection Blower Replacement

1. Follow the proper shut down procedures.
2. Remove the left side panel by loosening the 2 screws using a Phillips head screw driver or wrench (**Figure 20.1**).
3. Remove two lower sheet metal screws from the back panel to allow more clearance.
4. Disconnect the wire terminals.
5. Reach behind the blower and release the latch by pushing the top of the latch towards the blower (**Figure 20.1**).
6. Rock the top of the blower slightly and lift up. The blower will pass out the left side of the appliance.

**NOTE:** You may need to loosen the surround to move it out of the way.

7. Install replacement blower by placing the bottom flange into the opening first then rotate blower up into position.
8. When the blower is properly positioned the latch will engage the notch to hold the blower in place (**Figure 20.1**).
9. Re-connect wire terminals to the new blower.
10. Reposition and Re-secure the back panel.

**NOTE:** Make sure wires are connected prior to restarting the appliance. Failure to do so will result in the (side-mounted) safety thermal snap disc tripping resulting in cutting power to the appliance feed system.

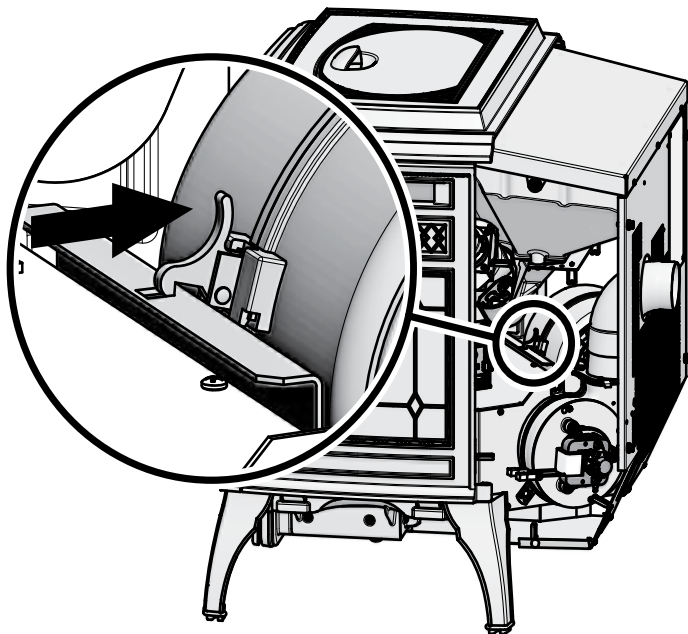


Figure 20.1

## I. Combustion/Exhaust Blower Replacement

1. Follow the proper shut down procedures.
2. Remove the right side panel by loosening the 2 screws using a Phillips head screw driver or wrench (**Figure 20.2**).
3. It is not necessary or recommended to remove the housing to replace or service the combustion blower. You only need to remove the motor and impeller.
4. Disconnect the wire from the control board connection and hall effect switch/housing.
5. Using a 7mm socket wrench or nut driver, loosen the nuts securing the motor and impeller to the housing.
6. Holding the motor, rotate the mounting plate counter-clockwise and remove motor and impeller.
7. If the gasket between housing and motor is damaged it will have to be replaced. A gasket is included with the replacement blower.
8. Re-install in reverse order.

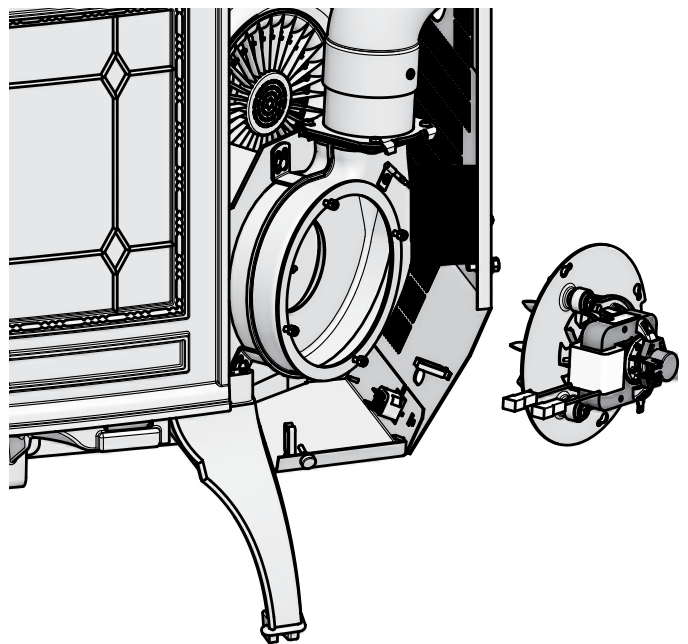


Figure 20.2

# 4 Troubleshooting Guide

## A. General Appliance Troubleshooting

With proper installation, operation, and maintenance your appliance will provide years of trouble-free service. If you do experience a problem, this troubleshooting guide will assist a qualified service person in the diagnosis of a problem and the corrective action to be taken. This troubleshooting guide can only be used by a qualified service technician.

SYMPTOM	POSSIBLE CAUSE	CORRECTIVE ACTION
Plug in appliance - No response (Approx wait 45 seconds of diagnostics)	No Power to outlet.	Check circuit breaker at service panel.
	5 amp fuse blown	Replace control board - don't replace fuse
	Snap disc tripped or defective.	Reset or replace snap disc.
Unit will not light	No Fuel	Check hopper; load with wood pellets
	Vacuum switch not closing; no vacuum	Check vacuum switch wires are installed
		Check vacuum hose is connected to switch and feed tube port and is in good condition
		Make sure venting system is clean
		Make sure front door is closed
		Check vacuum tube for blockage or restrictions/kink
		Check combustion blower; is it running and are the wires connected.
	Hopper lid open	Close hopper lid
	Hopper switch not functioning	Check hopper switch operation
		Check hopper switch wires for integrity
		Check hopper lid on correctly
		Check hopper lid magnet is installed
	Safety snap disc is tripped/not functioning	Check to make sure convection blower wires are connected and reset snap disc (located on RH side of appliance)
		Clean & inspect convection blower and convection air path.
		Replace snap disc
		Check convection blower wires
	Feed System is jammed	Inspect and remove jam from the feed assembly
	Feed motor not plugged in	Reconnect feed motor
	Igniter not plugged in	Connect the igniter wires
	Defective igniter	Replace igniter
Firepot plugged-up / dirty	Clean firepot and movable floor	
	Remove ash from the ash pan	
User interface is set to "OFF"	Set power to on.	
Fire starts but goes out	Dirty firepot, exhaust path, and/or venting plugged	Clean firepot and movable floor Inspect and clean exhaust path and venting
		Clean firebox, exhaust path, and venting (including behind baffle)
	Exhaust sensor cannot read temperature or is loose	Secure the exhaust probe to exhaust blower housing – keeping its wire away from hot surfaces
	Exhaust plenum is dirty	Clean exhaust path to plenum
Exhaust probe is defective (error code may result)	Check for probe wire integrity and/or replace defective exhaust probe securing the exhaust probe to exhaust blower housing – keeping its wire away from hot surfaces	

Table 21.1

SYMPTOM	POSSIBLE CAUSE	CORRECTIVE ACTION
Appliance starts and stops frequently	Area where the user interface is placed affects temperature.	Check thermostat proximity to doors and windows
	User interface located in tight spaces effecting the on/off cycling of the appliance.	Inspect user interface location and make sure it is not close to a surface that heats and cools quickly.
Slow or smoky start-up and/or lazy flame	Dirty firepot, exhaust path, and/or venting system.	Clean entire appliance including: firepot, ash build up in firebox, firepot area, behind baffle, firebox, exhaust blower, venting, and ash pan.
	Not enough combustion air	Adjust the trim (see trim adjustment section)
	Misaligned igniter	Center the igniter in the chamber
	Wet fuel or poor quality fuel	Replace wood pellet fuel
Convection blower fails to start	Convection Blower is jammed	Clean and remove jammed object from the blower
	Not electrically connected	Connect the blower wires to its respective power wires
	Blower is defective	Replace blower
	Exhaust probe not sensing correct temperature	Secure the exhaust probe to exhaust blower housing – keeping its wire away from hot surfaces
	Defective probe	Replace probe
	Control board is defective.	Replace control board
Convection Blower fails to shut off	Wire short between blower and ground - Control board is defective	Repair wire and replace control board
Exhaust blower fails to start and/error 6 screen appears – indicating a exhaust encoder alarm.	Exhaust blower is jammed	Clean, and remove jammed object from the blower
	Not electrically connected	Connect the blower wires to its respective power wires
	Blower is defective	Replace blower
	Control board is defective.	Unplug the Bluetooth key, if exhaust blower runs, Bluetooth key or user interface is defective
Exhaust Blower fails to shut off	Wire short between blower and ground - Control board is defective	Repair wire and replace control board
Feed Motor fails to shut off	Wire short between ground and: feed motor, vacuum switch, hopper switch, or safety snap disc	Repair wire(s) and replace control board
	Control board is defective	Replace control board
Convection Blower makes noise	Convection blower is dirty causing an out-of-balance condition	Clean blower impellers
Igniter does not turn off	Wire short between igniter and ground – Control board is defective	Repair wire and replace control board

**Table 22.1**



SYMPTOM	POSSIBLE CAUSE	CORRECTIVE ACTION
Large, lazy flame (orange color) with black ash / soot buildup on glass	Dirty appliance or venting	Clean unit including the firepot, exhaust path, and venting system
	Poor fuel quality, high ash content.	Purge old fuel and use higher quality / or brand of fuel
	Incorrect air-fuel adjustment	Adjust the trim (see trim adjustment section)
	Excessive feeding	Adjust tuning per tuning instructions
	Feed Motor locked on	Follow corrective action for feed motor not turning off
Excessive fuel spilling over the firepot and/or excessive flame	Dirty Appliance	Clean unit including the firepot, exhaust path, and venting system
	Feed Motor locked on	Follow corrective action for feed motor not turning off
Black soot on the side of the house	Dirty Appliance	Clean unit including the firepot, exhaust path, and venting system
	Exhaust termination cap too close to the structure	Extend the termination further from the structure
	Excessive feeding (incorrect air-fuel ratio)	Adjust the tuning (see tuning section)
Unit rumbles consistently during burns	Too much fuel	Turn tuning down one number at a time
	Too much air	Turn tuning setting to one; one number at a time
	<b>NOTE:</b> Refer to Tuning section for more information, <a href="#">page 12</a> .	

**Table 23.1**

## B. User Interface Display Troubleshooting

ISSUE	POSSIBLE CAUSE	CORRECTIVE ACTION
Ghosting on Display	Low battery	Enter and exit menu to refresh screen (If refresh does not fix the issue, replace batteries).
Frozen Screen (No change with input)	Bad battery connection Dead or low battery	Either replace batteries, or remove and re-install the batteries to refresh the screen.
Screen off center	Bad refresh	Either enter and exit the menu or remove and re-install or replace the batteries to refresh the screen.
Blank / Black Screen / No Screen Change	Failed Boot	Re-boot user interface by removing the batteries, waiting 15 seconds and re-installing the batteries.
Lines Through Screen / Partial Display	Bad or Damaged screen	Refresh screen by entering and exiting the menu (If not fixed, replace user interface).

**Table 23.2**

## C. User Interface Alarm Troubleshooting

Following correction of any alarm, the user interface will turn to OFF. Turn user interface back ON and back to desired setting.

ALARM	POSSIBLE CAUSE	CORRECTIVE ACTION
Feed Error	Hopper empty	Fill the hopper
	Auger jam	Inspect the feed tube for jams
	Vacuum switch not closing	Make sure firebox door is shut, vacuum hose is connected to switch and drop tube, wire connectors are connected to vacuum switch, control board, hopper switch, and safety snap disc.
	Hopper lid open	Close the hopper lid
	Exhaust probe does not sense temperature	Secure the exhaust probe keeping its wire away from hot surfaces and clean the exhaust plenum
	Snap disc tripped	Reset snap disc
	Exhaust probe not attached to exhaust blower properly	Secure exhaust probe to exhaust blower housing – keeping its wire away from hot surfaces
	Exhaust path is dirty	Clean unit including the firepot, exhaust path, and venting system
Ignition Error	Hopper empty	Fill the hopper
	Feed motor doesn't turn	Inspect feed motor circuit (hopper lid must be closed, vacuum switch must be closed, snap disc closed, and feed motor must be plugged in) Clear jam in feed tube
	Dirty appliance	Clean unit including the firepot, exhaust path, and venting system
	Igniter has no power or is defective	Check igniter lead connections or replace igniter
	Exhaust probe not properly installed	Secure exhaust probe to exhaust blower housing – keeping its wire away from hot surfaces
	Igniter chamber plugged with debris	Clean igniter chamber
2 Exhaust Probe Fail	Not connected to the control board	Connect terminal end to control board
	Failed component	Replace exhaust probe – securing it to exhaust blower housing – keeping wire away from hot surfaces
6 Exhaust Blower Alarm	Wire from exhaust blower or encoder is disconnected or shorted	Make sure wire is not damaged / melted and ends are fully connected to the encoder and control board.
	Defective exhaust blower	Replace exhaust blower
	Defective encoder (on end of exhaust blower)	Replace exhaust blower
8 Exhaust Over-Temp	Feed Motor Locked On	Repair wire(s) and replace control board
	Non-approved fuel used	Only use wood pellet fuel. Do not enhance its performance with any other combustible substance.
	Convection blower dirty	Clean impellers
10 Communication Error	Bluetooth Key does not have power (blue light on key is not on)	Plug appliance into power source
		USB extension cable not plugged in
		Bluetooth key not plugged in.
		Replace Bluetooth Key
		Replace USB extension cable not plugged in
	Replace control board	
	Bluetooth Key and user interface not paired	Pair Bluetooth Key and user interface
User interface experiencing communication interruption	Move user interface closer to the Bluetooth Key or to another location (within 30 feet)	
	Remove any obstructions between user interface and Bluetooth Key	

Table 24.1

# 5 Reference Materials



When describing the location of a component, it is always **AS YOU FACE THE FRONT OF THE APPLIANCE.**

## A. Component Functions

### 1. Exhaust Blower

The combustion (exhaust) blower is mounted in the bottom right rear of appliance. The blower is designed to pull the exhaust from the appliance and push it out through the venting system.

### 2. Control Board

The control board is located on the right side of appliance. It controls the functioning of the appliance and communicates with the user interface through the Bluetooth key. The control board can only be replaced by an authorized dealer.

### 3. Convection Blower

The convection blower is mounted at the bottom left of the appliance. The convection blower pushes heated air through the heat exchange system into the room.

### 4. Feed System

The feed system is located on the right side of the appliance and can be removed as an entire assembly. The hollow feed spring (auger) pulls pellets up the feed tube from the hopper area and drops them down the feed chute into the firepot. Reference the parts list for individual parts in feed assembly.

### 5. Firepot

The firepot is made of high quality ductile iron. The floor of the firepot opens for cleaning and is manually operated by the homeowner. The floor needs to return to a completely closed position or the appliance will not operate properly.

### 6. Fuse

The control board fuse will blow should a short occur. The control board will need to be replaced. **DO NOT REPLACE THE FUSE.** If the control board fuse blows its TRIAC, that portion of the circuit, will remain closed causing the motor on that leg to run continuously at high speed.

### 7. Heat Exchanger

The heat exchanger is located behind the baffle and transfers heat from the exhaust system into the convection air chamber. Remove the cast iron baffle to access the heat exchanger.

### 8. Hopper Lid Switch

The hopper lid switch is located on the right side, inside the hopper. It switches the feed motor off if the hopper lid is open.

### 9. Igniter (Heating Element)

The igniter is mounted on the base of the firepot. Combustion air travels over the red hot igniter creating super heated air that ignites the pellets.

### 10. Power Receptacle

The power receptacle is located below the control box on right side. Install the power cord (supplied in the appliance component pack) to the appliance receptacle. Prior to installing, check the wall receptacle for 120 volt, 60 Hz (standard current). Make sure the outlet is grounded and has the correct polarity. A good quality surge protector is highly recommended to protect the appliance electronics.

### 11. Overheat Snap Discs

There are two overheat snap discs located within the electro-mechanical cavity of the appliance. One is mounted on the back of the drop tube in the center of the appliance; the other is mounted in the RH side between the firebox and cast side panel. Both snap discs have a reset button. If the fire tries to burn back into the feed system, the drop tube snap disc will shut the appliance down. If there is not enough circulation from the convection blower the second snap disc will shut the feed system off. Either sensor must be manually re-set if tripped. Disconnect power before resetting.

**12. Exhaust Probe - Exhaust Blower**

The exhaust probe is a temperature-sensing device attached to the exhaust blower housing via screw and clamp. It provides sympathetic exhaust temperature feedback to the control board. In turn, the control board uses this information to adjust its heat-output systems for best performance.

**13. Vacuum Switch**

The vacuum switch is located on the right side of the appliance under the feed motor, behind right side panel. Its vacuum hose connects to the drop tube. This switch turns the feed system on when vacuum is present in the firebox. The vacuum switch is a safety device to shut off the feed motor if the exhaust or the heat exchanger system is dirty, plugged, or if the firebox door is open.

**14. Wiring Schematic for Control Board (Figure 26.1)**

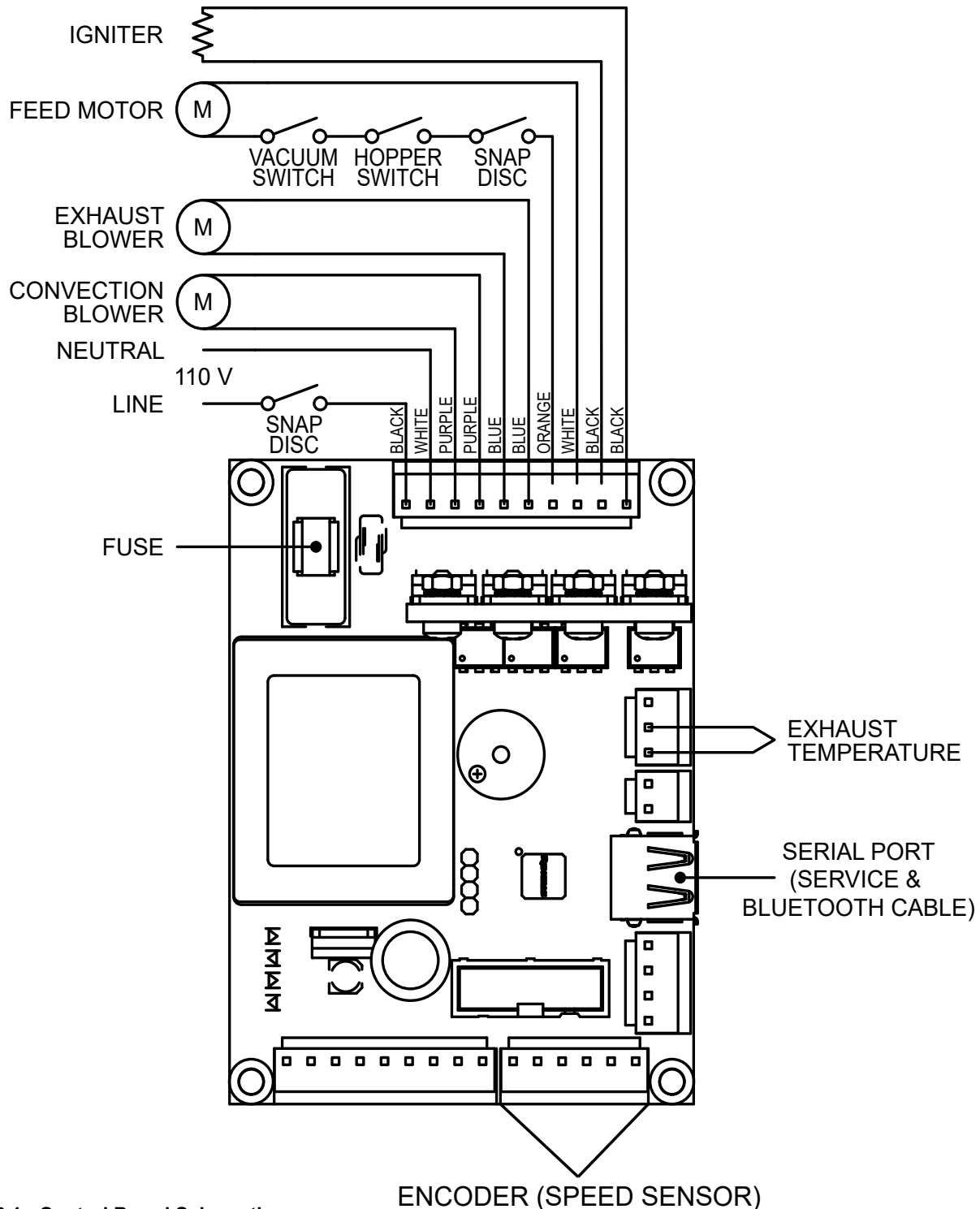


Figure 26.1 - Control Board Schematic

## B. Service and Maintenance Log

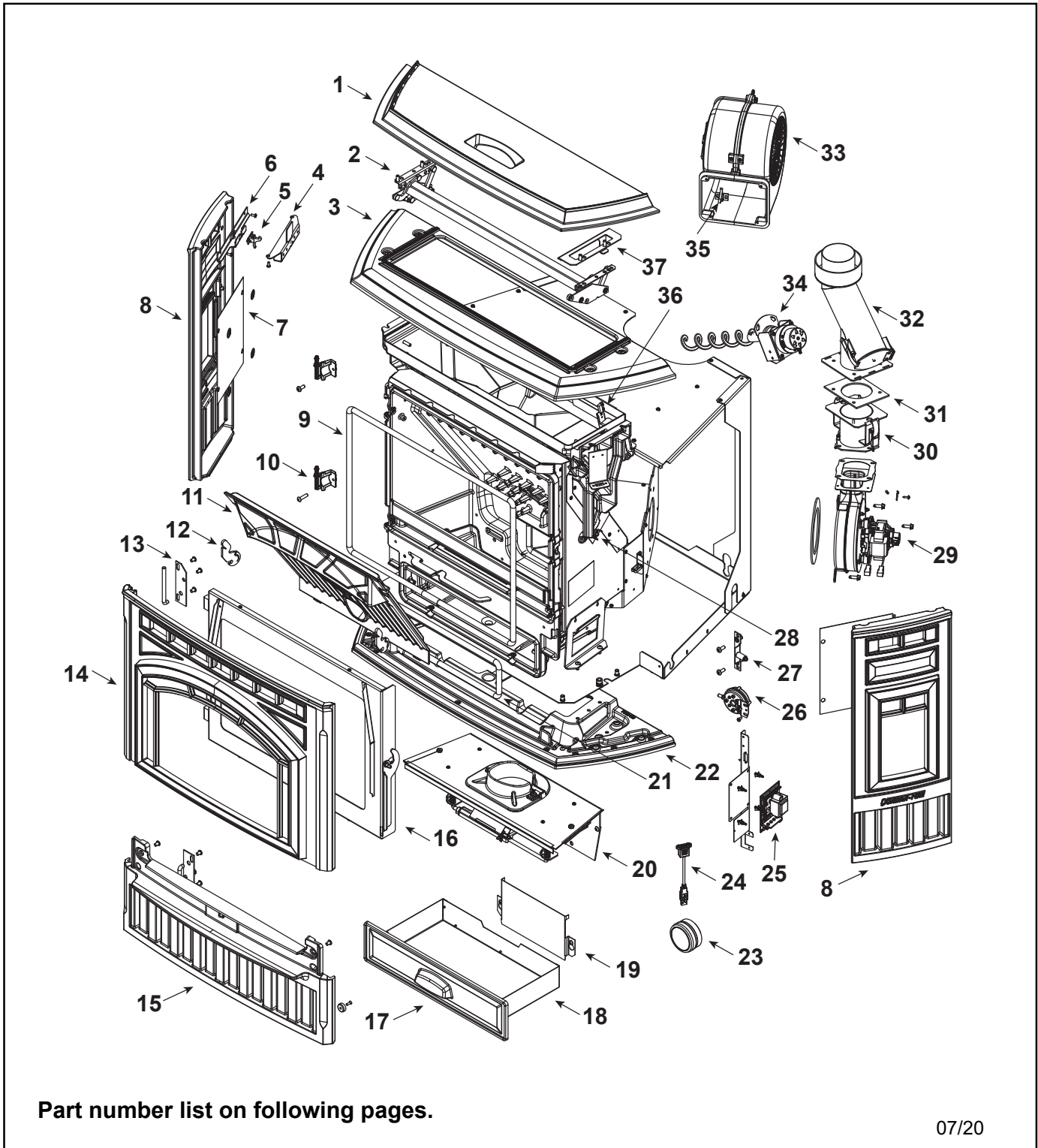
Date of Service	Performed By	Description of Service

**QUADRA-FIRE**® Service Parts  
Pellet Insert

**TREKKER INSERT**

Beginning Manufacturing Date: June 2018  
Ending Manufacturing Date: Active

Color	SKU No.	Mfg. Dates
Matte Black	TREKKERI-MBK	06/18 -
Porcelain Mahogany	TREKKERI-PMH	06/18 -
Sienna Bronze	TREKKERI-CSB	06/18 - 05/19
Twilight	TREKKERI-TWL	03/19 -



07/20



Beginning Manufacturing Date: June 2018  
Ending Manufacturing Date: Active

IMPORTANT: THIS IS DATED INFORMATION. Parts must be ordered from a dealer or distributor. **Hearth and Home Technologies does not sell directly to consumers.** Provide model number and serial number when requesting service parts from your dealer or distributor.

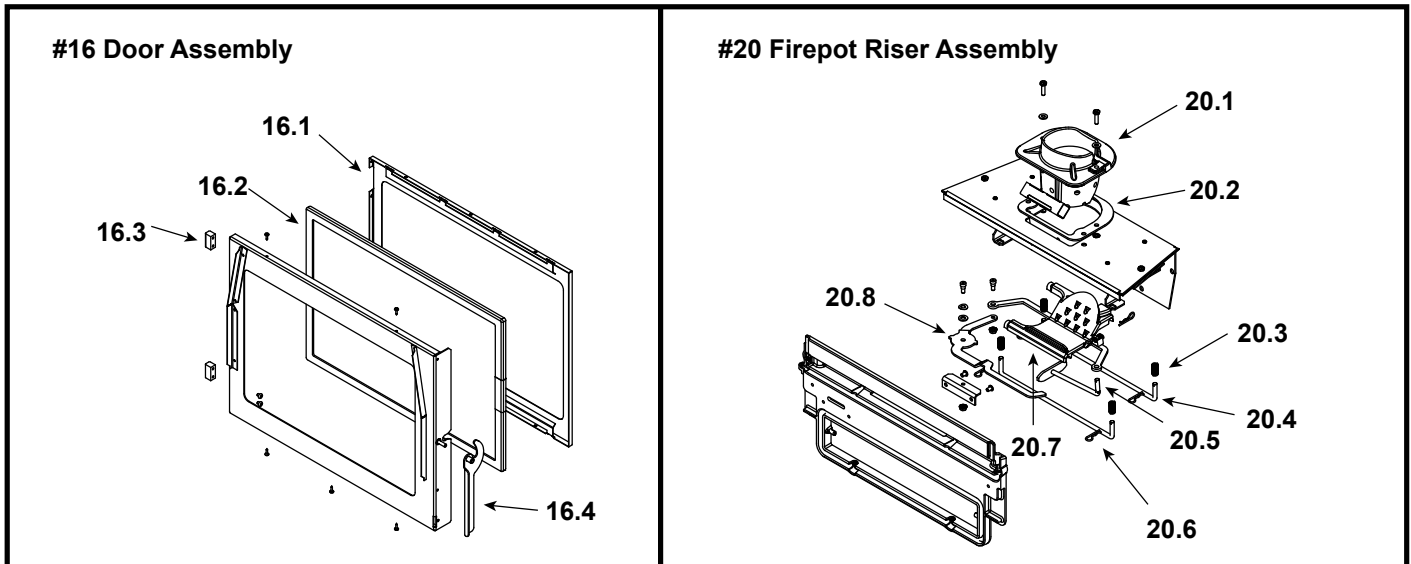


**Stocked  
at Depot**

ITEM	DESCRIPTION	COMMENTS	PART NUMBER	
1	Hopper Lid	Matte Black	7036-107MBK	
		Porcelain Mahogany	7036-107PMH	
		Sienna Bronze	7036-107CSB	
		Twilight	7036-107TWL	
	Gasket, Extruded - Field Cut to Size	10 FT	7000-320/10	
2	Top Hinge Assembly		SRV7036-006	
3	Top	Matte Black	7036-101MBK	
		Porcelain Mahogany	7036-101PMH	
		Sienna Bronze	7036-101CSB	
		Twilight	7036-101TWL	
4	Catch Clip		7036-146	
5	Elbow Catch		7000-393	
6	Bracket, Catch		7036-145	
7	Backer, Side Window		414-0280	
8	Side	Matte Black	7036-103MBK	
		Porcelain Mahogany	7036-103PMH	
		Sienna Bronze	7036-103CSB	
		Twilight	7036-103TWL	
9	Gasket, Door Rope		SRV7034-177	Y
10	Hinge Male		SRV7034-138	
11	Baffle		SRV7034-263	Y
12	Latch, Baffle		SRV7034-149	
13	Hinge Pin Retainer		7036-112	
14	Front Upper	Matte Black	7082-105MBK	
		Porcelain Mahogany	7082-105PMH	
		Sienna Bronze	7082-105CSB	
		Twilight	7082-105TWL	
15	Front Lower	Matte Black	7082-107MBK	
		Porcelain Mahogany	7082-107PMH	
		Sienna Bronze	7082-107CSB	
		Twilight	7082-107TWL	

Additional service part numbers appear on following page.

Beginning Manufacturing Date: June 2018  
Ending Manufacturing Date: Active



**IMPORTANT: THIS IS DATED INFORMATION.** Parts must be ordered from a dealer or distributor. **Hearth and Home Technologies does not sell directly to consumers.** Provide model number and serial number when requesting service parts from your dealer or distributor.



**Stocked at Depot**

ITEM	DESCRIPTION	COMMENTS	PART NUMBER	
16	Door Assembly		SRV7080-015	
16.1	Glass Retainer		7034-136	
16.2	Glass Assembly	21" W x 14" H	7034-007	Y
16.3	Hinge, Female		SRV450-2910	
16.4	Door Latch Assembly		413-5200	
	Gasket, Channel 3 Mm X 32 - Field Cut to Size	10 Ft	7000-377/10	Y
17	Ash Pan Door		SRV7034-133	
18	Ash Pan Assembly		SRV7034-069	
	Twin Ball catch		SRV7000-532	Y
19	Intake Shield		7034-224	Y
20	Firepot Riser Assembly ( <b>Does Not Include Floor Lever Assembly</b> )		SRV7080-082	
20.1	Firepot Assembly		SRV7080-083	Y
20.2	Gasket, Firepot		SRV7034-190	Y
20.3	Spring	Pkg of 4	7000-513/4	Y
20.4	Rail, Auto-Clean		SRV7034-152	Y
20.5	Plow Weldment, Auto-Clean		SRV7034-024	Y
20.6	Hitch Pin Clip 3/32	Pkg of 10	7000-374/10	Y
20.7	Firepot Bottom		SRV7034-153	Y
20.8	Firepot Floor Lever Assembly ( <b>Not Included w/Firepot Riser Assembly</b> )		SRV7080-018	Y
21	Gasket, Rope, Ash Door		SRV7034-178	
22	Bottom	Matte Black	7036-109MBK	
		Sienna Bronze	7036-109CSB	
		Porcelain Mahogany	7036-109PMH	
		Twilight	7036-109TWL	

Additional service part numbers appear on following page.

IMPORTANT: THIS IS DATED INFORMATION. Parts must be ordered from a dealer or distributor. **Hearth and Home Technologies does not sell directly to consumers.** Provide model number and serial number when requesting service parts from your dealer or distributor.



**Stocked  
at Depot**

ITEM	DESCRIPTION	COMMENTS	PART NUMBER	
23	User Interface	Post #HF215520	SRV7080-178	Y
	Battery 3V CR2477	Pkg of 2	SRV7000-869	Y
24	Extension Cable USB		SRV7080-171	Y
	Bluetooth Key		SRV7080-156	Y
25	Control Board		SRV7080-052	Y
	Wire Harness		SRV7080-129	Y
	Fuse 5A, Slow IEC	Pkg of 10	7000-490/10	Y
	Wire Harness, Hall Effect		SRV7080-130	Y
26	Vacuum Switch		SRV7000-531	Y
	Vacuum Hose	3 FT cut ro fit	SRV7000-373	Y
27	Latch Bracket Assembly		SRV7034-049	Y
28	Snap Disc, L250, Manual Reset ( #3 )		SRV230-1290	Y
29	Combustion Blower		SRV7080-106	Y
	Gasket, Blower, Combustion (Between ...)	...Housing & Stove	SRV7080-117	Y
	Gasket, Motor, Blower, Combustion (Between ...)	...Housing & Motor	SRV7080-107	Y
	Gasket, Exhaust		SRV7034-109	
30	Flue Collar Assembly		SRV7082-013	
31	Gasket, Flue Adpator Flange		SRV7036-180	Y
32	Top Vent Adapter		TPVNT-4	
33	Convection Blower		SRV7080-105	Y
34	Feed Assembly		SRV7080-010	Y
	Feed Spring Assembly (Only)		SRV7001-046	Y
	Gasket, Feed Motor		SRV7034-144	
	Feed Motor		812-4421	Y
35	Elbow Catch		7000-393	
36	Magnetic Switch		SRV7000-375	Y
37	Bracket, Hopper Magnet		7036-149	
	Component Pack	Matte Black	SRV7082-043	
		Sienna Bronze	SRV7082-044	
		Porcelain Mahogany	SRV7082-045	
		Twilight	SRV7082-046	
	Cleanout Tool		414-1140	Y
	Paint Touch-Up	Matte Black	3-42-19905	
		Sienna Bronze	TOUCHUP-CSB	
		Porcelain Mahogany	1-00-0014	
		Twilight	0001285	
	Power Cord		812-1180	Y

Additional service part numbers appear on following page.

Beginning Manufacturing Date: June 2018  
Ending Manufacturing Date: Active

IMPORTANT: THIS IS DATED INFORMATION. Parts must be ordered from a dealer or distributor. **Hearth and Home Technologies does not sell directly to consumers.** Provide model number and serial number when requesting service parts from your dealer or distributor.



**Stocked  
at Depot**

ITEM	DESCRIPTION	COMMENTS	PART NUMBER	
	Heating Element Assembly 18" (Loop Igniter)	Pkg of 1	SRV7000-647	Y
		Pkg of 10	SRV7000-647/10	Y
	Wing Thumb Screw 8-32 X 1/2	Pkg of 24	7000-223/24	Y
	Wire Clip		7000-400/10	Y
<b>Accessories</b>				
	Adjustable Hearth Support		ADJSPT-12	Y
	Damper, 3 Inch - Tall Vertical Installs Only		PEL-DAMP3	Y
	Damper, 4 Inch - Tall Vertical Installs Only		PEL-DAMP4	
	Exhaust Probe		SRV7000-669	
	Log Set (2 Pc)	Sold as set only	LOGS-60-AE-B	Y
	Outside Air Kit		OAK-3	
	Top Vent Adapter		TPVNT-4	
	Flue Adapter (Required if TPVNT-4 is removed)		LKADP	
	Surround, Std, Panel, For Cast Trim		SP-MTVS-CST	
	Component Pack		7036-041	
	Surround, Std, Panel, w/Gold Trim	<b>No longer available</b>	SP-MTVS-GD	
	Component Pack		7036-042	
	Trim, Panel Set, Gold		SRV250-4660	
	Surround, Std, Panel, Nickel Black		SP-MTVS-NB	
	Component Pack		7036-042	
	Trim Set, Black Nickel		7019-027	
	Bracket for Trim Installation		SRV7022-503G	
	Trim Cast	Matte Black	811-0930	
		Sienna Bronze	TR-CAST-CSB	
		Porcelain Mahogany	811-0960	
		Twilight	TR-CAST-TWL	
	Footer, Left	Matte Black	414-7090MBK	
		Sienna Bronze	414-7090CSB	
		Porcelain Mahogany	414-7090PMH	
		Twilight	414-7090TWL	
	Footer, Right	Matte Black	414-7100MBK	
		Sienna Bronze	414-7100CSB	
		Porcelain Mahogany	414-7100PMH	
		Twilight	414-7100TWL	
	Header	Matte Black	414-7110MBK	
		Sienna Bronze	414-7110CSB	
		Porcelain Mahogany	414-7110PMH	
		Twilight	414-7110TWL	

Additional service part numbers appear on following page.

IMPORTANT: THIS IS DATED INFORMATION. Parts must be ordered from a dealer or distributor. **Hearth and Home Technologies does not sell directly to consumers.** Provide model number and serial number when requesting service parts from your dealer or distributor.



**Stocked  
at Depot**

ITEM	DESCRIPTION	COMMENTS	PART NUMBER	
<b>Accessories</b>				
	Trim Leg, Left	Matte Black	414-7120MBK	
		Sienna Bronze	414-7120CSB	
		Porcelain Mahogany	414-7120PMH	
		Twilight	414-7120TWL	
	Trim Leg, Right	Matte Black	414-7130MBK	
		Sienna Bronze	414-7130CSB	
		Porcelain Mahogany	414-7130PMH	
		Twilight	414-7130TWL	
<b>Fasteners</b>				
	Wing Thumb Screw 8-32 X 1/2	Pkg of 24	7000-223/24	Y
	Bolt, Grd 2 Tap 3/8 x 4		223-0140	
	Nut, Wing 1/4-20	Pkg of 12	226-0110/12	Y
	Screw, Sheet Metal #8 X 1/2 S-Grip	Pkg of 40	12460/40	Y
	Washer, Sae	Pkg of 25	227-0080/25	Y
	Washer, Fl 1/4 Black	Pkg of 10	1202473-10	
		Pkg of 50	1202473PK	
	Screw, Hwh Ms 1/4-20 X 3/4 Ns	Pkg of 25	220-0080/25	Y
	Nut, Ser Flange Small 1/4-20	Pkg of 24	226-0130/24	Y
		Pkg of 100	3-30-8024-100	Y
	Screw 1/4-20x5/8 Phillips Pan Head	Pkg of 24	7000-398/24	Y
	Screw Phillips Button Head 1/4-20x3/8	Pkg of 24	7000-401/24	Y
	Screw 8 - 32x3/8 HWH BK	Pkg of 40	SRV060-883/40	
	Screw Flat Head Philips 8-32 X 1/2	Pkg of 12	220-0490/12	Y
	Magnet Round		SRV7000-140	Y
	Hurricane Screw	Pkg of 40	SRV2005-861/40	
	Screw, Pan Head Phillips, 10/32 X 1/4	Pkg of 24	229-1230/24	Y
	Bolt, Shoulder, 5/16x1/4-20	Pkg of 20	223-0170/20	Y
	Screw, Pan Head Phillips 8-32 X 3/4	Pkg of 24	229-1100/24	Y
	Washer, Spring 5/16	Pkg of 4	7000-572/4	Y
	Screw, Ph, Phl Tc 8-32 X 1/2	Pkg of 25	220-0030/25	Y
	Screw, Pan Head Phillips 8-32 X 3/8	Pkg of 40	225-0500/40	Y

# QUADRA-FIRE®

NOTHING BURNS LIKE A QUAD

## CONTACT INFORMATION

Hearth & Home Technologies  
352 Mountain House Road  
Halifax, PA 17032  
Division of HNI INDUSTRIES

Please contact your Quadra-Fire dealer with any questions or concerns.  
For the number of your nearest Quadra-Fire dealer  
log onto [www.quadrafire.com](http://www.quadrafire.com)



## CAUTION



### DO NOT DISCARD THIS MANUAL

- Important operating and maintenance instructions included.
- Read, understand and follow these instructions for safe installation and operation.
- Leave this manual with party responsible for use and operation of this appliance.



### We recommend that you record the following pertinent information for your heating appliance.

Date purchased/installed: \_\_\_\_\_

Serial Number: \_\_\_\_\_

Location on appliance: \_\_\_\_\_

Dealership purchased from: \_\_\_\_\_

Dealer Phone: 1(     ) - \_\_\_\_\_

Notes: \_\_\_\_\_  
\_\_\_\_\_  
\_\_\_\_\_  
\_\_\_\_\_

This product may be covered by one or more of the following patents: (United States) 5341794, 5263471, 6688302, 7216645, 7047962 or other U.S. and foreign patents pending.

  
**HEARTH & HOME**  
technologies™