

# Installation Manual

## Installation & Appliance Set-Up

**INSTALLER:** Leave this manual with party responsible for use and operation.

**OWNER:** Retain this manual for future reference.

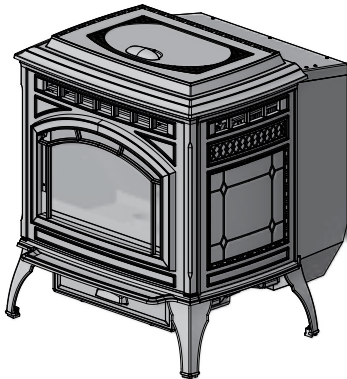
**NOTICE: DO NOT DISCARD THIS MANUAL**

# QUADRA-FIRE®

TREKKER FREE STANDING  
PELLET APPLIANCE

MODEL(S):

TREKKER-MBK  
TREKKER-PBK  
TREKKER-PDB  
TREKKER-PFT  
TREKKER-PMH  
TREKKER-TWL



### CAUTION

**Check building codes prior to installation.**

- Installation **MUST** comply with local, regional, state and national codes and regulations.
- Consult local building, fire officials or authorities having jurisdiction about restrictions, installation inspection, and permits.

Installation and service of this appliance should be performed by qualified personnel. Hearth & Home Technologies recommends HHT Factory Trained or NFI certified professionals.



### WARNING



If the information in these instructions is not followed exactly, a fire could result causing property damage, personal injury, or death.

- Do not store or use gasoline or other flammable vapors and liquids in the vicinity of this or any other appliance.
- Do not over fire - If appliance or chimney connector glows, you are over firing. Over firing will void your warranty.
- Comply with all minimum clearances to combustibles as specified. Failure to comply may cause house fire.



### WARNING



#### HOT SURFACES!

Glass and other surfaces are hot during operation AND cool down. Hot glass will cause burns.

- Do not touch glass until it is cooled
- NEVER allow children to touch glass
- Keep children away
- CAREFULLY SUPERVISE children in same room as fireplace.
- Alert children and adults to hazards of high temperatures
- High temperatures may ignite clothing or other flammable materials.
- Keep clothing, furniture, draperies and other flammable materials away.



### CAUTION

Tested and approved for wood pellets only. Burning of any other type of fuel voids your warranty.

**NOTE:** To obtain a French translation of this manual, please contact your dealer or visit

[www.quadrafire.com](http://www.quadrafire.com)

**REMARQUE :** Pour obtenir une traduction française de ce manuel, s'il vous plaît contacter votre revendeur ou visitez [www.quadrafire.com](http://www.quadrafire.com)

**Safety Alert Key:**



- **DANGER!** Indicates a hazardous situation which, if not avoided will result in death or serious injury.
- **WARNING!** Indicates a hazardous situation which, if not avoided could result in death or serious injury.
- **CAUTION!** Indicates a hazardous situation which, if not avoided, could result in minor or moderate injury.
- **NOTICE:** Indicates practices which may cause damage to the appliance or to property.

**TABLE OF CONTENTS**

|   |                  |   |                  |
|---|------------------|---|------------------|
| <b>1 Important Safety Information</b> .....             | <b><u>3</u></b>  | <b>5 Venting Systems</b> .....                      | <b><u>17</u></b> |
| A. Appliance Certification .....                        | <u>3</u>         | A. Through The Wall .....                           | <u>17</u>        |
| B. BTU & Efficiency Specifications .....                | <u>3</u>         | B. Vertical into Existing Class A Chimney .....     | <u>18</u>        |
| C. Glass Specifications .....                           | <u>4</u>         | C. Through The Wall & Vertical - Exterior .....     | <u>18</u>        |
| D. Electrical Rating .....                              | <u>4</u>         | D. Vertical - Interior - Typical Installation ..... | <u>18</u>        |
| E. Mobile Home Approved .....                           | <u>4</u>         | E. Masonry .....                                    | <u>19</u>        |
| F. Non-Combustible Materials .....                      | <u>4</u>         | F. Alternate Masonry .....                          | <u>19</u>        |
| G. Combustible Materials .....                          | <u>4</u>         | <b>6 Appliance Set-Up</b> .....                     | <b><u>20</u></b> |
| H. Sleeping Room .....                                  | <u>4</u>         | A. Leg Leveling System .....                        | <u>20</u>        |
| I. California - Prop65 .....                            | <u>4</u>         | B. Outside Air Kit Instructions .....               | <u>20</u>        |
| <b>2 Getting Started</b> .....                          | <b><u>5</u></b>  | C. Top Vent Adapter Installation .....              | <u>21</u>        |
| A. Design, Installation & Location Considerations ..... | <u>5</u>         | D. Rear Vent & Rear Vent to Top Vent Adapter .....  | <u>21</u>        |
| B. Tools And Supplies Needed .....                      | <u>6</u>         | E. Optional Log Set Placement Instructions .....    | <u>22</u>        |
| C. Inspect Appliance and Components .....               | <u>6</u>         | F. Installation of User Interface .....             | <u>23</u>        |
| D. Removal of Appliance from Shipping Materials .....   | <u>6</u>         | G. Power to Appliance and User Interface .....      | <u>23</u>        |
| E. Install Checklist .....                              | <u>7</u>         | H. Location & Mounting User Interface .....         | <u>23</u>        |
| <b>3 Dimensions and Clearances</b> .....                | <b><u>8</u></b>  | <b>7 Mobile Home Installation</b> .....             | <b><u>24</u></b> |
| A. Appliance Dimensions .....                           | <u>8</u>         | <b>8 Reference Materials</b> .....                  | <b><u>25</u></b> |
| B. Clearances to Combustibles (US & Canada) .....       | <u>10</u>        | A. Service and Maintenance Log .....                | <u>25</u>        |
| C. Hearth Pad Requirements (UL & ULC) .....             | <u>11</u>        | B. Accessories List .....                           | <u>27</u>        |
| D. Alcove .....   | <u>12</u>        |   |                  |
| <b>4 Vent Information</b> .....                         | <b><u>13</u></b> |   |                  |
| A. Venting Termination Minimum Requirements .....       | <u>13</u>        |   |                  |
| B. Avoiding Smoke and Odors .....                       | <u>14</u>        |   |                  |
| C. Negative Pressure .....                              | <u>15</u>        |   |                  |
| D. Draft .....  | <u>15</u>        |   |                  |
| E. Chimney and Exhaust Connection .....                 | <u>15</u>        |   |                  |
| F. Equivalent Feet of Pipe .....                        | <u>16</u>        |   |                  |
| G. Pipe Selection Chart .....                           | <u>16</u>        |   |                  |

# 1 Important Safety Information

## A. Appliance Certification

|                           |   |
|---------------------------|---|
| <b>Model:</b>             | Trekker Pellet Stove  |
| <b>Safety Laboratory:</b> | OMNI Test Laboratories, Inc.  |
| <b>Report No:</b>         | 061-S-83-2  |
| <b>Type:</b>              | Solid Fuel Room Heater, Pellet Fuel Burning Type  |
| <b>Standard:</b>          | ASTM E1509-12, ULC S627-00 and (UM) 84-HUD, Mobile Home Approved.   |
| <b>FCC:</b>               | Complies with Part 15 of FCC Rules. Operation is subject to the following two conditions: (1) this device may not cause harmful interference, and (2) this device must accept any interference received, including interference that may cause undesired operation. |

## B. BTU & Efficiency Specifications

|   |                           |
|---|---------------------------|
| <b>Emissions Report Number:</b>   | 0061PS094E                |
| <b>EPA Certification Number:</b>  | Number: 98-17             |
| <b>EPA Certified Emissions:</b>   | 0.74 grams per hour       |
| <b>*LHV Tested Efficiency:</b>  | 83.2%                     |
| <b>**HHV Tested Efficiency:</b>   | 77.9%                     |
| <b>***EPA BTU Output:</b>   | 12,700 to 39,400 / hr.    |
| <b>****BTU Input:</b>   | 16,400 to 50,800 / hr.    |
| <b>Vent Size:</b>   | 3" or 4" Type "L" or "PL" |
| <b>Hopper Capacity:</b>   | 80 lbs.                   |
| <b>Fuel:</b>  | Premium Wood Pellets      |
| * Weighted average LHV (Low Heating Value) efficiency using data collected during EPA emissions tests.                                  |                           |
| **Weighted average HHV (High Heating Value) efficiency using data collected during EPA emissions tests.                                 |                           |
| *** A range of BTU outputs calculated using HHV efficiency and the burn rates from the EPA tests.                                       |                           |
| **** Based on the maximum feed rate per hour multiplied by approximately 8600 BTU's which is the average BTU's from a pound of pellets. |                           |

‡ Grade of pellet fuel as certified by Pellet Fuels Institute (PFI), ENPlus or CANplus.

The Trekker is Certified to comply with 2020 particulate emission standards.



This pellet appliance needs periodic inspection and repair for proper operation. It is against federal regulations to operate this pellet appliance in a manner inconsistent with operating instructions in this manual.

**NOTICE:** This installation must conform with local codes. In the absence of local codes you must comply with the **ASTM E1509-04, ULC S627-00, (UM) 84-HUD and ULC/ORD-C-1482.**

**C. Glass Specifications**

This appliance is equipped with 5mm ceramic glass. Replace glass only with 5mm ceramic glass. Please contact your dealer for replacement glass.

**D. Electrical Rating**

115 VAC, 60 Hz, Start 2.9 Amps, Run 2.45 Amps

**E. Mobile Home Approved**

- This appliance is approved for mobile home installations when not installed in a sleeping room and when an outside combustion air inlet is provided.
- The structural integrity of the mobile home floor, ceiling, and walls must be maintained.
- The appliance must be properly grounded to the frame of the mobile home and use only Listed pellet vent Class “L” or “PL” connector pipe.
- Outside Air Kit, part OAK-3 must be installed in a mobile home installation.

**F. Non-Combustible Materials**

Material which will not ignite and burn, composed of any combination of the following:

- Steel
- Plaster
- Brick
- Iron
- Concrete
- Tile
- Glass
- Slate

Materials reported as passing **ASTM E 136, Standard Test Method** for Behavior of Metals, in a Vertical Tube Furnace of 750° C.

**G. Combustible Materials**

Material made of/or surfaced with any of the following materials:


- Wood
- Compressed Paper
- Plant Fibers
- Plastic
- Plywood/OSB
- Sheet Rock (drywall)



Any material that can ignite and burn: Flame proofed or not, plastered or non-plastered.

**H. Sleeping Room**

When installed in a sleeping room it is recommended that 3ft of vertical be installed prior to horizontally exiting the room and a smoke/CO alarm be installed in the bedroom. The size of the room must be at least 50ft³ per 1,000 Btu/hr stove input, if the stove exceeds the room size, out air must be installed.

**I. California - Prop65**

|  |                |
|--|----------------|
|   | <b>WARNING</b> |
| <p>This product and the fuels used to operate this product (wood), and the products of combustion of such fuels, can expose you to chemicals including carbon black, which is known to the State of California to cause cancer, and carbon monoxide, which is known to the State of California to cause birth defects or other reproductive harm. For more information go to: <a href="http://WWW.P65Warnings.ca.gov">WWW.P65Warnings.ca.gov</a></p> |                |

|  |  |
|--|--|
|  | <b>WARNING</b>   |
|   | <p><b>Fire Risk</b><br/>Hearth &amp; Home Technologies disclaims any responsibility for, and the warranty will be voided by, the following actions:</p> <ul style="list-style-type: none"> <li>• Installation and use of any damaged appliance.</li> <li>• Modification of the appliance.</li> <li>• Installation other than as instructed by Hearth &amp; Home Technologies.</li> <li>• Installation and/or use of any component part not approved by Hearth &amp; Home Technologies.</li> <li>• Operating appliance without fully assembling all components.</li> <li>• Operating appliance without legs attached (if supplied with appliance).</li> <li>• <u>Do NOT Over fire</u> - If appliance or chimney connector glows, you are over firing.</li> </ul> <p>Any such action that may cause a fire hazard.</p> |

Improper installation, adjustment, alteration, service or maintenance can cause injury or property damage.

For assistance or additional information, consult a qualified installer, service agency or your dealer.

|   |
|---|
| <p><b>NOTE:</b> Hearth &amp; Home Technologies, manufacturer of this appliance, reserves the right to alter its products, their specifications and/or price without notice.</p> |
|---|

# Install Guide

## 2 Getting Started

### A. Design, Installation & Location Considerations

**NOTICE:** Check building codes prior to installation.

#### 1. Appliance Location

- Installation **MUST** comply with local, regional, state and national codes and regulations.
- Consult insurance carrier, local building inspector, fire officials or authorities having jurisdiction over restrictions, installation inspection and permits.

It is a good idea to plan your installation on paper, using exact measurements for clearances and floor protection, before actually beginning the installation. Location of the appliance and chimney will affect performance.

Consideration must be given to:

- Safety, convenience, traffic flow
- Placement of the chimney and chimney connector and to minimize the use of chimney offsets.
- Place the appliance where there will be a clear passage for a Listed chimney through the ceiling and roof (vertical) or through exterior wall (horizontal).
- Installing the required outside air kit will affect the location of the vent termination.

When locating vent and venting termination, the ideal location is to vent above roof line when possible. This minimizes the affects of wind loading.

Since pellet exhaust can contain ash, soot or sparks, you must consider the location of:

- Windows
- Air Intakes
- Air Conditioner
- Overhang, soffits, porch roofs, adjacent walls
- Landscaping, vegetation
- Horizontal or vertical vent termination

#### 2. Floor Support

The supporting floor under the appliance must be able to handle the weight of the appliance, fuel load and the weight of the chimney.

Ensure that your floor will support these weights prior to installation. Add sufficient additional support to meet this weight requirement prior to installation. The weight of the appliance is 426 lbs with a full load of fuel the max weight is 473 lbs.



### WARNING

#### Risk of Fire.

Damaged parts could impair safe operation. Do NOT install damaged, incomplete or substitute components.

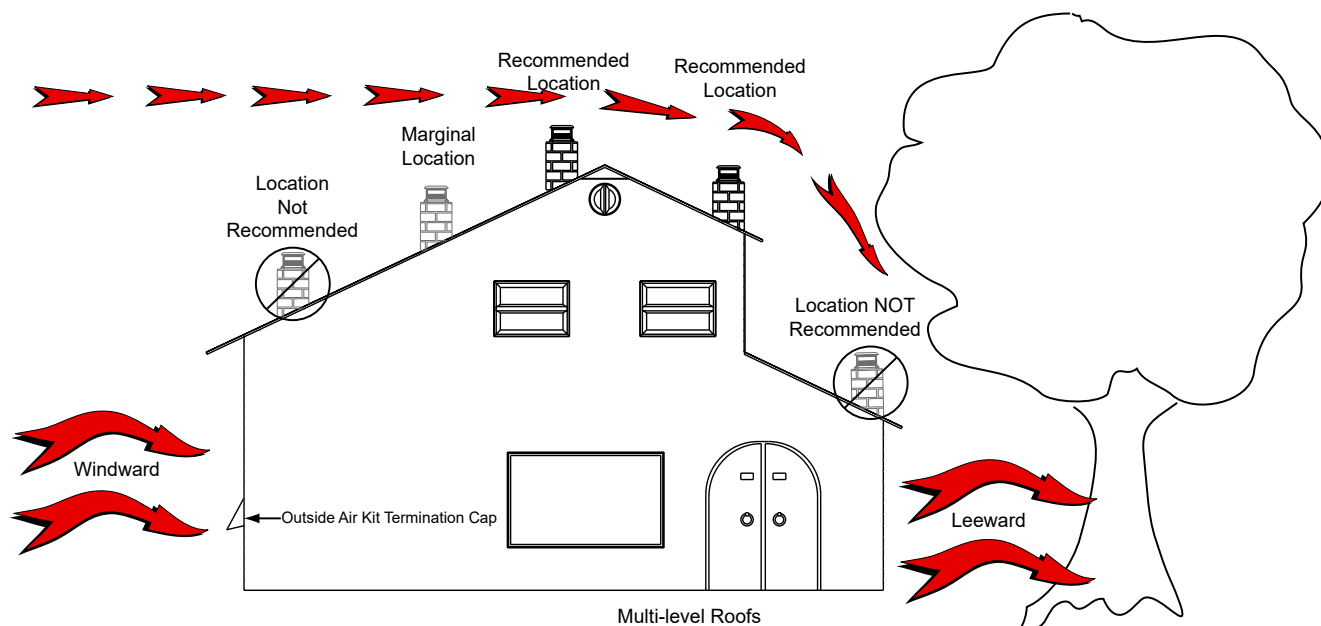


Figure 5.1

**WARNING**

**Risk of Fire!**

- Damaged parts could impair safe operation.
- Do NOT install damaged, incomplete or substitute components.

**WARNING**

Hearth & Home Technologies disclaims any responsibility for, and the warranty will be voided by, the following actions:

- Installation and use of any damaged appliance.
- Modification of the appliance.
- Installation other than as instructed by Hearth & Home Technologies.
- Installation and/or use of any component part not approved by Hearth & Home Technologies.
- Operating appliance without fully assembling all components.
- Operating appliance without legs attached (if supplied with appliance).
- Do NOT Over fire

Or any such action that may cause a fire hazard.

**B. Tools And Supplies Needed**

Tools and building supplies normally required for installation, unless installing into an existing masonry fireplace:

- Reciprocating Saw
- Channel Locks
- Hammer
- Phillips Screwdriver
- Tape Measure
- Plumb Line
- 1/4" Self-Tapping Screws
- Framing Material
- Hi-temp Caulking Material
- Gloves
- Safety Glasses
- Framing Square
- Electric Drill & Bits (1/4")
- Level

**May also need:**

- Vent Support Straps
- Venting Paint

**C. Inspect Appliance and Components**

- Open the appliance and remove all the parts and articles packed inside the Component Pack. Inspect all the parts and glass for shipping damage.
- Report to your dealer any parts damaged in shipment.
- All labels have been removed from the glass door.
- Plated surfaces have been wiped clean with a soft cloth, if applicable.
- Read all the instructions before starting the installation. Follow these instructions carefully during the installation to ensure maximum safety and benefit.**
- Follow pipe manufacturer instructions for installation and air clearance requirements.**

**D. Removal of Appliance from Shipping Materials**

- Remove box and 2x4 structural boards being careful not to damage product.
- Using 3/8 socket or wrench remove both front bolts from pallet mount brackets. Front pallet mount brackets will slide outwards away from appliance (**Figure 6.1**).
- Using 3/8 socket or wrench remove bolts from side pallet mount brackets. Side pallet mount brackets will slide downwards from appliance (**Figure 6.2**).
- Carefully pull appliance off of pallet and put in desired location following Hearth Pad on [page 11](#) and Clearance to Combustibles on [page 10](#).

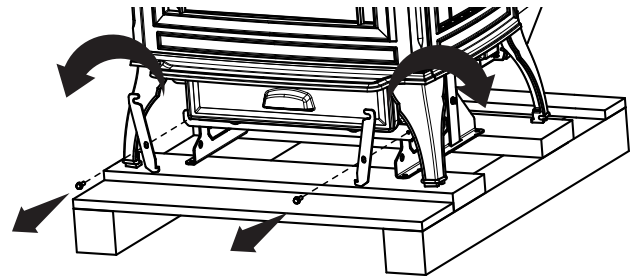


Figure 6.1

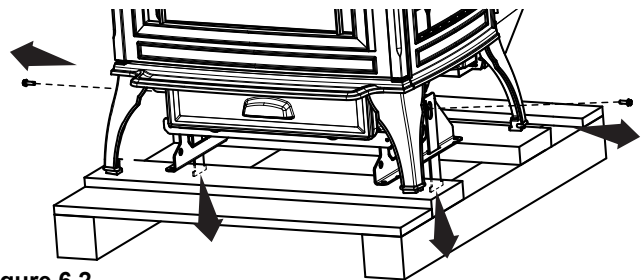


Figure 6.2

## E. Install Checklist

**ATTENTION INSTALLER:**  
**Follow this Standard Work Checklist**

This standard work checklist is to be used by the installer in conjunction with, not instead of, the instructions contained in this installation manual.

Customer: \_\_\_\_\_  
 Date Installed: \_\_\_\_\_  
 Lot/Address: \_\_\_\_\_  
 Location of Appliance: \_\_\_\_\_  
 Installer: \_\_\_\_\_  
 Dealer/Distributor Phone Number: \_\_\_\_\_  
 Serial Number: \_\_\_\_\_  
 Model Name: \_\_\_\_\_



**WARNING! Risk of Fire or Explosion! Failure to install appliance to these instructions can lead to a fire or explosion.**

**Appliance Install**

Verified clearance to combustibles.  
 Appliance is leveled and connector is secured to appliance.  
 Hearth extension size/height decided.  
 Outside air kit installed.  
 Floor protection requirements have been met.  
 If appliance is connected to a masonry chimney, it should be cleaned and inspected by a professional. If installed to a factory built metal chimney, the chimney must be installed according to the manufacturer's instructions and clearances.

YES


IF NO, WHY?

---

---

---

---

---

---

**Venting/Chimney**

Chimney configuration complies with diagrams.  
 Chimney installed, locked and secured in place with proper clearance.  
 Chimney meets recommended height requirements (5 feet minimum vertical).  
 Roof flashing installed and sealed.  
 Terminations installed and sealed.



---

---

---

---

**Electrical**

120 VAC unswitched power provided to the appliance.  
 Check outlet with multi-meter for proper polarity and voltage (115-120 VAC).  
 Record voltage reading: \_\_\_\_\_



---

---

**Clearances**

Verified all clearances meet installation manual requirements.  
 Mantels and wall projections comply with installation manual requirements.  
 Floor protection and heart extensions installed per manual requirements.



---

---

---

**Appliance Setup**

All protective materials removed.  
 All labels have been removed from the door.  
 All packaging materials are removed from inside/under appliance.  
 Manual bag and all of its contents are removed from inside/under the appliance and given to the party responsible for use and operation.  
 Started appliance and verified that all motors and blowers operate as they should.  
 Checked draft using a Manometer. Record readings: \_\_\_\_\_  
 Checked vacuum using a Manometer. Record readings: \_\_\_\_\_



---

---

---

---

---

---

**Hearth & Home Technologies recommends the following:**

Photographing the installation and copying this checklist for your file.  
 That this checklist remain visible at all times on the appliance until the installation is complete.

**Comments:** Further description of the issues, who is responsible (Installer/Builder/Other Trades, etc.) and corrective action needed:  
 Comments communicated to party responsible \_\_\_\_\_ by \_\_\_\_\_ on \_\_\_\_\_  
 (Builder/Gen. Contractor) (Installer) (Date)

# 3 Dimensions and Clearances

## A. Appliance Dimensions

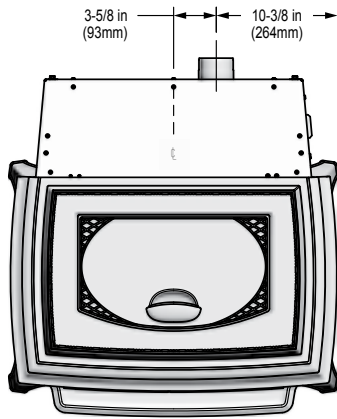


Figure 8.1 - Top View

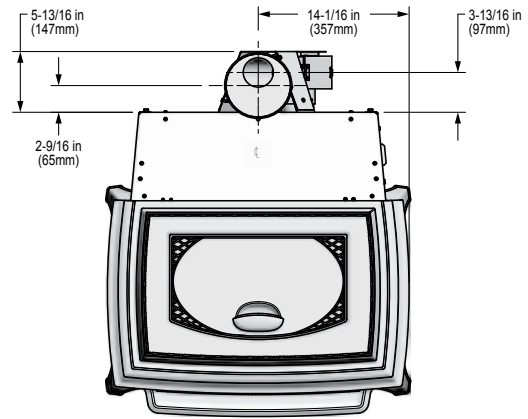


Figure 8.4 - Top View with Top Vent Adapter (TPVNT-3) and Offset Adapter (812-3570).

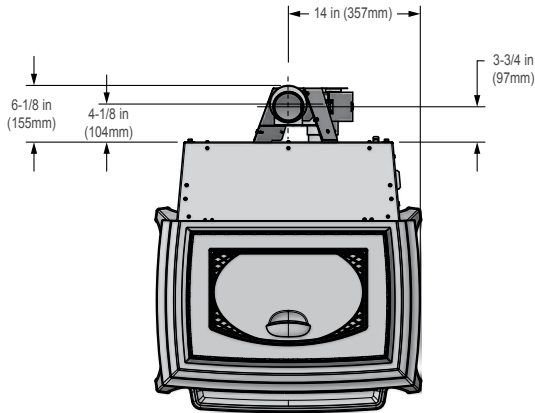


Figure 8.2 - Top View with Top Vent Adapter (TPVNT-3) and Offset Adapter (811-0720).

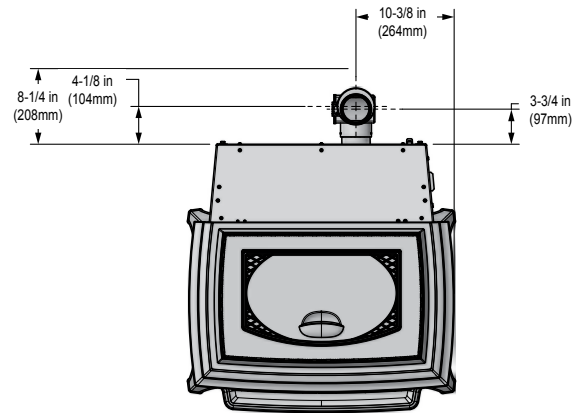


Figure 8.5 - Top View with Top Vent Adapter (TPVNT-6) and Offset Adapter (811-0720).

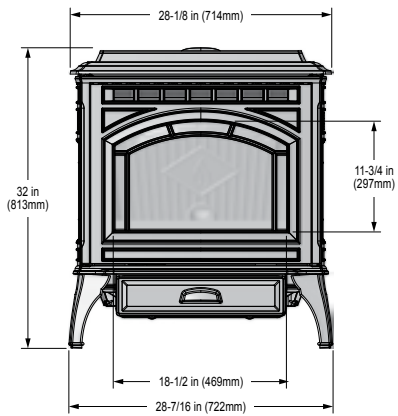


Figure 8.3 - Front View



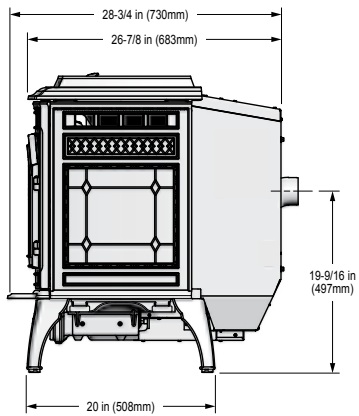


Figure 9.1 -Side View

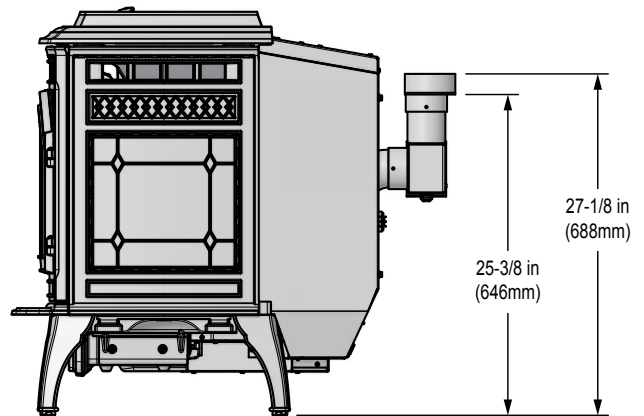


Figure 9.4 - Side View with Top Vent Adapter (TPVNT-6) and Offset Adapter (811-0720).

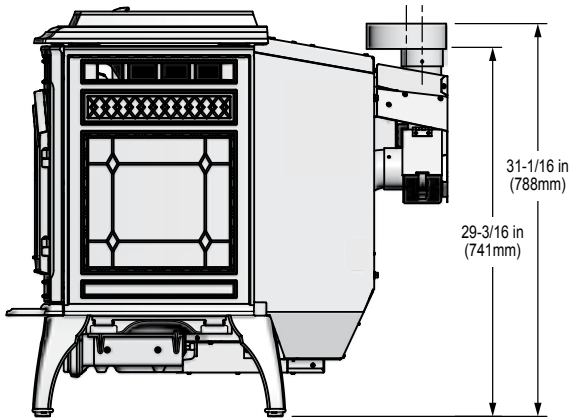


Figure 9.2 - Side View with Top Vent Adapter (TPVNT-3) and Offset Adapter (812-3570).

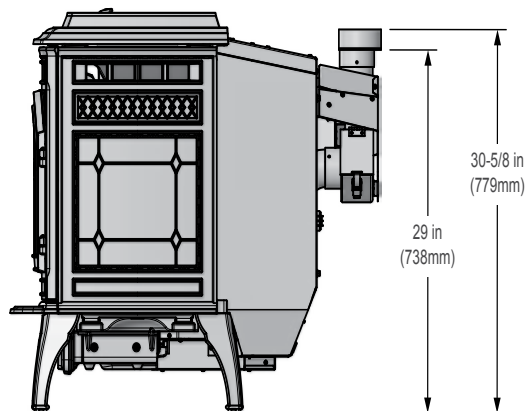
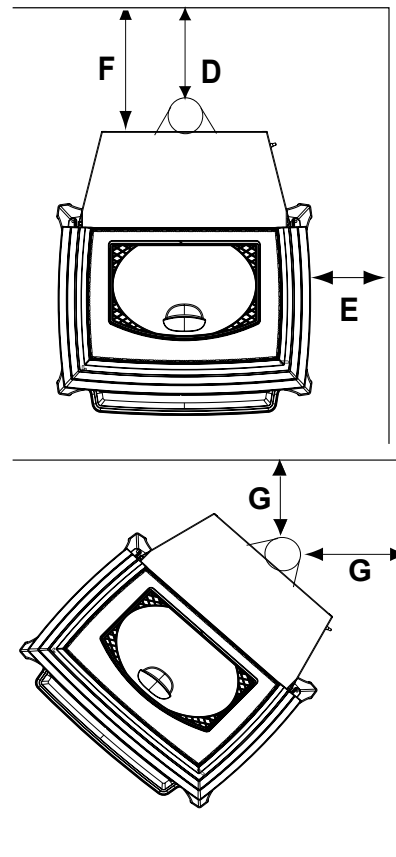
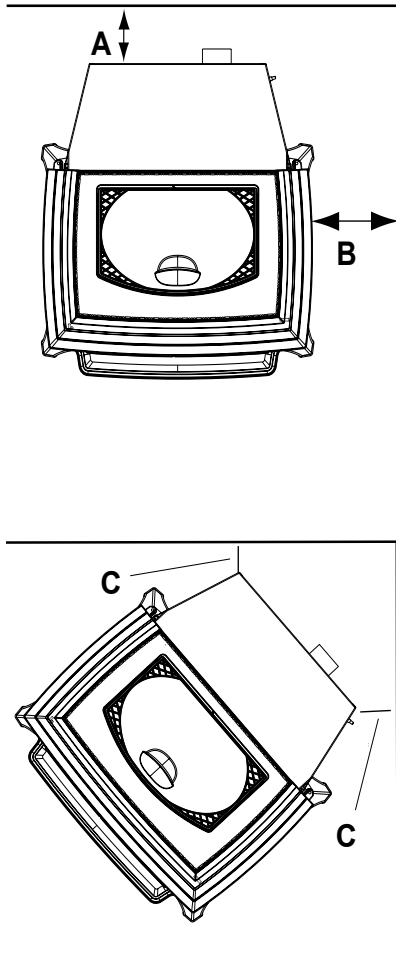


Figure 9.3 - Side View with Top Vent Adapter (TPVNT-3) and Offset Adapter (811-0720).

**B. Clearances to Combustibles (US & Canada)**

Installations with:  
 TPVNT-3 Top Vent Adapter with Heat Shield and Clean-out  
 TPVNT-6 Top Vent Adapter with Clean-out  
 811-0720 (3" to 4") Offset Adapter  
 812-3570 (3" to 6") Offset Adapter



| Horizontal Through the Wall |                        | Inches | Millimeters |
|-----------------------------|------------------------|--------|-------------|
| <b>A</b>                    | Back Wall to Appliance | 2      | 51          |
| <b>B</b>                    | Side Wall to Appliance | 6      | 152         |
| Corner Installation         |                        | Inches | Millimeters |
| <b>C</b>                    | Walls to Appliance     | 2      | 51          |

| Vertical Installation |                        | Inches | Millimeters |
|-----------------------|------------------------|--------|-------------|
| <b>D</b>              | Back Wall to Flue Pipe | 3      | 76          |
| <b>E</b>              | Side Wall to Appliance | 6      | 152         |
| <b>F</b>              | Back Wall to Appliance | 8      | 203         |
| Corner Installation   |                        | Inches | Millimeters |
| <b>G</b>              | Side Wall to Flue Pipe | 3      | 76          |

**NOTE:**

- Illustrations reflect typical installations and are FOR DESIGN PURPOSES ONLY.
- Illustrations/diagrams are not drawn to scale.
- Actual installation may vary due to individual design preference.

### C. Hearth Pad Requirements (UL & ULC)

Use a non-combustible floor protector, extending beneath appliance and to the front, sides and rear as indicated. Measure front distance "M" from the surface of the glass door.

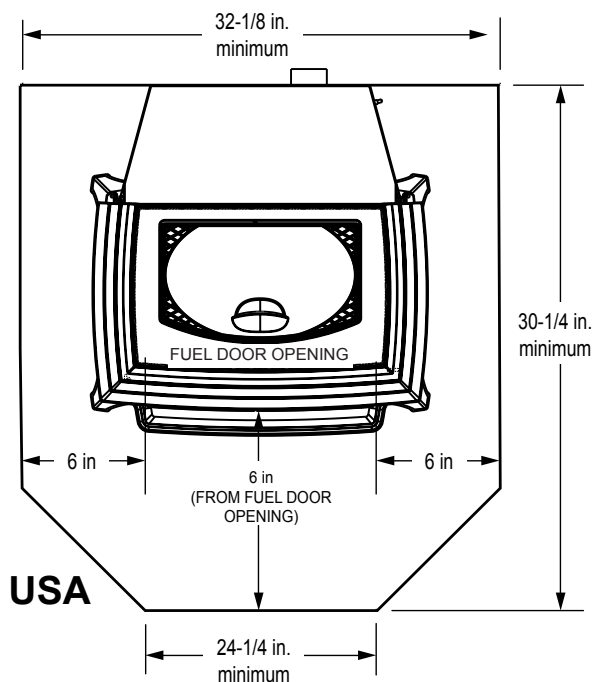


Figure 11.1

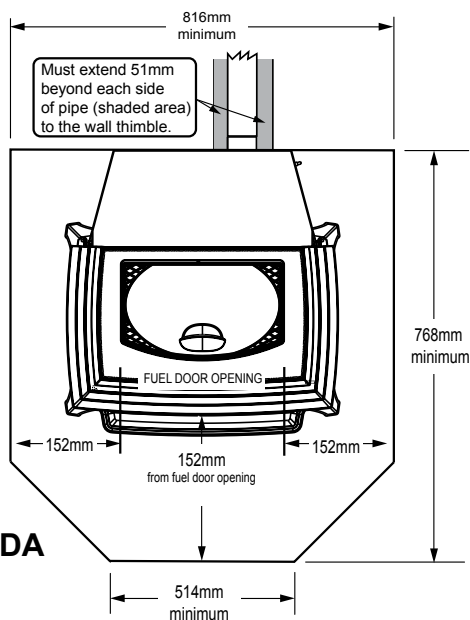


Figure 11.2

### USA INSTALLATIONS:

A non-combustible floor protection is recommended extending beneath the flue pipe when installed with horizontal venting or under the Top Vent Adapter with vertical installation.

### CANADA INSTALLATIONS:

A non-combustible floor protection extending beneath the flue pipe is required with horizontal venting or under the Top Vent Adapter with vertical installation.

|  |  |
|--|--|
|  | <b>WARNING</b>   |
|  | <p><b>Fire Risk</b><br/>Comply with all minimum clearances to combustibles as specified.<br/>Failure to comply may cause house fire.</p> |

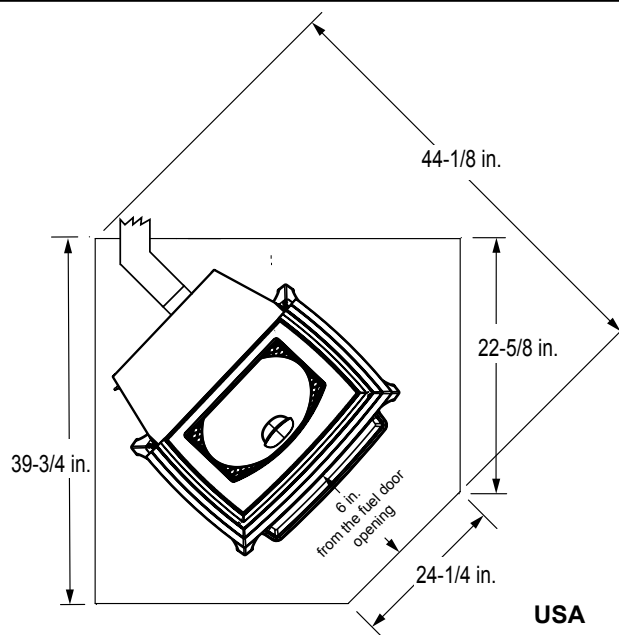


Figure 11.3

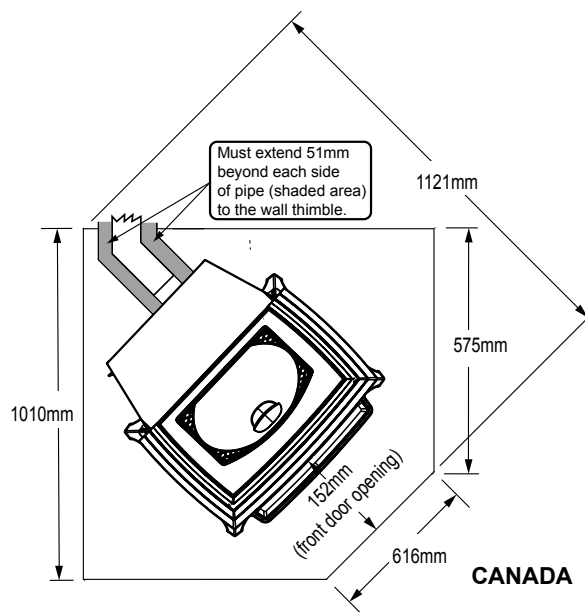


Figure 11.4

D. Alcove

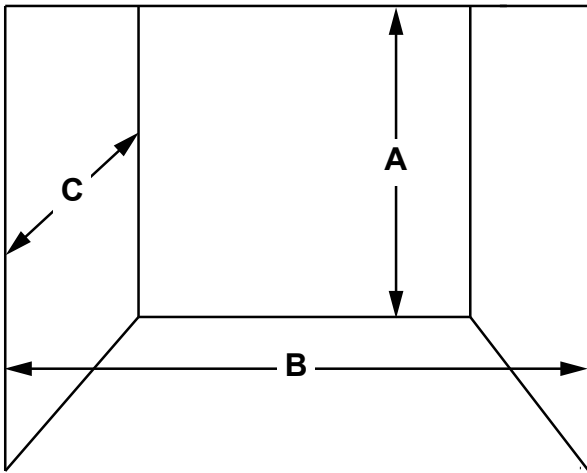


Figure 12.1

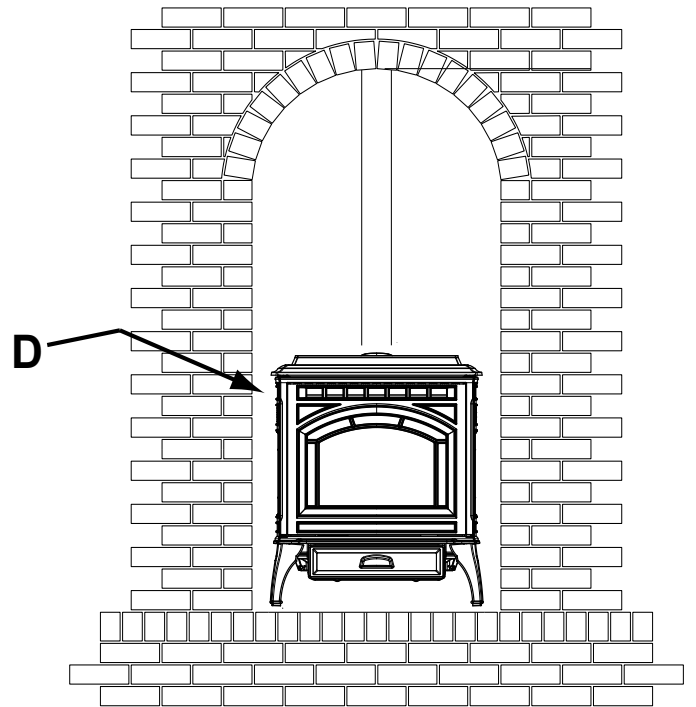


Figure 12.2

|          |              | Minimum* |             | Maximum |             |
|----------|--------------|----------|-------------|---------|-------------|
|          |              | Inches   | Millimeters | Inches  | Millimeters |
| <b>A</b> | Height       | 43       | 1092        | n/a     | n/a         |
| <b>B</b> | Width        | 40       | 1016        | n/a     | n/a         |
| <b>C</b> | Depth        | n/a      | n/a         | 36      | 914         |
| <b>D</b> | To Side Wall | 6        | 152         | n/a     | n/a         |

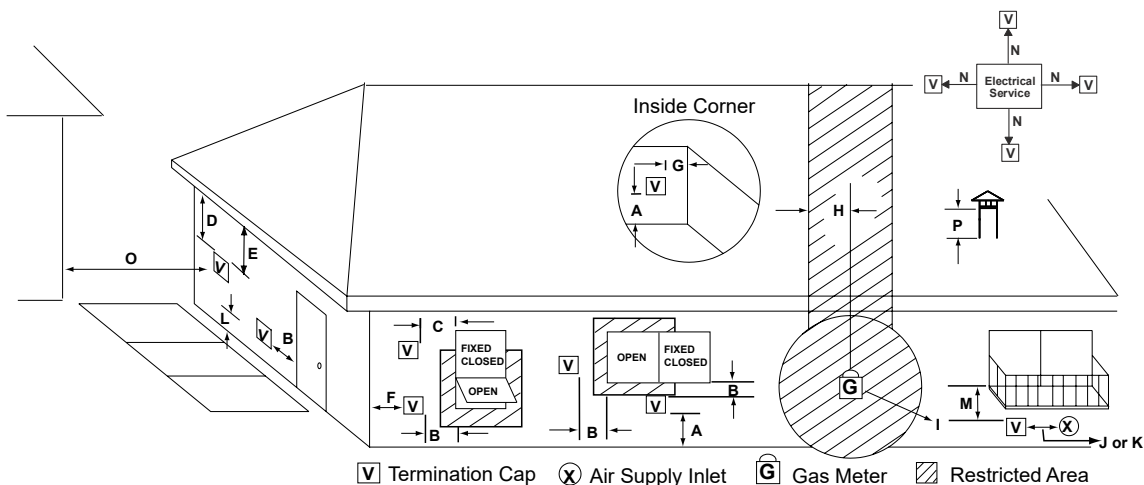
\*All minimums listed are to a combustible surface.

**NOTE:**

- Illustrations reflect typical installations and are FOR DESIGN PURPOSES ONLY.
- Illustrations/diagrams are not drawn to scale.
- Actual installation may vary due to individual design preference.

# 4 Vent Information

## A. Venting Termination Minimum Requirements



V Termination Cap  
 X Air Supply Inlet  
 G Gas Meter  
 Z Restricted Area

All minimum clearances are listed with an Outside Air Kit (OAK) installed, unless otherwise noted in table below.

|          |                                   |  |
|----------|-----------------------------------|--|
| <b>A</b> | 12 in.                            | Above Finish Grade (the grade surface must be a non-combustible material)  |
| <b>B</b> | 12 in.<br>48 in. no OAK           | Open door or window: below or to the side  |
| <b>B</b> | 12 in.                            | Open door or window: above   |
| <b>C</b> | 6 in.                             | Permanently closed window: above, below or to the side   |
| <b>D</b> | 18 in.<br>36 in. no OAK           | Vertical clearance to a ventilated soffit located above the terminal within a horizontal distance of 2 ft from the center-line of the terminal |
| <b>E</b> | 12 in.                            | Clearance to unventilated soffit   |
| <b>F</b> | 12 in.                            | Clearance to outside corner  |
| <b>G</b> | 12 in.                            | Clearance to inside corner   |
| <b>H</b> | 36 in.                            | Above gas meter/regulator measured from horizontal center-line of regulator  |
| <b>I</b> | 36 in. USA<br>72 in. Canada       | Clearance to service regulator vent outlet   |
| <b>J</b> | 12 in.<br>48 in. no OAK           | Clearance to non-mechanical air supply inlet to the building or the combustions air inlet to any other appliance                               |
| <b>K</b> | 10 ft horizontal<br>3 ft vertical | Clearance to mechanical air supply   |
| <b>L</b> | 7 ft.                             | Above paved sidewalk, paved driveway located on <u>public</u> property   |
| <b>M</b> | 12 in.                            | Under an open veranda, porch, deck or balcony  |
| <b>N</b> | See Note below*                   | Electric service: above, below or to the side (location must not obstruct or interfere with access)  |
| <b>O</b> | 24 in.                            | Adjacent building, fences and protruding parts of the structure  |
| <b>P</b> | 12 in.                            | Clearance above roof line for vertical terminations  |

|                                     |   |
|-------------------------------------|---|
| 24 in.                              | Above grass, top of plants, wood or any other combustible           |
| 12 in.<br>36 in. no OAK             | Clearance from any forced air intake of other appliance             |
| 12 in.                              | Clearance horizontally from combustible wall                        |
| 15 in.                              | Vented directly through a wall, minimum length of horizontal pipe   |
| 6 in. horizontal<br>12 in. vertical | Minimum horizontal or vertical terminations must protrude from wall |

**NOTICE:** Termination must exhaust above air inlet elevation.

- It is recommended that at least 60 inches (1.52m) of vertical pipe be installed when appliance is vented directly through a wall. This will create a natural draft, which will help prevent the possibility of smoke or odor venting into the home during a power outage.
- It will also keep exhaust from causing a nuisance or hazard by exposing people or shrubs to high temperatures.
- The safest and preferred venting method is to extend the vent vertically through the roof or above the roof.

**NOTICE: Do NOT Terminate Vent:**

- In any location that will allow flue gases or soot from entering or staining the building.
- In any location which could create a nuisance or hazard.
- In any enclosed or semi-enclosed area such as a carport, garage, attic, crawl space, under a sun deck or porch, narrow walkway.
- Closely fenced area, or any location that can build up a concentration of fumes such as a stairwell, covered breezeway, etc.

**\*NOTE:** Consult local building, fire officials or authorities having jurisdiction. Local codes or regulations may require different clearances.

**B. Avoiding Smoke and Odors**

**Negative Pressure, Shut-Down and Electrical Power Failure**

To reduce the probability of back-drafting or burn-back in the pellet appliance during power failure or shut down conditions, it must be able to draft naturally without exhaust blower operation.

Negative pressure in the house will resist this natural draft if not accounted for in the pellet appliance installation.

Heat rises in the house and leaks out at upper levels. This air must be replaced with cold air from outdoors which flows into lower levels of the house.

Vents and chimneys into basements and lower levels of the house can become the conduit for air supply and reverse under these conditions.

**Outside Air**

An outside air kit (OAK-3) is recommended in all installations and must be ordered separately.

Per national building codes, consideration must be given to combustion air supply to all combustion appliances. Failure to supply adequate combustion air for all appliance demands may lead to back drafting of those and other appliances.

When the appliance is roof vented (strongly recommended):

- The air intake is best located on the exterior wall oriented towards the prevailing wind direction during the heating season.

When the appliance is side-wall vented:

- The air intake is best located on the same exterior wall as the exhaust vent outlet and located lower on the wall than the exhaust vent outlet.

The outside air supply kit can supply most of the demands of the pellet appliance, but consideration must be given to the total house demand.

House demand may consume the air needed for the appliance. It may be necessary to add additional ventilation to the space in which the pellet appliance is located.

Consult with your local HVAC professional to determine the ventilation demands for your house.


**Vent Configurations**

When installing a pellet appliance with a horizontal vent configuration the frequency of power outages should be considered:

- Power outages during operation will cause the appliance to immediately turn off and may create conditions where smoke will back draft into the house. In order to reduce the likelihood of smoke back drafting into the house during a power outage, Hearth and Home Technologies strongly suggests:
  - Installing the pellet venting with a minimum vertical run of 5 feet (1.52m).
  - Installing the outside air kit at least 4 feet (1.22m) below the vent termination.

To prevent soot damage to exterior walls of the house and to prevent re-entry of soot or ash into the house:

- Maintain specified clearances to windows, doors and air inlets, including air conditioners.
- Vents should not be placed below ventilated soffits. Run the vent above the roof.
- Avoid venting into alcove locations.
- Vents should not terminate under overhangs, decks or onto covered porches.
- Maintain minimum clearance of 12 inches (305mm) from the vent termination to the exterior wall. If you see deposits developing on the wall, you may need to extend this distance to accommodate your installation conditions.

|  |                       |
|--|-----------------------|
|    | <p><b>CAUTION</b></p> |
| <ul style="list-style-type: none"> <li>• DO NOT CONNECT THIS APPLIANCE TO A CHIMNEY FLUE SERVICING ANOTHER APPLIANCE.</li> <li>• DO NOT CONNECT TO ANY AIR DISTRIBUTION DUCT OR SYSTEM.</li> </ul> |                       |

## C. Negative Pressure



### WARNING

#### Risk of Asphyxiation!

Negative pressure can cause spillage of combustion fumes and soot

Negative pressure results from the imbalance of air available for the appliance to operate properly. It can be strongest in lower levels of the house.

#### Causes include:

- Exhaust fans (kitchen, bath, etc.)
- Range hoods
- Combustion air requirements for furnaces, water appliances and other combustion appliances
- Clothes dryers
- Location of return-air vents to furnace or air conditioning
- Imbalances of the HVAC air handling system
- Upper level air leaks such as:
  - Recessed lighting
  - Attic hatch
  - Duct leaks

#### To minimize the effects of negative air pressure:

- Install the outside air kit with the intake facing prevailing winds during the heating season
- Ensure adequate outdoor air for all combustion appliances and exhaust equipment
- Ensure furnace and air conditioning return vents are not located in the immediate vicinity of the appliance
- Avoid installing the appliance near doors, walkways or small isolated spaces
- Recessed lighting should be a "sealed can" design
- Attic hatches weather stripped or sealed
- Attic mounted duct work and air handler joints and seams taped or sealed

## D. Draft

Draft is the pressure difference needed to vent an appliance successfully. When an appliance is drafting successfully, all combustion byproducts are exiting the home through the chimney.

Install through the warm airspace enclosed by the building envelope. This helps to produce more draft, especially during lighting and die-down of the fire.

#### Considerations for successful draft include:

- Preventing negative pressure
- Location of appliance and chimney

**NOTICE:** Hearth & Home Technologies assumes no responsibility for the improper performance of the chimney system caused by:

- Inadequate draft due to environmental conditions
- Down drafts
- Tight sealing construction of the structure
- Mechanical exhausting devices

## E. Chimney and Exhaust Connection

### 1. Chimney & Connector:

Use 3 or 4 inch (76-102mm) diameter type "L" or "PL" venting system. It can be vented vertically or horizontally.

**NOTE:** The appliance exhaust outlet is designed to accommodate 3 inch venting. Use of 4 inch venting requires the use of a 3-to-4 inch exhaust vent increaser in addition to any other venting components needed, sold separately.

### 2. Mobile Home:

Approved for all Listed pellet vent. If using the 3 inch (76mm) vertical Top Vent Adapter Kit or the 3 to 6 inch (76-152mm) Top Vent Offset Adapter, use Listed double wall flue connector. A Quadra-Fire Outside Air Kit (OAK-3) must be used with manufactured home installations.

### 3. Residential:

The 3 inch (76mm) vertical Top Vent Adapter Kit and the 3 to 6 inch (76-152mm) Top Vent Offset Adapter are tested to use 24 gauge single wall flue connector or Listed double wall flue connector to Class A Listed metal chimneys, or masonry chimneys meeting International Residential Code standards for solid fuel appliances.

### 4. **INSTALL VENT AT CLEARANCE SPECIFIED BY THE VENT MANUFACTURER.**

5. Secure exhaust venting system to the appliance with at least 3 screws. Also secure all connector pipe joints with at least 3 screws through each joint.
6. **DO NOT INSTALL A FLUE DAMPER IN THE EXHAUST VENTING SYSTEM OF THIS APPLIANCE.**
7. **DO NOT CONNECT THIS APPLIANCE TO A CHIMNEY FLUE SERVING ANOTHER APPLIANCE.**

**NOTE:** All pipe must be welded seam pipe whenever possible. Seal pipe joints with high temperature silicone (500°F [260°C] minimum rated only).



### WARNING

USE ONLY RECOMMENDED VENTING COMPONENTS; OTHERWISE MAKESHIFT PARTS MAY RESULT IN PROPERTY DAMAGE, PERSONAL INJURY, OR DEATH.

### F. Equivalent Feet of Pipe

The table below can help you calculate the equivalent feet of pipe which is a method used to determine pellet vent size (Figure 16.1).

### WARNING

Vent surfaces get HOT, can cause burns if touched. Non-combustible shielding or guards may be required.

#### Example of 3 Elbow-Rear Vent Termination Calculation

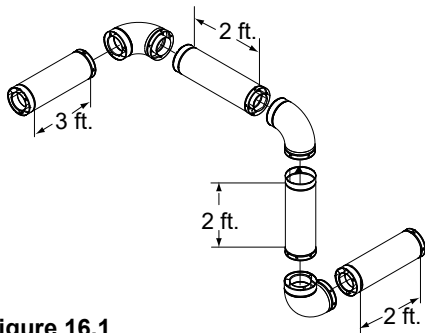


Figure 16.1

| Pellet Venting Component     | # of Elbows | Feet of Pipe | Multiplied By | Equivalent Feet | Components Equivalent Feet |
|------------------------------|-------------|--------------|---------------|-----------------|----------------------------|
| 90° Elbow or Tee             | 3           |              | X             | 5               | 15                         |
| 45° Elbow                    |             |              | X             | 3               |                            |
| Horizontal Pipe              |             | 7            | X             | 1               | 7                          |
| Vertical Pipe                |             | 2            | X             | 0.5             | 1                          |
| <b>Total Equivalent Feet</b> |             |              |               |                 | <b>23</b>                  |

Table 16.1

**NOTE:** This is a generic example and is not intended to represent any specific fuel type.

### G. Pipe Selection Chart

The chart will help you in determining proper venting size according to the equivalent feet of pipe calculated previously and the altitude above sea level of this installation (Figure 16.2).

1. Locate the calculated equivalent feet of pipe on the vertical left side of the chart.
2. Move to the right horizontally on the chart until you reach your altitude above sea level.
3. If you fall below the diagonal line, 3 or 4 inch (76 to 102mm) pipe may be used.
4. If it is anywhere above the diagonal line, a 4 inch (102mm) diameter pipe is required.

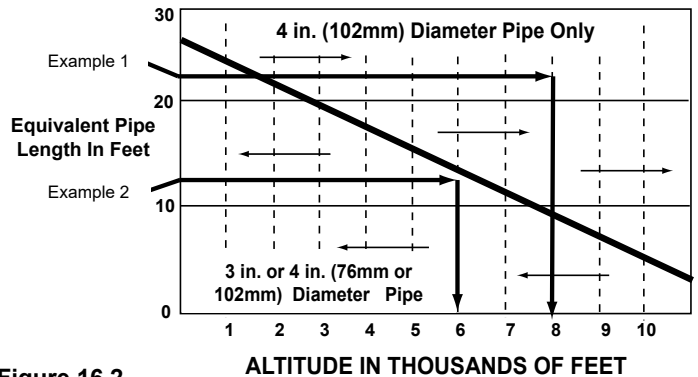


Figure 16.2

**Example 1:** If the equivalent length of pipe is 23 feet (7m) with altitude of 8,000 feet (2438m) you must use 4 inch (102mm) diameter type “L” or “PL” vent.

**Example 2:** If the equivalent length of pipe is 12 feet (3.7m) with altitude of 6,000 feet (1829m) you may use 3 or 4 inch (76 to 102mm) diameter type “L” or “PL” vent.

**NOTICE:** A 90° elbow is 5 times as restrictive to the flow of exhaust gases under positive pressure as 1 foot (305mm) of horizontal pipe. A foot of horizontal pipe is twice as restrictive as a foot of vertical pipe.

### WARNING

**Risk of Fire!**

- Only LISTED venting components may be used.
- NO OTHER vent components may be used.
- Substitute or damaged vent components may impair safe operation.

### WARNING

**Risk of Injury or Property Damage.**

- Improper installation, adjustment, alteration, service or maintenance can cause injury or property damage.
- Refer to the owner’s information manual provided with this appliance.
- For assistance or additional information consult a qualified installer, service agency or your dealer.



# 5 Venting Systems

## A. Through The Wall

Horizontal termination cap must be a minimum of 6 inches. (152mm) from the wall. Approved for mobile home installations. Must use 3 or 4 inch (76-102mm) "L" or "PL" Listed pellet venting or Listed double wall pipe and a Quadra-Fire Outside Air Kit in mobile homes.

**NOTE:** In Canada, where passage through a wall or partition of combustible construction is desired, the installation shall conform to **CAN/CSA-B365**

**NOTICE:** Please note that while the minimum clearance for the termination cap is 6 inches (152mm) there is the possibility of soot build-up around the termination area. If this occurs we suggest to move the termination further away from the house to prevent it.



### CAUTION

We strongly recommend that you **DO NOT DOWNWARD VENT**. The following may occur:

- The appliance will not vent properly
- Smoke spillage in the house
- Excessive sooting

## Straight Out

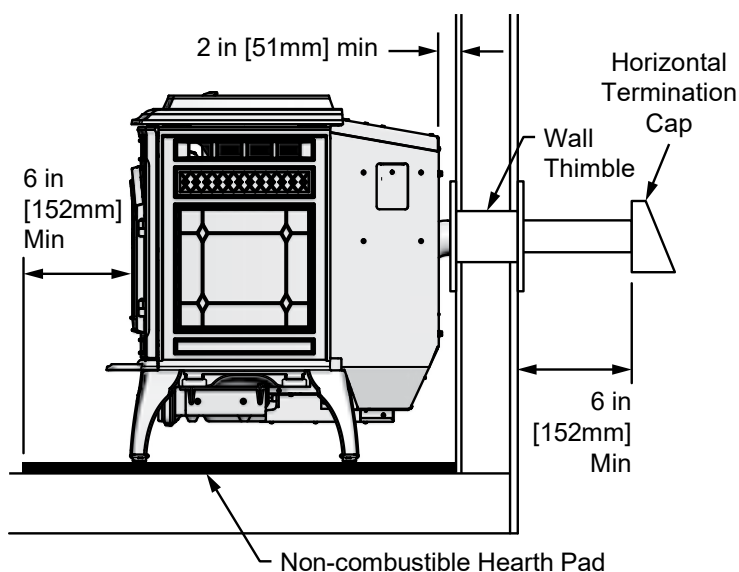


Figure 17.1

## 45 Degree

Illustration shows venting going in both directions. Choose which one is best for your installation.

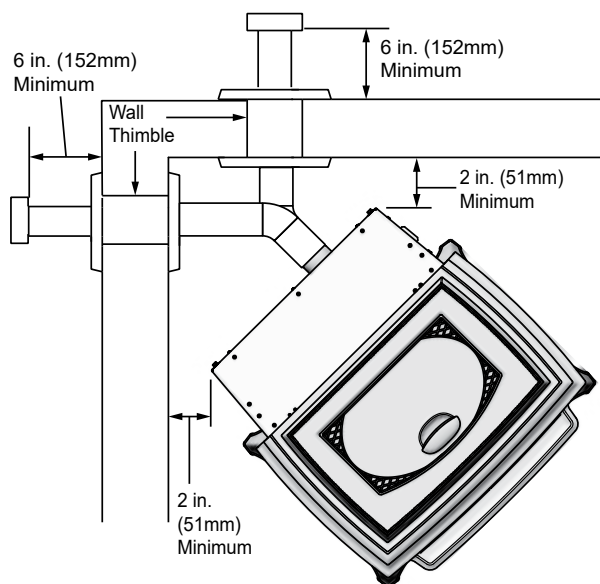


Figure 17.2

**B. Vertical into Existing Class A Chimney**

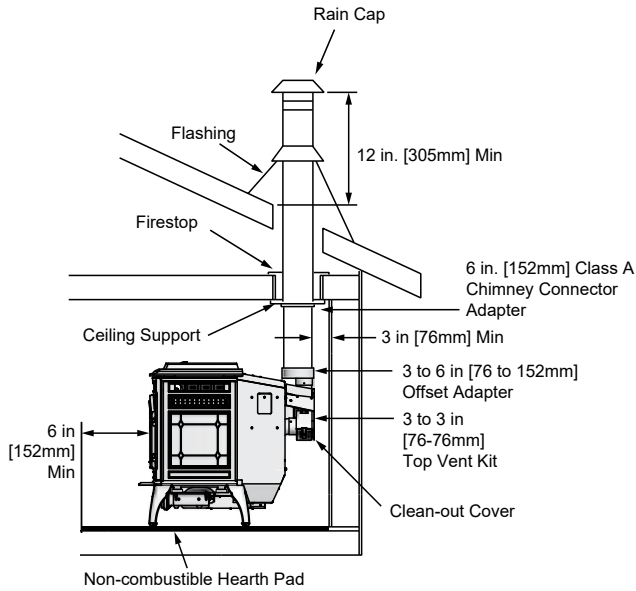


Figure 18.1

We recommend a minimum of 60 inches (1524mm) vertical, however above the eave is preferred.

All three installations are approved for mobile home installations. Must use 3 or 4 inch (76 to 102mm) “L” or “PL” Listed pellet venting or Listed double wall pipe and Quadra-Fire Outside Air Kit in mobile homes. Single wall pipe is approved for residential installations only.

**\*NOTE:** Clearance to combustibles are for standard pellet pipe. If pellet pipe manufacturer allows reduced clearances to their pipe, reduced clearances are allowed.

**NOTE:** A chimney connector shall not pass through an attic or roof space, closet or similar concealed space, or a floor or ceiling.

**C. Through The Wall & Vertical - Exterior**

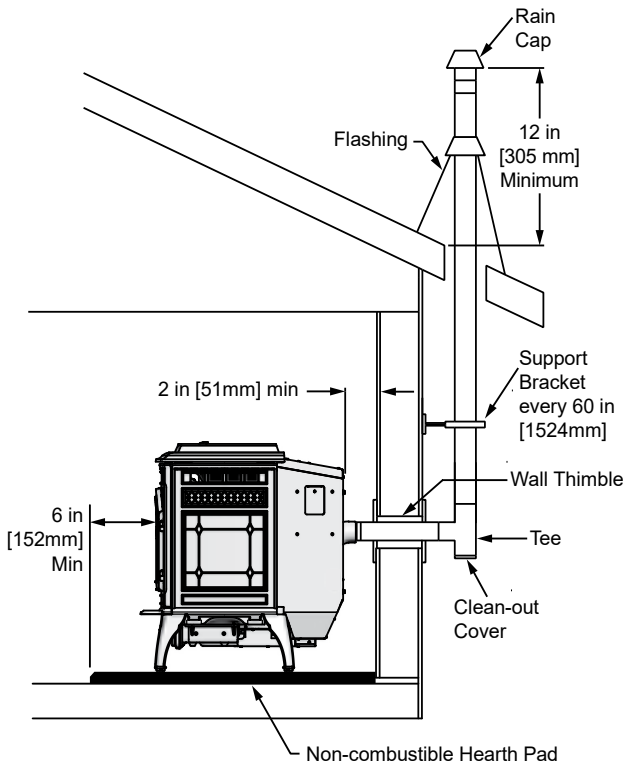


Figure 18.2

**D. Vertical - Interior - Typical Installation**

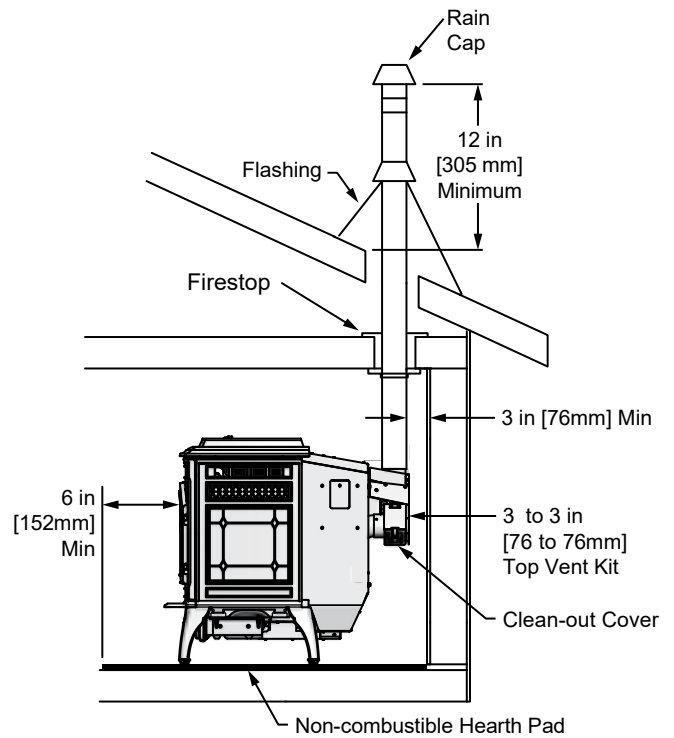


Figure 18.3

### E. Masonry

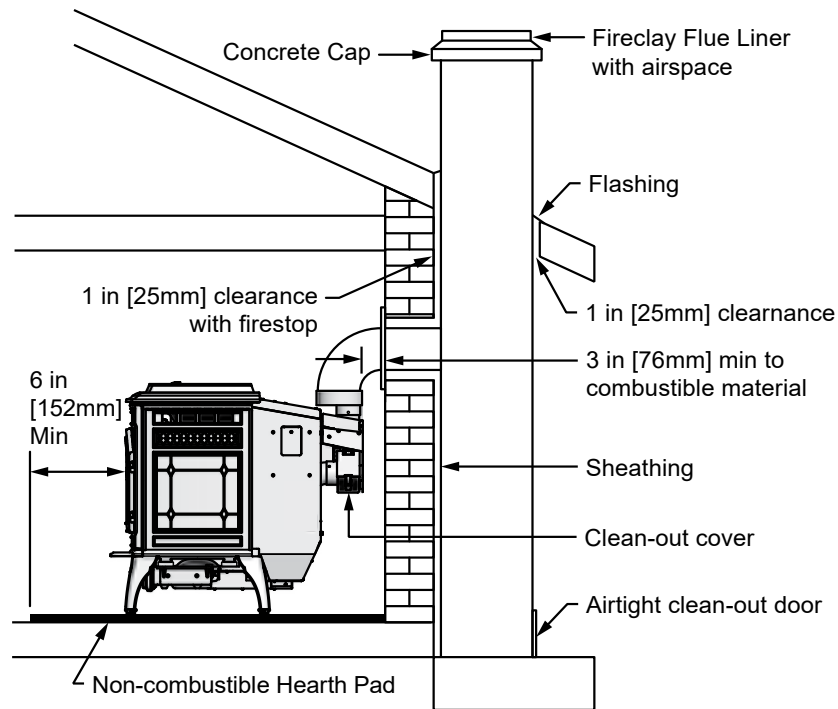


Figure 19.1

### F. Alternate Masonry

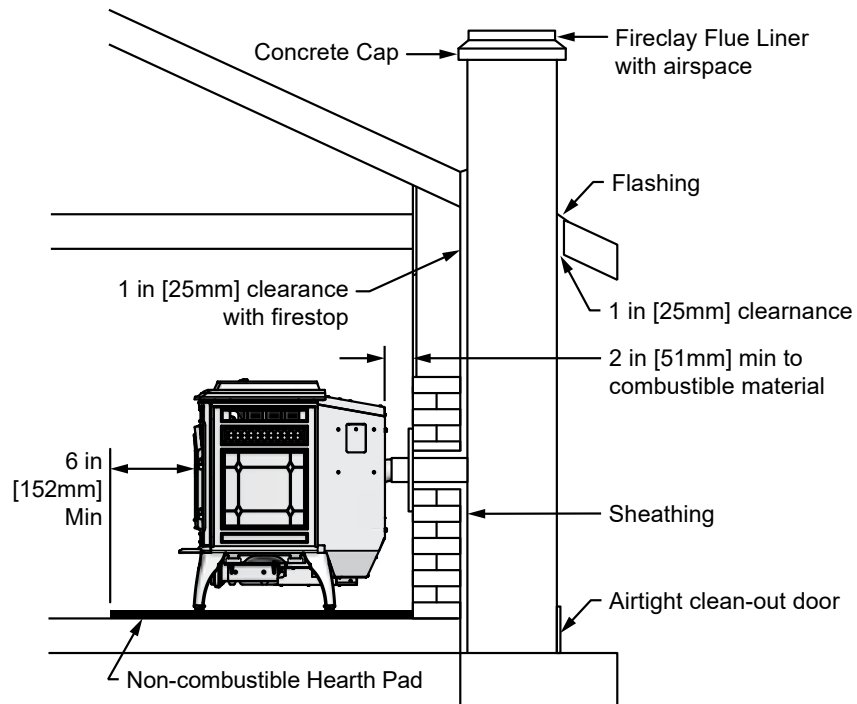




Figure 19.2

|  |  |
|--|--|
|  <b>WARNING</b> |  |
|                 | <b>Fire Risk.</b>  |
|  | <p>Inspection of Chimney:</p> <ul style="list-style-type: none"> <li>• Masonry chimney must be in good condition.</li> <li>• Meets minimum standard of <b>NFPA 211</b></li> <li>• Factory-built chimney must be a minimum 6 inch (152mm) <b>UL103 HT.</b></li> </ul> |

# 6 Appliance Set-Up

## A. Leg Leveling System

1. Thread Allen bolts through nuts until flush (**Figure 20.1**). The Allen bolts and nuts are included in the component pack inside the appliance firebox.
2. Slide assembled nuts and bolts into slots on legs with the nuts on the bottom (**Figure 20.2**). Use a 5/32 in. (3.96mm) Allen wrench to adjust legs up and down to desired level (**Figure 20.3**).

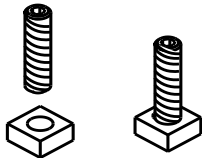


Figure 20.1

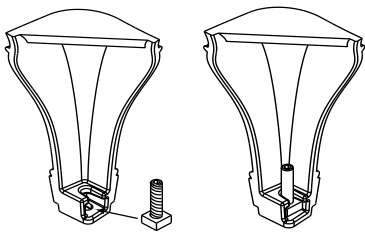


Figure 20.2

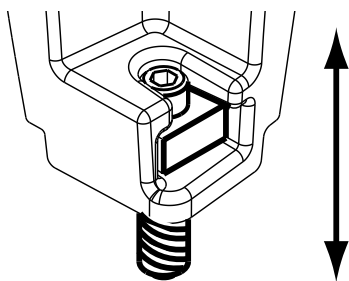


Figure 20.3 - Bolt fully extended

## B. Outside Air Kit Instructions



### CAUTION

**Never draw outside combustion air from:**

- Wall, floor or ceiling cavity
- Enclosed space such as an attic or garage

**Included in Kit:** 2 wire ties, 1 collar assembly, 1 termination cap assembly, 1 trim ring, fasteners.

**NOTE:** 3 INCH ALUMINUM FLEX PIPE NOT INCLUDED.

Tools Needed: Phillips head screw driver; wire cutters hole saw or jig saw.

1. Measure distance from floor to air vent opening in appliance and mark location on wall.
  - Use saw to cut opening in wall. Cut a 3-1/2 to 4 inch (89-102mm) opening on inside wall and a 4 to 4-1/2 inch (102-114mm) opening on outside of house.
2. Use wire tie to secure flex pipe to collar assembly.
3. Slide trim ring over flex pipe and run pipe through wall.
4. Attach flex pipe (not supplied) to outside termination cap with second wire tie.
5. Secure termination cap to outside surface.
6. Secure trim ring to interior wall.

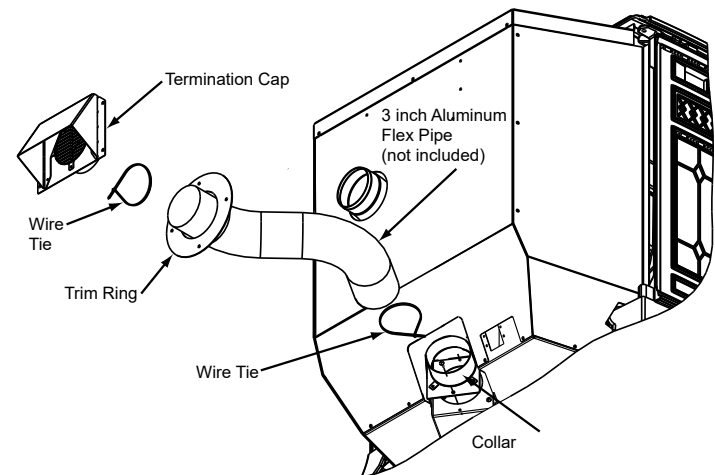


Figure 20.4 - OAK exploded view

## C. Top Vent Adapter Installation

3 to 3 inch (76-76mm) Top Vent Adapter  
3 to 6 inch (76-152mm) Top Vent Offset Adapter

### Installing the Top Vent Adapter

1. Put a layer of high temperature silicone on the 3 inch (76mm) exhaust outlet. Do not put silicone inside of pipe (**Figure 21.1**).
2. Slide the top vent adapter onto the rear exhaust outlet and adjust the assembly to a vertical position until the top of the flue outlet is centered and is in a level position (**Figure 21.1**).
3. Align slot on left of adapter with hole in the back of the appliance and secure with screw. You may drill out the hole using #26 drill bit provided but only if needed (**Figure 21.2**).
4. Install the 5 mounting screws, 3 on the left and 2 on the right.
5. Drill 2 holes with #26 drill bit through the rear exhaust outlet using the 2 holes already in the short horizontal pipe in the top vent adapter as a guide. Install the screws.
6. Install the vent pipe into the top vent adapter (be sure to silicone all joints). To use an existing 6 inch (152mm) vent system, install the 3 to 6 in (76-152mm) offset adapter before installing vent pipe.
7. To clean top vent adapter, open clean-out cover and remove any debris build-up (**Figure 21.2**).

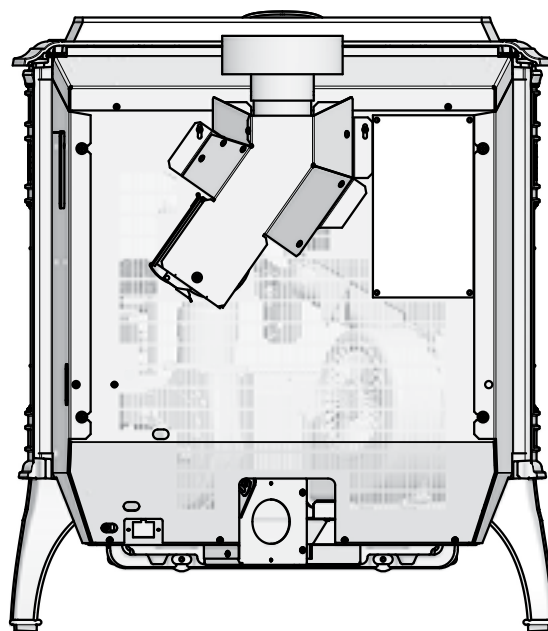


Figure 21.2

## D. Rear Vent & Rear Vent to Top Vent Adapter

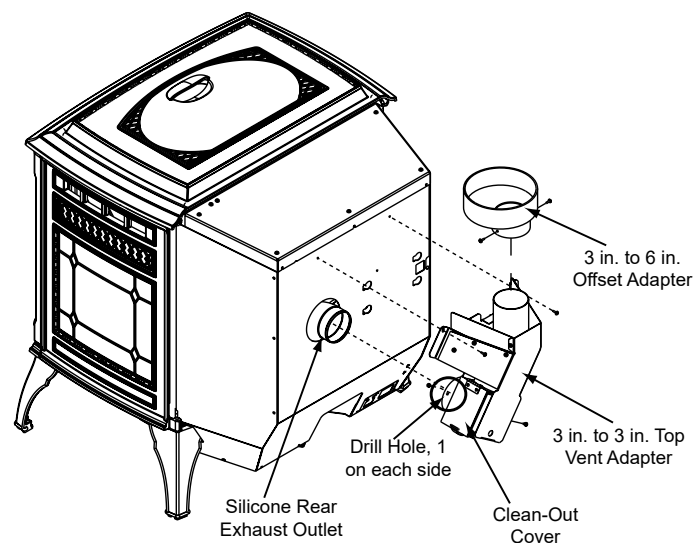


Figure 21.1

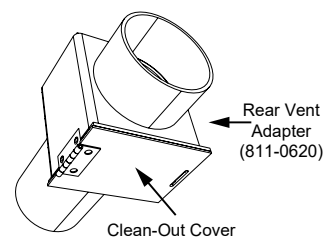


Figure 21.3 - Rear Vent Adapter

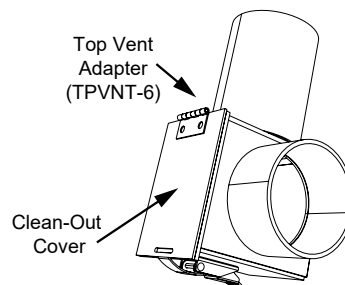


Figure 21.4 - Rear to Top Vent Adapter - 90°

1. Put a layer of high temperature silicone on the 3 inch (76mm) exhaust outlet. Do not put silicone inside of pipe (**Figure 21.1**).
2. Slide the adapter onto the rear exhaust outlet and adjust the assembly to the appropriate position.
3. Install the vent pipe into the adapter (be sure to silicone all joints)

### E. Optional Log Set Placement Instructions 2 PIECE LOG SET INSTALLATION

1. Place the left log as shown. There are 2 indentations in the bottom of the log to fit over the screw heads in the firebox (**Figures 22.1 and 22.2**).
2. Place the right log in front of the 2 screw heads in the firebox (**Figures 22.3 and 22.4**).

#### CAUTION

Logs are FRAGILE. Use extreme care when handling or cleaning logs.

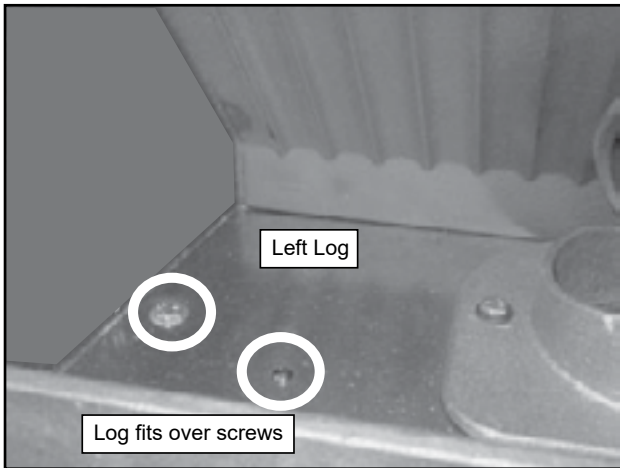


Figure 22.1

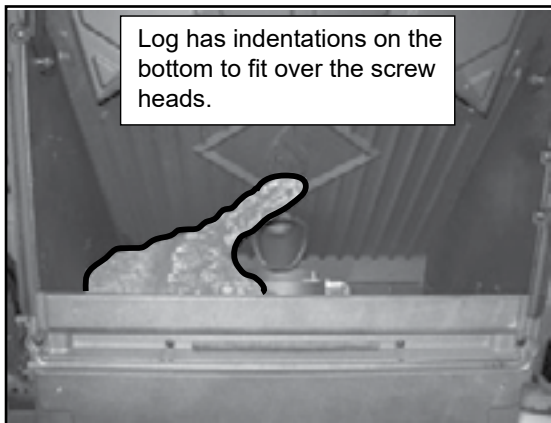


Figure 22.2

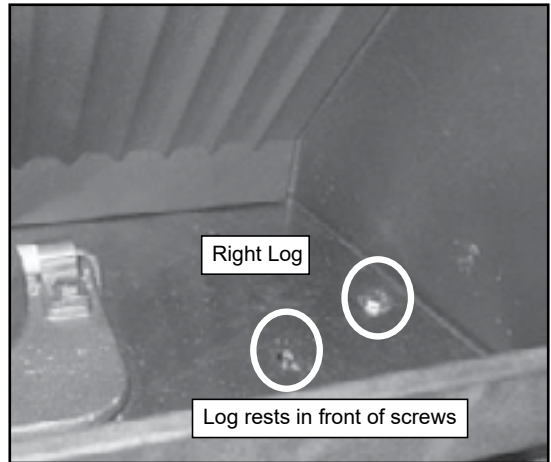


Figure 22.3



Figure 22.4

**NOTICE:** Due to the abrasive nature of a pellet appliance fire, the logs are not covered under warranty. Any placement variation other than shown here can cause excessive heat and shall void the appliance warranty.

## F. Installation of User Interface

### Bluetooth Key

Plug the Bluetooth key into the appliance (Figure 23.1)

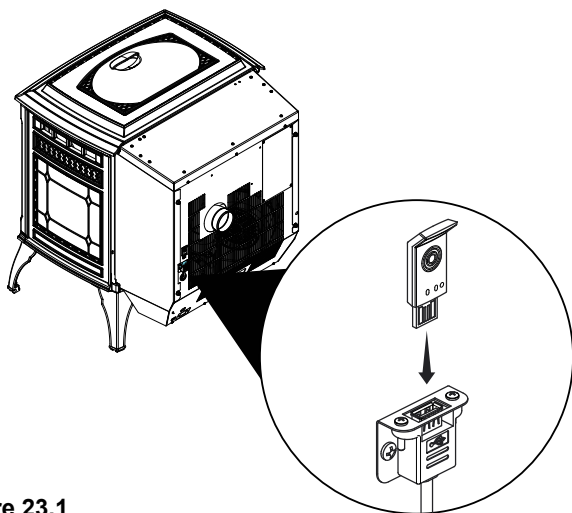


Figure 23.1

## G. Power to Appliance and User Interface

1. Prior to installing the power cord, turn the user interface to OFF.
2. Make sure the was receptacle has 120vac output.

**NOTE:** Using a circuit protector can protect the appliance circuits from power surges.

3. The appliance receptacle is located on its lower, back right hand corner. Install the cord to the appliance reception and to the wall (Figure 23.3).
  - This will cause the combustion blower to turn on for approximately 45 seconds and run a systems check.

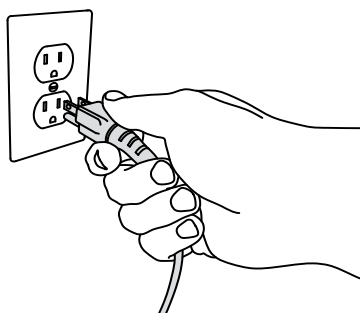


Figure 23.2



### CAUTION



#### Shock hazard.

- Do NOT remove grounding prong from plug.
- Plug directly into properly grounded 3 prong receptacle.
- Route cord away from appliance.
- Do NOT route cord under or in front of appliance.

Install batteries (Figure 23.4)

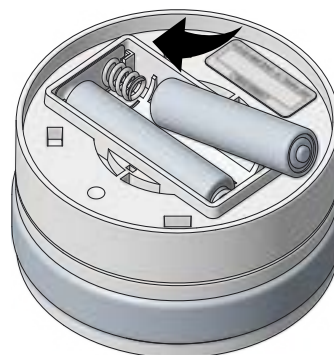


Figure 23.3

**NOTE:** See user interface manual on how to operate the user interface.

## H. Location & Mounting User Interface

**NOTICE:** DO NOT use if not properly mounted to a wall.

To ensure you have a reliable Bluetooth Connection locate the user interface:

- Maximum distance of 30 foot from appliance
- On an interior wall
- 5 feet from the floor
- Not behind doors, bookcases or other objects
- Away from drafts and direct heat from the appliance

**NOTICE:** Verify stable connection before mounting the user interface.

While we state a maximum range of 30 feet, we recommend pairing the user interface to the appliance and accessing the diagnostics menu to view the Bluetooth signal strength prior to selection of final mounting location for the user interface.

While viewing the signal strength on the diagnostics menu, move the user interface to the desired location and look at the signal strength.

- Ideally, the user interface should be located where the signal strength is better than -78db. The closer the number is to 0, the better the signal strength.
- Occasionally, the signal strength may decrease to as low as -79db, which is considered normal.
- However, a steady wireless signal strength of -79db may still connect and function, but may affect the reliability of the Bluetooth connection.

Mount base plate using screws and anchors provided using the level as a guide as shown in Figure 23.4. It is recommended to mount at least one screw into a stud. If necessary drill 3/16 holes for drywall or drill 7/32 for plaster.

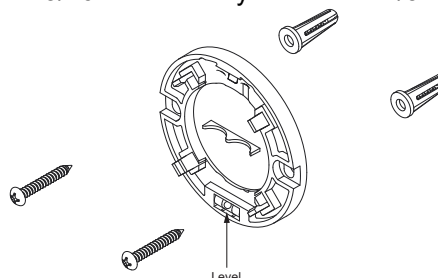



Figure 23.4

# 7 Mobile Home Installation

You must use a Quadra-Fire Outside Air Kit for installation in a mobile home.

1. An outside air inlet must be provided for the combustion air and must remain clear of leaves, debris, ice and/or snow. It must be unrestricted while the appliance is in use to prevent room air starvation which causes smoke spillage. Smoke spillage can also set off smoke alarms.
2. The combustion air duct system must be made of metal. It must permit zero clearance to combustible construction and prevent material from dropping into the inlet or into the area beneath the dwelling and contain a rodent screen.
3. The appliance must be secured to the mobile home structure by bolting it to the floor (using lag bolts). Use the same holes that secured the appliance to the shipping pallet.
4. The appliance must be grounded with #8 solid copper grounding wire or equivalent, terminated at each end with an NEC approved grounding device.
5. Refer to Clearances to Combustibles and floor protection requirements on [page 10](#) for listings to combustibles and appropriate chimney systems.
6. Use silicone to create an effective vapor barrier at the location where the chimney or other component penetrates to the exterior of the structure.
7. Follow the chimney manufacturer's instructions when installing the vent system for use in a mobile home.
8. Installation shall be in accordance with the **Manufacturers Home & Safety Standard (HUD) CFR 3280, Part 24.**

**PART NUMBER: OAK-3**

|   |                |
|---|----------------|
|   | <b>CAUTION</b> |
| <p>THE STRUCTURAL INTEGRITY OF THE MOBILE HOME FLOOR, WALL AND CEILING/ROOF MUST BE MAINTAINED</p> <p><b>Do NOT cut through:</b></p> <ul style="list-style-type: none"> <li>• Floor joist, wall, studs or ceiling trusses.</li> <li>• Any supporting material that would affect the structural integrity.</li> </ul> <p>This appliance is to be connected to a factory-built chimney conforming to <b>CAN/ULC-S629</b>, Standard for 650°C Factory-Built Chimneys.</p> <p>For removal of the chimney for mobile home transportation, contact the proper transportation officials.</p> |                |

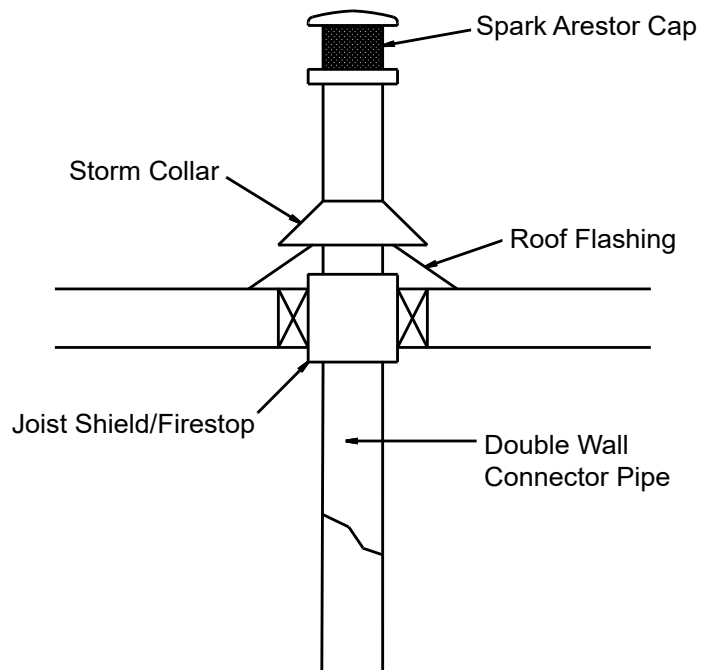





Figure 24.1

|   |                |
|---|----------------|
|    | <b>WARNING</b> |
| <p>Products of combustion generate carbon monoxide and different fuels generate different levels. Carbon monoxide</p> <ul style="list-style-type: none"> <li>• Only use approved fuels in this appliance.</li> <li>• Always keep door shut during operation. Operating this appliance with doors open can allow CO to leak into the home.</li> </ul> <p>CO can kill you before you are aware it is in your home. At lower levels of exposure, CO causes mild effects that are often mistaken for the flu. These symptoms include headaches, dizziness, disorientation, nausea and fatigue. The effects of CO exposure can vary greatly from person to person depending on age, overall health and the concentration and length of exposure.</p> |                |

|  |                |
|--|----------------|
|    | <b>CAUTION</b> |
| <p><b>Never draw outside combustion air from:</b></p> <ul style="list-style-type: none"> <li>• Wall, floor or ceiling cavity</li> <li>• Enclosed space such as an attic or garage</li> </ul> |                |

|  |                |
|--|----------------|
|    | <b>WARNING</b> |
| <p><b>It is critical to have a working smoke detector installed in the home of appliance operation.</b></p> <ul style="list-style-type: none"> <li>• Smoke alarms that are properly installed and maintained play a vital role in reducing fire deaths and injuries. Having a working smoke alarm reduces the chance of fire related injuries..</li> </ul> |                |

|  |                |
|--|----------------|
|  | <b>WARNING</b> |
| <p><b>NEVER INSTALL IN A SLEEPING ROOM.</b></p>                                      |                |





---

---

| Date of Service | Performed By | Description of Service |
|-----------------|--------------|------------------------|
|                 |              |                        |
|                 |              |                        |
|                 |              |                        |
|                 |              |                        |
|                 |              |                        |
|                 |              |                        |
|                 |              |                        |
|                 |              |                        |
|                 |              |                        |
|                 |              |                        |
|                 |              |                        |
|                 |              |                        |
|                 |              |                        |
|                 |              |                        |
|                 |              |                        |
|                 |              |                        |
|                 |              |                        |
|                 |              |                        |
|                 |              |                        |
|                 |              |                        |
|                 |              |                        |
|                 |              |                        |
|                 |              |                        |
|                 |              |                        |
|                 |              |                        |
|                 |              |                        |
|                 |              |                        |
|                 |              |                        |
|                 |              |                        |
|                 |              |                        |
|                 |              |                        |
|                 |              |                        |
|                 |              |                        |
|                 |              |                        |
|                 |              |                        |
|                 |              |                        |
|                 |              |                        |

## B. Accessories List

**QUADRA-FIRE**® Service Parts

**TREKKER**

 Beginning Manufacturing Date: Jun 2018  
 Ending Manufacturing Date: Active

IMPORTANT: THIS IS DATED INFORMATION. Parts must be ordered from a dealer or distributor. **Hearth and Home Technologies does not sell directly to consumers.** Provide model number and serial number when requesting service parts from your dealer or distributor.


**Stocked  
at Depot**

| ITEM               | DESCRIPTION                                  | COMMENTS  | PART NUMBER    |   |
|--------------------|--|-----------|----------------|---|
|                    | Screw Phillips Button Head 1/4-20x3/8        | Pkg of 24 | 7000-401/24    | Y |
|                    | Screw Flat Head Philips 8-32 X 1/2           | Pkg of 12 | 220-0490/12    | Y |
|                    | Magnet Round                                 |           | SRV7000-140    | Y |
|                    | Screw, 1/4-20 x 5/8 Hbh BK                   | Pkg of 10 | 7000-426/10    |   |
|                    | Screw 8 - 32x3/8 HWH BK                      | Pkg of 40 | SRV060-883/40  |   |
|                    | Hurricane Screw                              | Pkg of 40 | SRV2005-861/40 |   |
|                    | Bolt, Shoulder, 5/16x1/4-20                  | Pkg of 20 | 223-0170/20    | Y |
| <b>ACCESSORIES</b> |  |           |                |   |
|                    | Collar, Offset, Top Vent                     |           | 812-3570       |   |
|                    | Damper, 3 Inch - Tall Vertical Installs Only |           | PEL-DAMP3      | Y |
|                    | Damper, 4 Inch - Tall Vertical Installs Only |           | PEL-DAMP4      |   |
|                    | Log Set, (Sold as Set only)                  | 2 Pc      | LOGS-60-AE-B   |   |
|                    | Outside Air Kit                              |           | OAK-3          |   |
|                    | Top Vent Adapter                             |           | TPVNT-3        |   |
|                    |  |           |                |   |
|                    |  |           |                |   |
|                    |  |           |                |   |

# QUADRA-FIRE®

NOTHING BURNS LIKE A QUAD

## CONTACT INFORMATION

Hearth & Home Technologies  
352 Mountain House Road  
Halifax, PA 17032  
Division of HNI INDUSTRIES

Please contact your Quadra-Fire dealer with any questions or concerns.  
For the number of your nearest Quadra-Fire dealer  
log onto [www.quadrafire.com](http://www.quadrafire.com)



## CAUTION



### DO NOT DISCARD THIS MANUAL

- Important operating and maintenance instructions included.
- Read, understand and follow these instructions for safe installation and operation.
- Leave this manual with party responsible for use and operation of this appliance.



### We recommend that you record the following pertinent information for your heating appliance.

Date purchased/installed: \_\_\_\_\_

Serial Number: \_\_\_\_\_

Location on appliance: \_\_\_\_\_

Dealership purchased from: \_\_\_\_\_

Dealer Phone: 1(     ) - \_\_\_\_\_

Notes:  
\_\_\_\_\_  
\_\_\_\_\_  
\_\_\_\_\_

This product may be covered by one or more of the following patents: (United States) 5341794, 5263471, 6688302, 7216645, 7047962 or other U.S. and foreign patents pending.

  
**HEARTH & HOME**  
technologies™