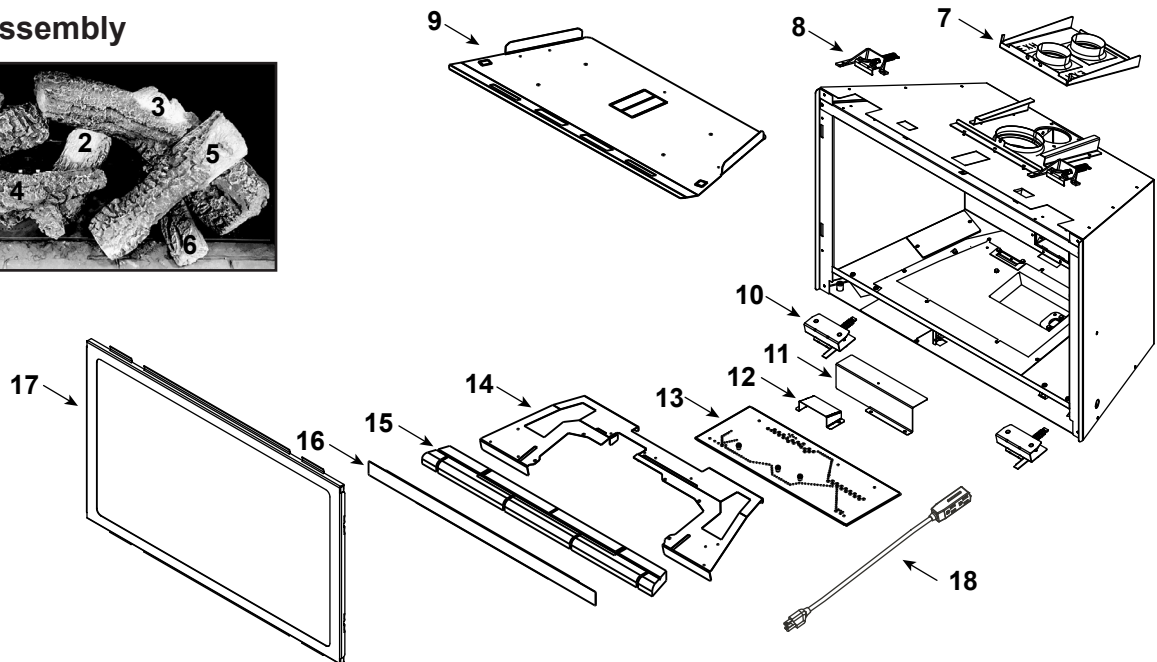
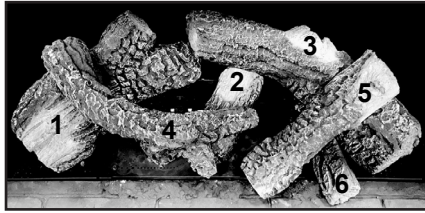


Log Set Assembly



IMPORTANT: THIS IS DATED INFORMATION. Parts must be ordered from a dealer or distributor. **Hearth and Home Technologies does not sell directly to consumers.** Provide model number and serial number when requesting service parts from your dealer or distributor.



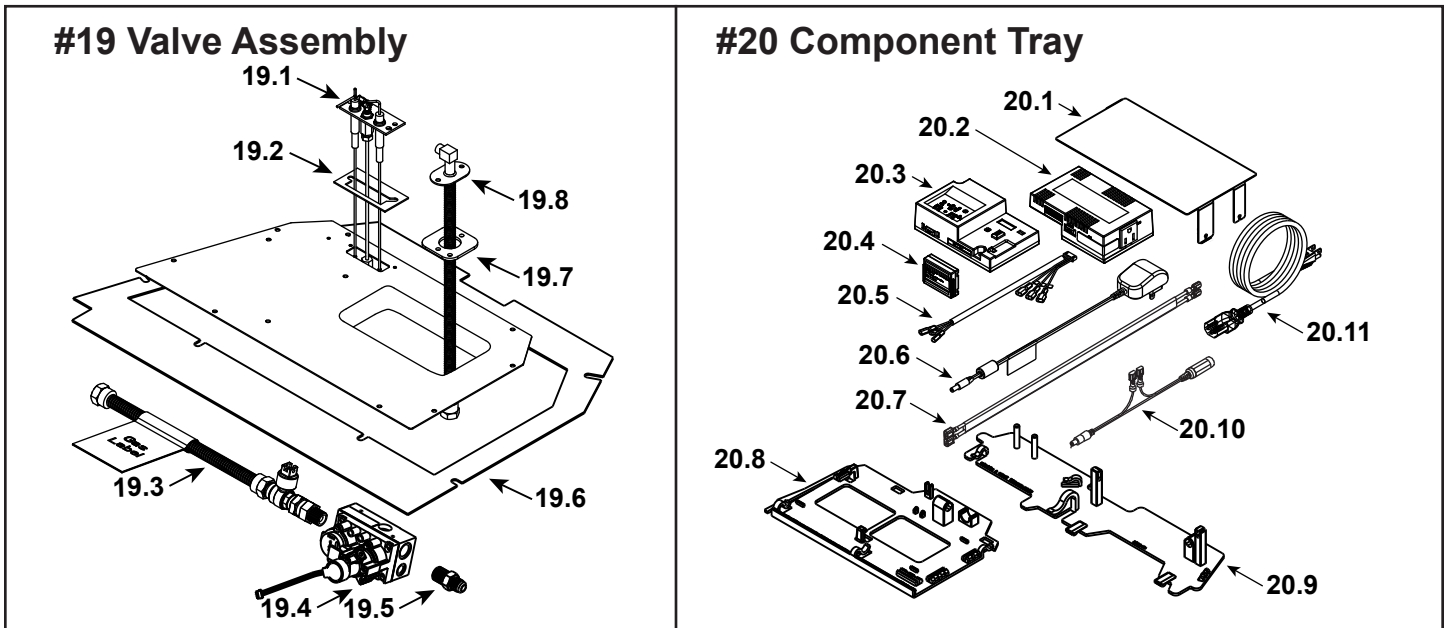
Stocked at Depot

ITEM	DESCRIPTION	COMMENTS	PART NUMBER	
	Log Assembly (Hearth Refractory not Included)		LOGS-2533	Y
1	Log 1		SRV2533-711	
2	Log 2		SRV2533-712	
3	Log 3		SRV2533-713	
4	Log 4		SRV2533-714	
5	Log 5		SRV2532-715	
6	Log 6		SRV2538-715	
7	Slide Plate Assembly		2532-014	
	Tool, Slide Plate (Multi-purpose)		2532-140	
	Gasket		2532-113	
8	Glass Clip Assembly, Top	Qty 2 req	2155-046	
9	Baffle, Firebox		2533-138	
10	Glass Clip Assembly, Bottom	Qty 2 req	2532-009	
11	Air Scoop		2532-135	
12	Pilot Shield		2532-153	
13	Burner Assembly		2533-007	Y
14	Base Pan		2533-130	
15	Hearth Refractory (Not for use with BRICK-MI35-TR/BRICK-MI35-HB)		SRV2533-704	
16	Seal, Glass Frame		2533-122	
17	Glass Door Assembly		GLA-2533	Y
18	Power Cord		2201-024	Y
	Fan		GFK-160A	Y

No one builds a better fire

Beginning Manufacturing Date: March 2019

Ending Manufacturing Date: Active



IMPORTANT: THIS IS DATED INFORMATION. Parts must be ordered from a dealer or distributor. **Hearth and Home Technologies does not sell directly to consumers.** Provide model number and serial number when requesting service parts from your dealer or distributor.



Stocked at Depot

ITEM	DESCRIPTION	COMMENTS	PART NUMBER	
19.1	Pilot Assembly NG		2550-013	Y
	Pilot Assembly Propane		2550-014	Y
19.2	Pilot Gasket		2532-134	
19.3	Flex Ball Valve Assembly		2532-081	Y
19.4	Valve NG		2166-302	Y
	Valve Propane		2166-303	Y
19.5	Male Connector	Pkg of 5	303-315/5	Y
19.6	Gasket, Valve Plate		2532-131	
19.7	Gasket, Bulkhead		438-407	
19.8	Bulkhead w/Flex Tube		SRV7000-156	Y
	Orifice NG (#33C)		582-833	Y
	Orifice Propane (#50C)		582-850	Y
20.1	Component Heat Shield		2532-144	Y
20.2	Module, B Type AC		2326-150	Y
20.3	Module, IFT Control		SRV2326-130	Y
20.4	Module, RF FCC		2326-120	Y
20.5	Harness, IFT 6 Pin Wiring		SRV2326-132	Y
20.6	Transformer, 6 Volt Wall		SRV2326-131	Y
20.7	Jumper Wire, 36" Male/Female		2159-310	Y
20.8	Tray, Component		2532-170	Y
20.9	Wire Tray		2532-171	Y
20.10	Wall Switch Jumper Wire		SRV2179-300	Y
20.11	Cable, B Type AC Module		SRV2326-152	Y

Additional service part numbers appear on following page.

