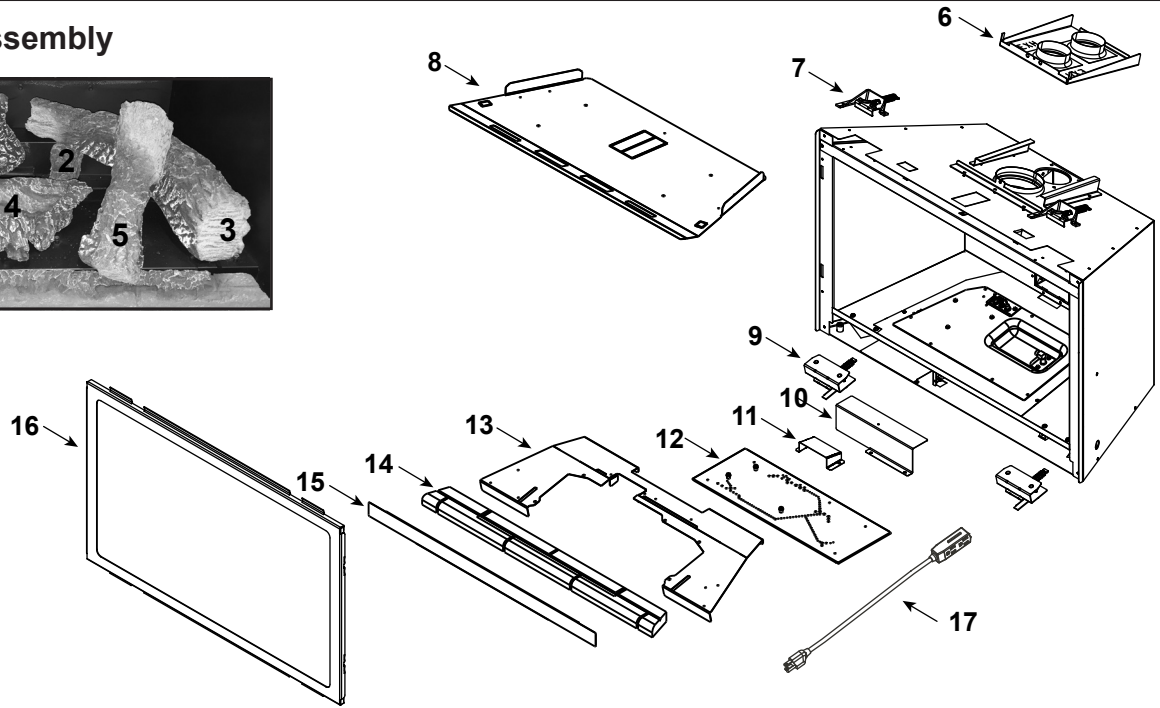
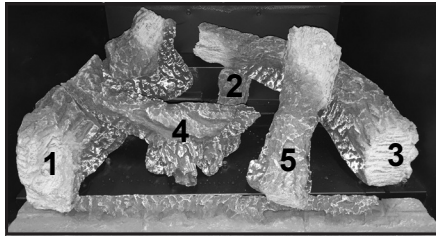


Log Set Assembly



IMPORTANT: THIS IS DATED INFORMATION. Parts must be ordered from a dealer or distributor. **Hearth and Home Technologies does not sell directly to consumers.** Provide model number and serial number when requesting service parts from your dealer or distributor.



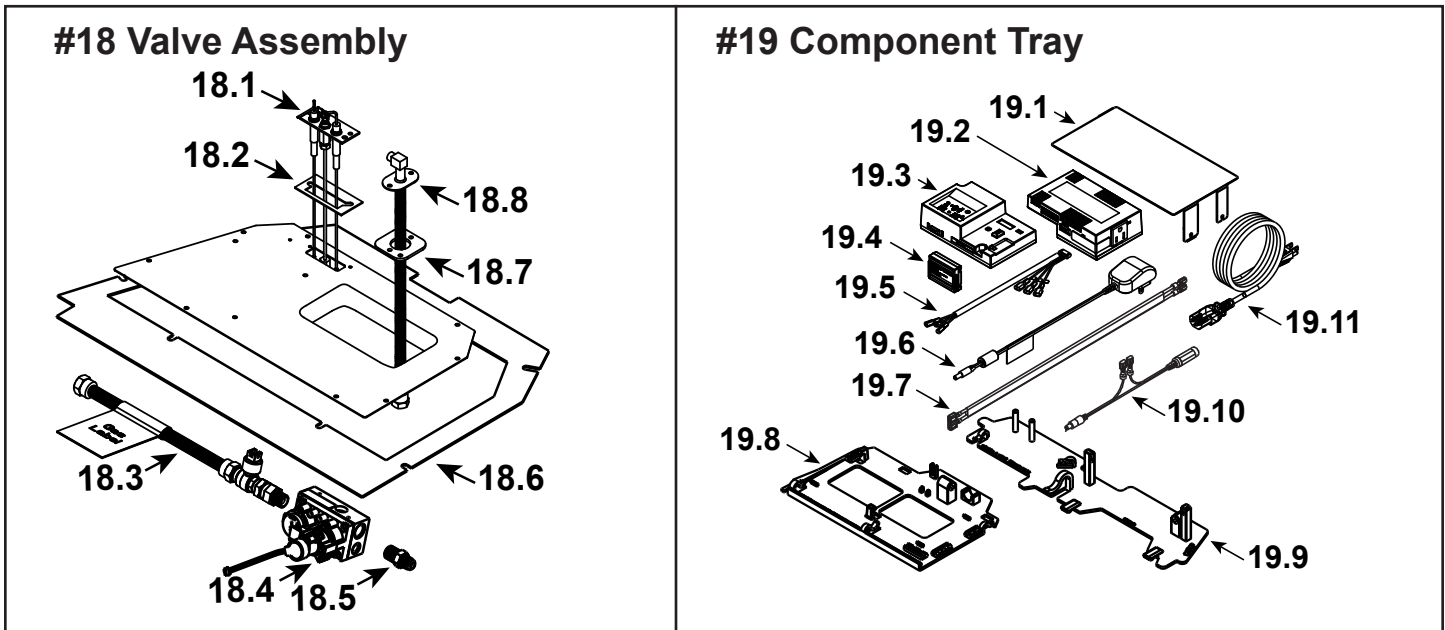
Stocked at Depot

ITEM	DESCRIPTION	COMMENTS	PART NUMBER	
	Log Assembly (Hearth Refractory not Included)		LOGS-2531	Y
1	Log 1		SRV2531-711	
2	Log 2		SRV2531-712	
3	Log 3		SRV2531-713	
4	Log 4		SRV2531-714	
5	Log 5		SRV2531-715	
6	Slide Plate Assembly		2532-014	
	Tool, Slide Plate (Multi-purpose)		2532-140	
	Gasket		2532-113	
7	Glass Clip Assembly, Top	Qty 2 req	2155-046	
8	Baffle, Firebox		2531-138	
9	Glass Clip Assembly, Bottom	Qty 2 req	2532-009	
10	Air Scoop		2532-135	
11	Pilot Shield		2532-153	
12	Burner Assembly		2531-007	Y
13	Base Pan		2531-130	
14	Hearth Refractory (Not for use with BRICK-MI25-TR/BRICK-MI25-HB)		SRV2531-704	
15	Seal, Glass Frame		2531-122	
16	Glass Door Assembly		GLA-2531	Y
17	Power Cord		2201-024	Y
	Fan		GFK-160A	Y

No one builds a better fire

Beginning Manufacturing Date: March 2019

Ending Manufacturing Date: Active



IMPORTANT: THIS IS DATED INFORMATION. Parts must be ordered from a dealer or distributor. **Hearth and Home Technologies does not sell directly to consumers.** Provide model number and serial number when requesting service parts from your dealer or distributor.



Stocked at Depot

ITEM	DESCRIPTION	COMMENTS	PART NUMBER	
18.1	Pilot Assembly NG		2550-013	Y
	Pilot Assembly Propane		2550-014	Y
18.2	Pilot Gasket		2532-134	
18.3	Flex Ball Valve Assembly		2532-081	Y
18.4	Valve NG		2166-302	Y
	Valve Propane		2166-303	Y
18.5	Male Connector	Pkg of 5	303-315/5	Y
18.6	Gasket, Valve Plate		2531-131	
18.7	Gasket, Bulkhead		438-407	
18.8	Bulkhead w/Flex Tube		SRV7000-156	Y
	Orifice NG (#40C)		582-840	Y
	Orifice Propane (#53C)		582-853	Y
19.1	Component Heat Shield		2532-144	Y
19.2	Module, B Type AC		2326-150	Y
19.3	Module, IFT Control		SRV2326-130	Y
19.4	Module, RF FCC		2326-120	Y
19.5	Harness, IFT 6 Pin Wiring		SRV2326-132	Y
19.6	Transformer, 6 Volt Wall		SRV2326-131	Y
19.7	Jumper Wire, 36" Male/Female		2159-310	Y
19.8	Tray, Component		2532-170	Y
19.9	Wire Tray		2532-171	Y
19.10	Wall Switch Jumper Wire		SRV2179-300	Y
19.11	Cable, B Type AC Module		SRV2326-152	Y

Additional service part numbers appear on following page.

