

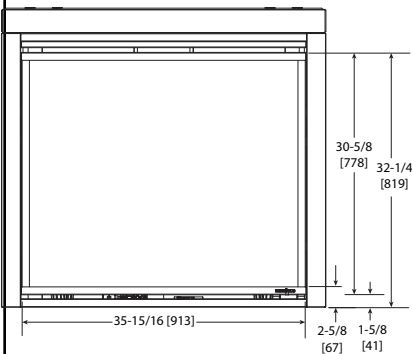
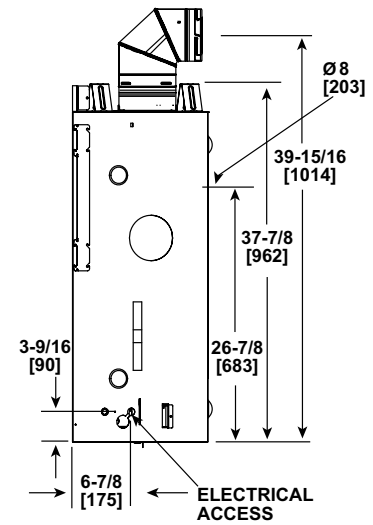
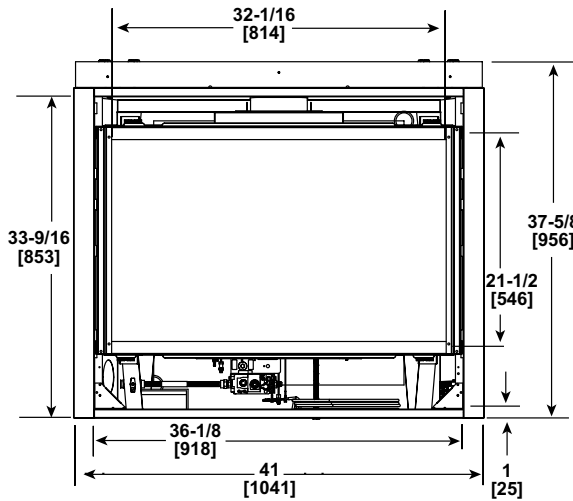
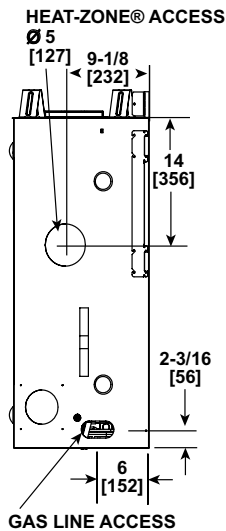
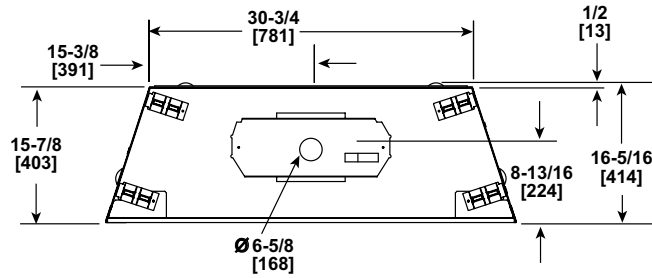


Please consult the manufacturer's installation manual for all details and requirements before making a final design layout decision.

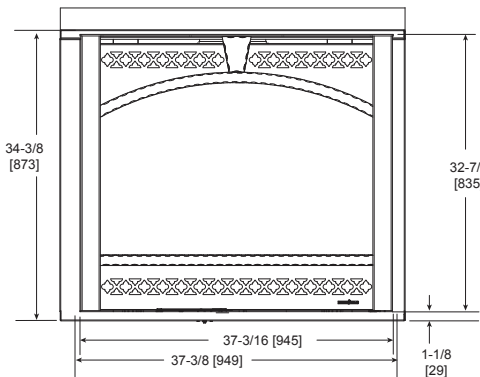
SL-7/7X

Direct Vent Gas Fireplace

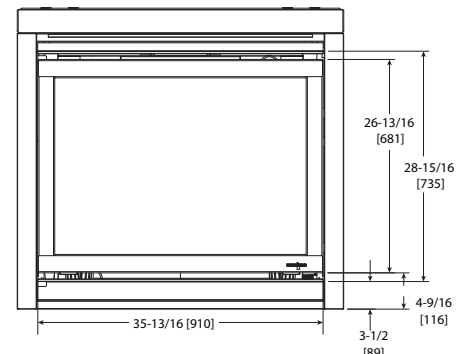
MODEL	FRONT WIDTH		BACK WIDTH		HEIGHT		DEPTH		GLASS SIZE
	Actual	Framing	Actual	Framing	Actual	Framing	Actual	Framing	
SL-7/7X	41	42	30-3/4	42	37-7/8	38-1/4	16-5/16	16-1/4	32-1/16 x 21-1/2



Firescreen Front



Arcadia, Chateau, Halston, and Chateau Forge Fronts



Clean Face Front

MINIMUM FIREPLACE CLEARANCES

AREA	TO COMBUSTIBLES (in inches)
CLEARANCE TO CEILING	32
COMBUSTIBLE/NON-COMBUSTIBLE FLOOR	0
BEHIND APPLIANCE	1/2
SIDES OF APPLIANCE	1/2
FRONT OF APPLIANCE	36

APPLIANCE LOCATION

Model		A	B	C	E	F	G
SL-7/7X	in	45-1/2	42	64-3/8	1	1/2	45-1/2
	mm	1155	1067	1635	25	13	1155
		H	I	J	K	L	M
SL-7/7X	in	64-3/8	16-1/4	48-1/2	68-3/4	16-5/8	7-1/2
	mm	1635	413	1232	1737	422	191

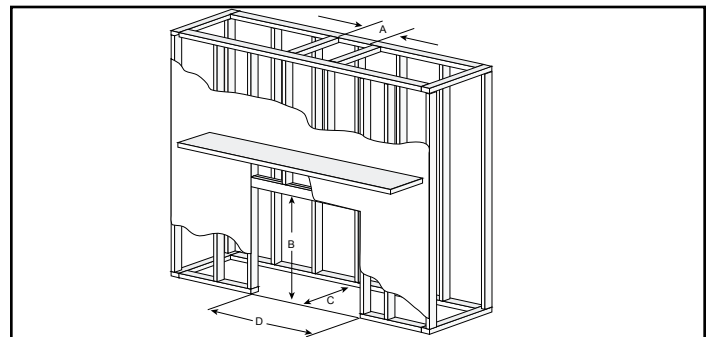
WALL PENETRATION

MANTEL LEG/WALL PROJECTIONS

Mantel Leg Projection
(acceptable on both sides of opening)

Wall Projection
(acceptable on one side of opening)

FRAMING DIMENSIONS



	A Rough Opening (Width)		B Rough Opening (Height)	C Rough Opening (Depth)		D Rough Opening (Width)
	DVP pipe	SLP pipe		DVP pipe	SLP pipe	
in	10	8-5/8	38-1/4	16-1/4	16-1/4	42
mm	254	219	971	413	413	1067

CLEARANCES TO COMBUSTIBLES

MANTEL PROJECTIONS

PRODUCT LISTING CODES	
US	ANSI Z21.88a-2007
CAN	CSA 2.33a-M2007
US LISTED	UL307B

Product information provided is not complete and is subject to change without notice. Product installation must adhere strictly to instructions accompanying product to avoid risk of fire and potential injury.

Additional information can be found online at www.heatnglo.com