

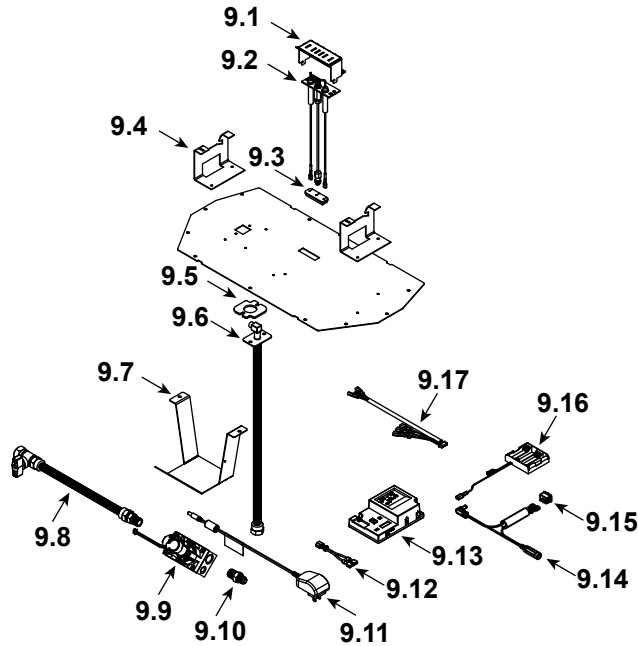
IMPORTANT: THIS IS DATED INFORMATION. Parts must be ordered from a dealer or distributor. **Hearth and Home Technologies does not sell directly to consumers.** Provide model number and serial number when requesting service parts from your dealer or distributor.



Stocked at Depot

| ITEM | DESCRIPTION | COMMENTS | PART NUMBER | |
|------|---------------------------|----------|----------------------------|---|
| 1 | Header Heat Shield | | 2118-120 | |
| 2 | Non-Combustible Support | | 2491-104 | |
| 3 | Top Fill | | 2491-135 | |
| 4 | Non-Combustible Assembly | | 2491-079 | |
| 5 | Base Pan | | 2491-113 | |
| 6 | Burner Assembly | | 2491-007 | Y |
| 7 | Glass Door Assembly | | GLA-42HTL | Y |
| 8 | Lower Panel | | 2491-103 | |
| 9 | Valve Assembly | | Refer to Valve Page | |
| 10 | Junction box | | SRV4021-013 | Y |
| 11 | Heat Shield, Junction Box | | 2491-129 | |
| 12 | Heat Shield, Components | | 2493-129 | |

#9 Valve Assembly



IMPORTANT: THIS IS DATED INFORMATION. Parts must be ordered from a dealer or distributor. **Hearth and Home Technologies does not sell directly to consumers.** Provide model number and serial number when requesting service parts from your dealer or distributor.



Stocked at Depot

| ITEM | DESCRIPTION | COMMENTS | PART NUMBER | |
|------|--------------------------------|----------|-------------|---|
| 9.1 | Pilot Shield | | 2491-123 | |
| 9.2 | Pilot Assembly NG | | 2106-169 | Y |
| | Pilot Assembly Propane | | 2106-170 | Y |
| 9.3 | Grommet | | SRV2118-420 | |
| 9.4 | Burner Support, Left and Right | 1 Set | 2491-169 | |
| 9.5 | Gasket | | 2025-407 | |
| 9.6 | Bulkhead W/Flex Tube | | 4021-428 | Y |
| 9.7 | Valve Bracket | | 2491-153 | |
| 9.8 | Flex Ball Valve Assembly, 12" | | SRV302-320 | Y |
| 9.9 | Valve NG | | SRV2166-302 | Y |
| | Valve Propane | | 2166-303 | Y |
| 9.10 | Male Connector | Pkg of 5 | 303-315/5 | Y |
| 9.11 | Transformer, 6 Volt Wall | | SRV2326-131 | Y |
| 9.12 | Jumper Wire | | SRV2187-198 | Y |
| 9.13 | Module, Control IFT | | SRV2326-130 | Y |
| 9.14 | Reset Switch Wire | | 2550-135 | Y |
| 9.15 | Reset Switch | | 2206-298 | Y |
| 9.16 | Battery Holder 4AA, IFT | | SRV2326-134 | Y |
| 9.17 | Harness, IFT 6 Pin Wiring | | SRV2326-132 | Y |
| | Orifice NG (#42C) | | 582-842 | Y |
| | Orifice Propane (.057C) | | 582-057 | Y |

Additional service part numbers appear on following page.

IMPORTANT: THIS IS DATED INFORMATION. Parts must be ordered from a dealer or distributor. **Hearth and Home Technologies does not sell directly to consumers.** Provide model number and serial number when requesting service parts from your dealer or distributor.



**Stocked
at Depot**

| ITEM | DESCRIPTION | COMMENTS | PART NUMBER | Stocked at Depot |
|------|--|----------|---------------|------------------|
| | Exhaust Restrictor | | 530-299 | |
| | Gasket Assembly Contains burner neck, shutter bracket, vent, seal cap, valve plate, and air passage gaskets | | 2113-080 | |
| | Touch Up Paint | | TUP-GBK-12 | |
| | Thermostat Wire | | SRV2118-170 | Y |
| | | | | |
| | | | | |
| | | | | |
| | | | | |
| | | | | |
| | | | | |
| | | | | |
| | | | | |
| | | | | |
| | | | | |
| | | | | |
| | | | | |
| | | | | |
| | | | | |
| | | | | |
| | | | | |
| | | | | |
| | | | | |
| | | | | |
| | | | | |
| | | | | |
| | | | | |
| | | | | |
| | | | | |
| | | | | |
| | | | | |
| | | | | |
| | | | | |
| | | | | |
| | | | | |
| | | | | |
| | | | | |
| | | | | |
| | | | | |
| | Conversion Kit NG | | NGK-42LINEAR | Y |
| | Conversion Kit Propane | | LPK-42LINEAR | Y |
| | Pilot Orifice NG | | SRV593-528 | Y |
| | Pilot Orifice Propane | | SRV593-527 | Y |
| | Regulator NG | | NGK-DXV-50 | Y |
| | Regulator Propane | | SRVLPK-DXV-50 | Y |