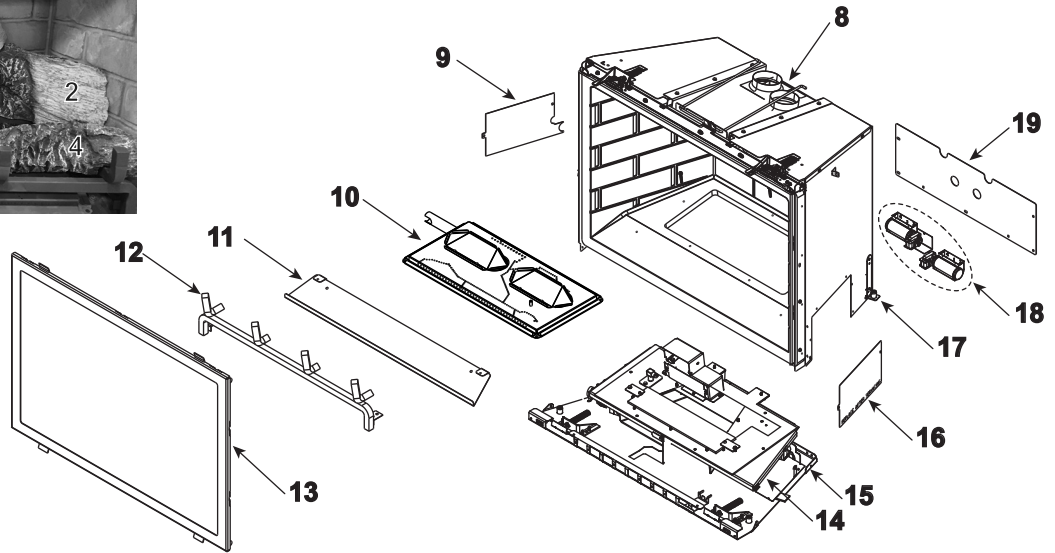


Log Set Assembly

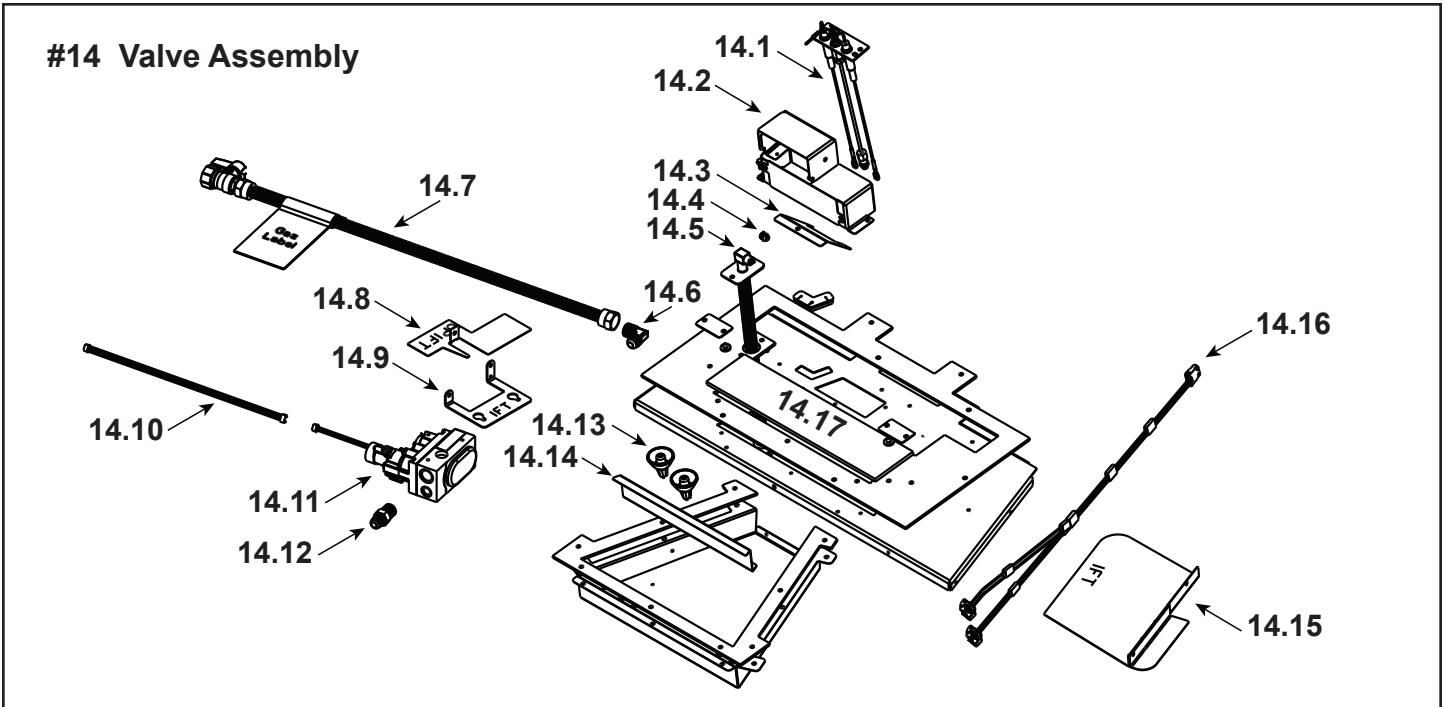


IMPORTANT: THIS IS DATED INFORMATION. Parts must be ordered from a dealer or distributor. **Hearth and Home Technologies does not sell directly to consumers.** Provide model number and serial number when requesting service parts from your dealer or distributor.



Stocked at Depot

| ITEM | DESCRIPTION | COMMENTS | PART NUMBER | |
|------|----------------------------|-----------|---------------------|---|
| | Log Assembly | | LOGS-QFI30FB | Y |
| 1 | Log 1 | | SRV2221-703 | |
| 2 | Log 2 | | SRV2221-701 | |
| 3 | Log 3 | | SRV2221-702 | |
| 4 | Log 4 | | SRV2221-706 | |
| 5 | Log 5 | | SRV2221-704 | |
| 6 | Log 6 | | SRV2221-705 | |
| 7 | Log 7 | | SRV2221-707 | |
| 8 | Termination Plate Assembly | | 2201-012 | |
| | Gasket, Termination Plate | | 2201-401 | |
| | Slide Plate Handle | | 2019-201 | |
| 9 | Left Side Cover, Plate | | 2550-129 | |
| 10 | Burner Assembly | | 2221-009 | Y |
| | Media Tray, Mesh | | 2201-138 | |
| 11 | Media Tray | | 2201-112 | |
| 12 | Grate Assembly | | 2221-017 | |
| 13 | Glass Door Assembly | | GLA-30FB | Y |
| 14 | Valve Assembly | | Refer to valve page | |
| 15 | Bottom Assembly | | Refer to valve page | |
| 16 | Right Side Cover, Plate | | 2550-130 | |
| 17 | RIV-NUT Bracket Assembly | Qty 2 req | 2201-027 | |
| 18 | Fan Kit | | GFK-210-C | Y |
| 19 | Cover Plate, Back | | 2550-104 | |



IMPORTANT: THIS IS DATED INFORMATION. Parts must be ordered from a dealer or distributor. **Hearth and Home Technologies does not sell directly to consumers.** Provide model number and serial number when requesting service parts from your dealer or distributor.

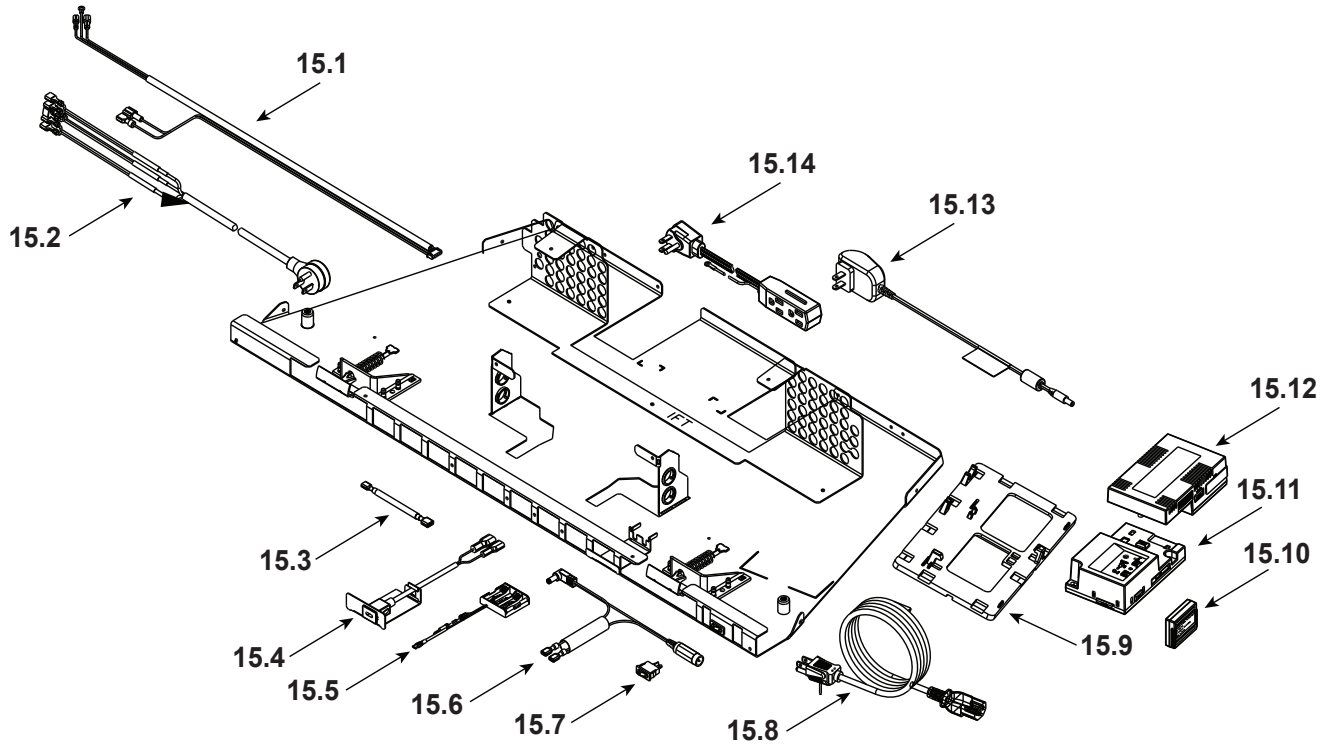


**Stocked
at Depot**

| ITEM | DESCRIPTION | COMMENTS | PART NUMBER | |
|-------|-------------------------------|-----------|-------------|---|
| 14.1 | Pilot Assembly NG | | 2550-013 | Y |
| | Pilot Assembly, Propane | | 2550-014 | Y |
| | 3-Hole Grommet | | 2201-420 | |
| 14.2 | Pilot Bracket Assembly | | 2201-025 | |
| 14.3 | Air Scoop | | 2201-156 | |
| 14.4 | Burner Orifice NG (#33C) | | 582-833 | Y |
| | Burner Orifice Propane (#50C) | | 582-850 | Y |
| 14.5 | Flex Assembly | | 4021-428 | |
| 14.6 | Elbow, 3/8 Flare | | SRV4021-045 | |
| 14.7 | Flex Ball Valve Assembly | | 2201-108 | Y |
| 14.8 | Shield, Stepper Motor | | 2550-168 | |
| 14.9 | Valve Bracket | | 2550-108 | |
| 14.10 | Extension Wire, Stepper Motor | | 2550-753 | Y |
| 14.11 | Valve NG | | 2166-302 | Y |
| | Valve Propane | | 2166-303 | Y |
| 14.12 | Male Connector | Pkg of 5 | 303-315/5 | |
| 14.13 | Ember Bulb, 50 Watt | Qty 2 req | 2201-150 | Y |
| 14.14 | Air Passage Divider | | 2201-144 | |
| 14.15 | Shield, Component Heat | | 2550-167 | |
| 14.16 | Light Wire Assembly | | 2532-017 | Y |
| 14.17 | Ember Glass | | 2201-115 | Y |

Additional service part numbers on following page.

#15 Bottom Assembly



IMPORTANT: THIS IS DATED INFORMATION. Parts must be ordered from a dealer or distributor. **Hearth and Home Technologies does not sell directly to consumers.** Provide model number and serial number when requesting service parts from your dealer or distributor.



Stocked at Depot

| ITEM | DESCRIPTION | COMMENTS | PART NUMBER | |
|-------|-----------------------------------|----------------|-------------|---|
| 15.1 | IFT Wire Harness | | 2550-301 | Y |
| 15.2 | Wire Assembly | | 2550-068 | Y |
| 15.3 | Fuse Wire Assembly | Pre LC4954115 | 2206-085 | Y |
| 15.4 | UAB-C and Mounting Plate Assembly | | 2550-126 | Y |
| 15.5 | Battery Pack** | Pre | SRV2326-134 | Y |
| | | Post | 2326-142 | Y |
| 15.6 | Reset Switch Wire | | 2550-135 | Y |
| 15.7 | Reset Switch | Pre LC5116679 | SRV2206-299 | Y |
| | | Post LC5116679 | 2206-298 | Y |
| 15.8 | Cable, B Type AC Module | | SRV2326-152 | Y |
| 15.9 | Component Tray | | 2279-185 | |
| 15.10 | Module, RF FCC | | 2326-120 | Y |
| 15.11 | Module, IFT Control | | SRV2326-130 | Y |
| 15.12 | Module, B Type AC | | 2326-150 | Y |
| 15.13 | Transformer, 6 Volt Wall | | SRV2326-131 | Y |
| 15.14 | Power Cord | | 2201-024 | Y |

**Fuse for battery pack can be sourced locally, not a warranty item. Specs are 250v, 3A fuse, 3/4" long

Additional service part numbers on following page.

