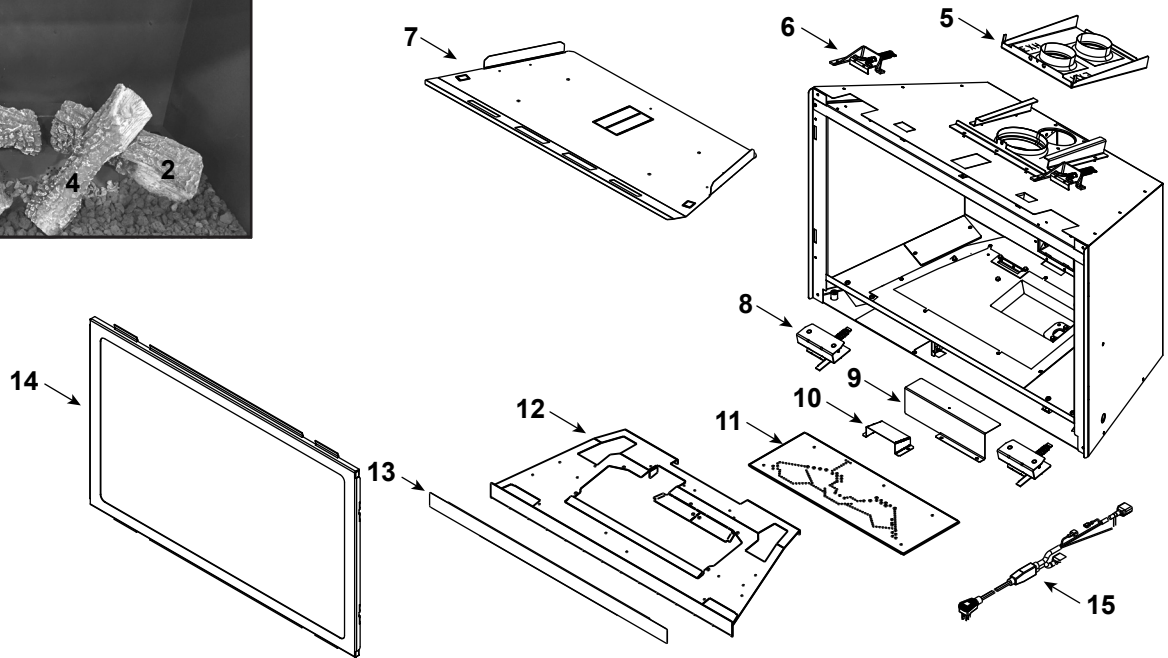
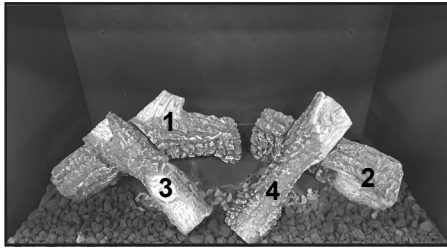


### Log Set Assembly



IMPORTANT: THIS IS DATED INFORMATION. Parts must be ordered from a dealer or distributor. **Hearth and Home Technologies does not sell directly to consumers.** Provide model number and serial number when requesting service parts from your dealer or distributor.



Stocked at Depot

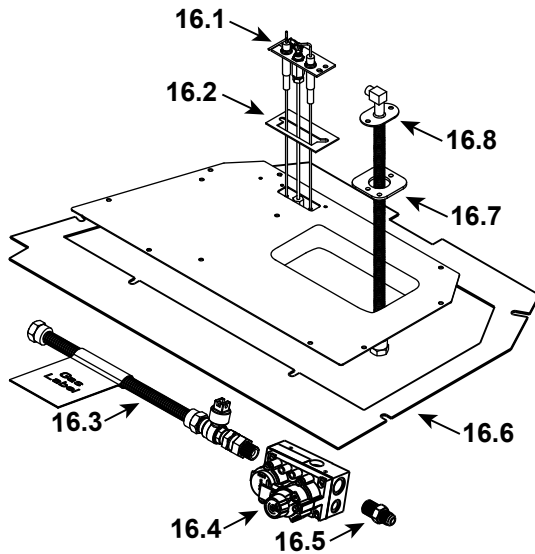
ITEM	DESCRIPTION	COMMENTS	PART NUMBER	
	Log Assembly		LOGS-2545	Y
1	Log 1		SRV2545-711	
2	Log 2		SRV2545-712	
3	Log 3		SRV2534-713	
4	Log 4		SRV2532-715	
5	Slide Plate Assembly		2532-014	
	Tool, Slide Plate (Multi-purpose)		2532-140	
	Gasket		2532-113	
6	Glass Clip Assembly, Top	Qty 2 req	2155-046	
7	Baffle, Firebox		2533-138	
8	Glass Clip Assembly, Bottom	Qty 2 req	2532-009	
9	Air Scoop		2532-135	
10	Pilot Shield		2532-153	
11	Burner Assembly		2534-007	Y
12	Base Pan		2545-130	
13	Seal, Glass Frame		2533-122	
14	Glass Door Assembly		GLA-2533	Y
15	Power Cord		2201-017	Y

No one builds a better fire

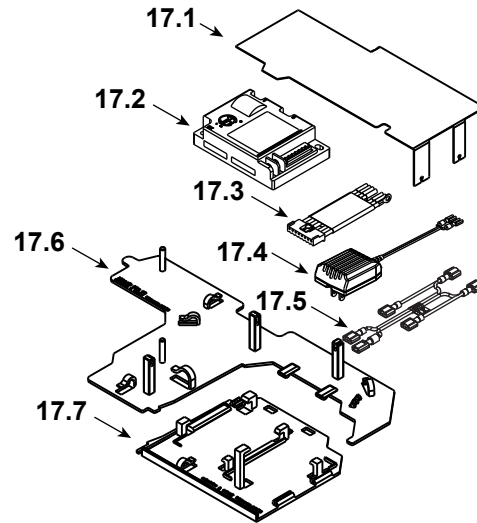
Beginning Manufacturing Date: March 2019

Ending Manufacturing Date: Active

## #16 Valve Assembly



## #17 Component Tray



IMPORTANT: THIS IS DATED INFORMATION. Parts must be ordered from a dealer or distributor. **Hearth and Home Technologies does not sell directly to consumers.** Provide model number and serial number when requesting service parts from your dealer or distributor.



**Stocked  
at Depot**

ITEM	DESCRIPTION	COMMENTS	PART NUMBER	Stocked at Depot
16.1	Pilot Assembly NG		2550-013	Y
	Pilot Assembly Propane		2550-014	Y
16.2	Pilot Gasket		2532-134	
16.3	Flex Ball Valve Assembly		2532-081	Y
16.4	Valve NG		750-500	Y
	Valve Propane		2155-501	Y
16.5	Male Connector	Pkg of 5	303-315/5	Y
16.6	Gasket, Valve Plate		2532-131	
16.7	Gasket, Bulkhead		438-407	
16.8	Bulkhead w/Flex Tube		SRV7000-156	Y
	Orifice NG (#35C)		SRV582-835	Y
	Orifice Propane (#51C)		SRV582-851	Y
17.1	Component Heat Shield		2541-144	Y
17.2	IPI Control Module		593-592	Y
17.3	Wire Assembly		SRV593-590	Y
17.4	3V Transformer		SRV593-593	Y
17.5	Remote Wire Assembly		2103-013	Y
17.6	Wire Tray		2534-171	Y
17.7	Tray, Component		2534-170	Y

Additional service part numbers appear on following page.

