

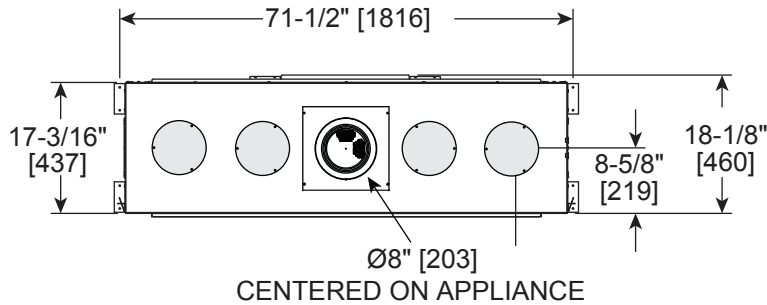


Please consult the manufacturer's installation manual for all details and requirements before making a final design layout decision.

# PRIMO60

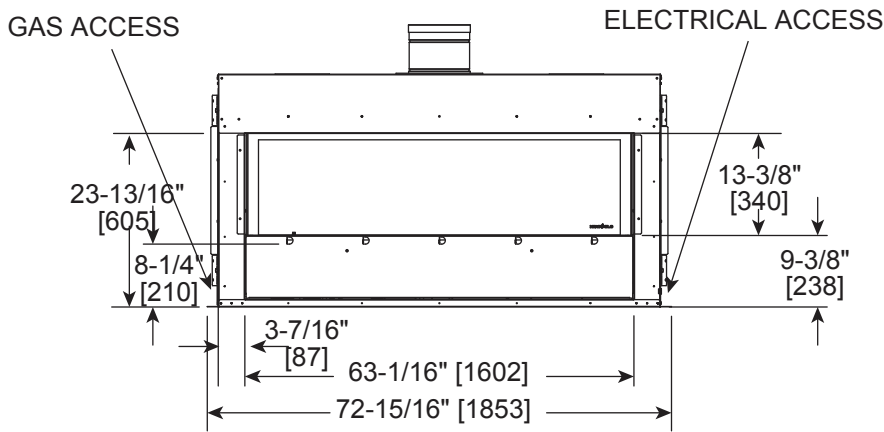
60" Direct Vent Gas Fireplace

MODEL	FRONT WIDTH		BACK WIDTH		HEIGHT		DEPTH		GLASS SIZE
	Actual	Framing	Actual	Framing	Actual	Framing	Actual	Framing*	
PRIMO60	71-1/2	72-1/4	71-1/2	72-1/4	30-9/16	48	17-3/16	18-1/4	59-1/2 x 12-1/2

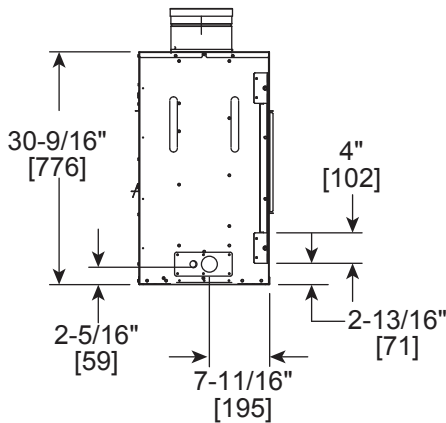


\* Framing depth will change if installing PVLP-SLP with a minimum vent configuration. See next page for details.

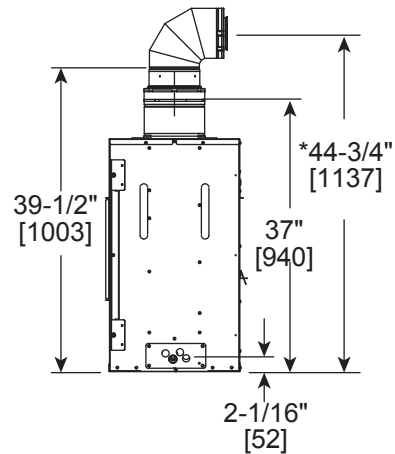
Top



Front



Left



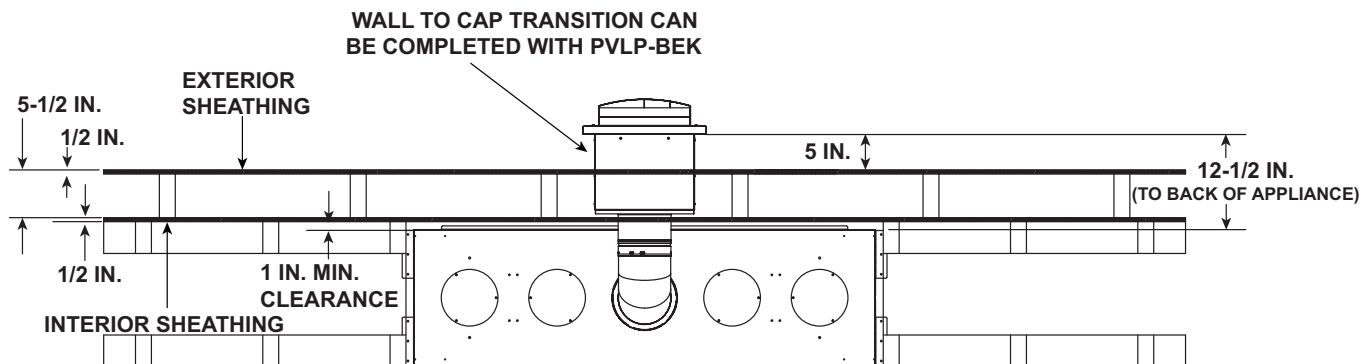
\*Minimum Vent Height (using SLP90)

Right

**PVLP-SLP MINIMUM HORIZONTAL FOOTPRINT**

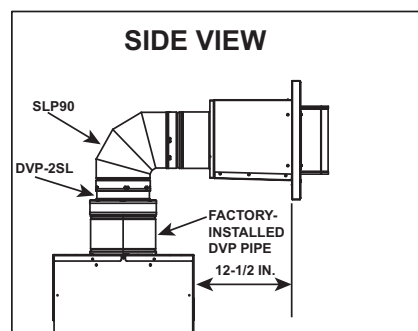
This diagram shows the scenario if the 12-1/2 inch measurement was not accommodated for prior to installation. The PVLP-BEK may be installed in the 5 inch gap or a small bump out may be created on the exterior wall to accommodate for the additional space needed.

**H\***=12-1/2 inches if using PVLP-SLP plus one SLP elbow. This is the minimum vent configuration and is composed of the factory-installed 6 inch DVP component, DVP-2SL converter, SLP90 elbow and PVLP-SLP termination cap.



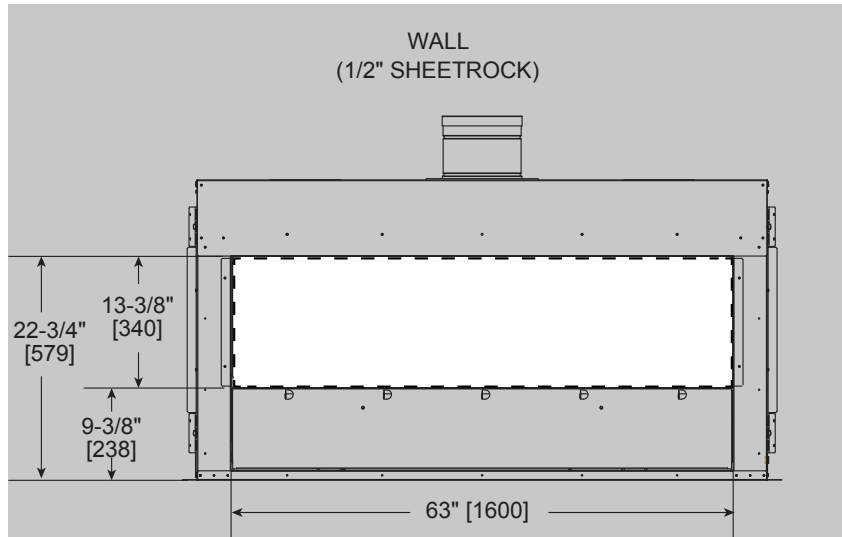
**The dimensions above assume:**

- 2 in. X 6 in. exterior wall studs
- 1/2 in. thick interior and exterior wall sheathing material



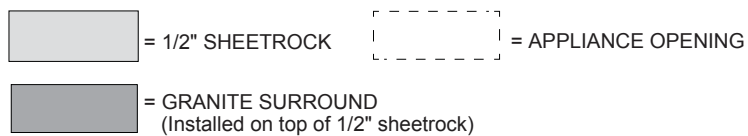
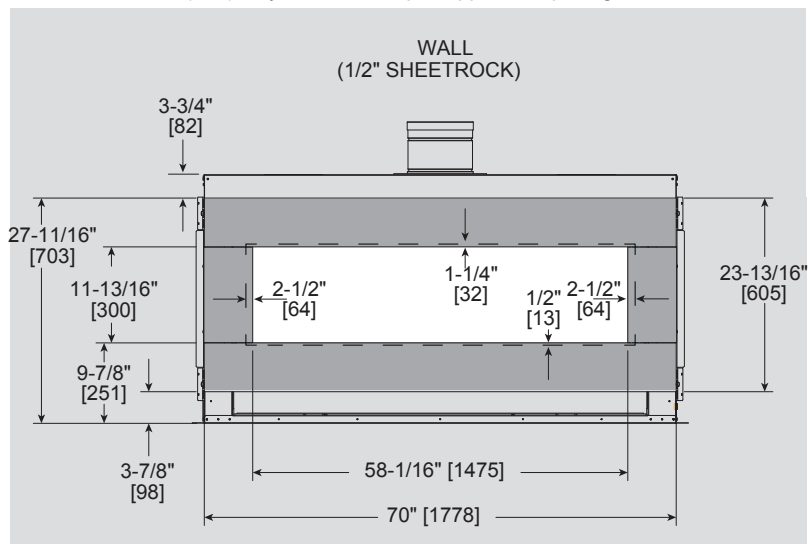
FINISHED OPENING DIMENSIONS

NOTE: Sheetrock (1/2") may be installed up to appliance opening.



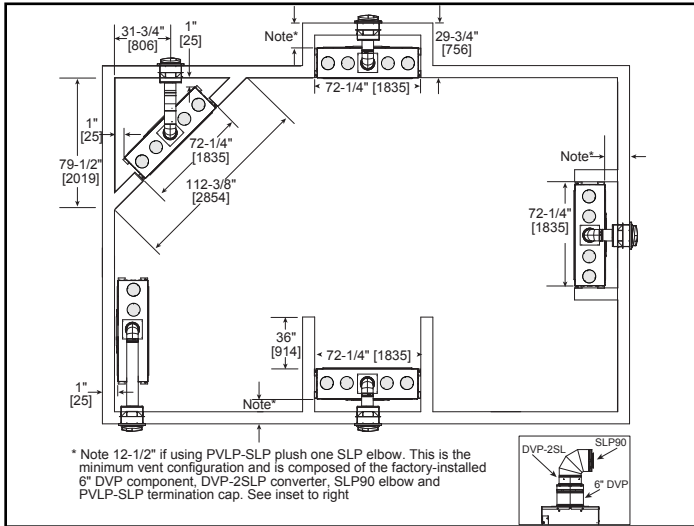
Clean Face Finish (Black Glass Interior)

NOTE: Sheetrock (1/2") may be installed up to appliance opening.

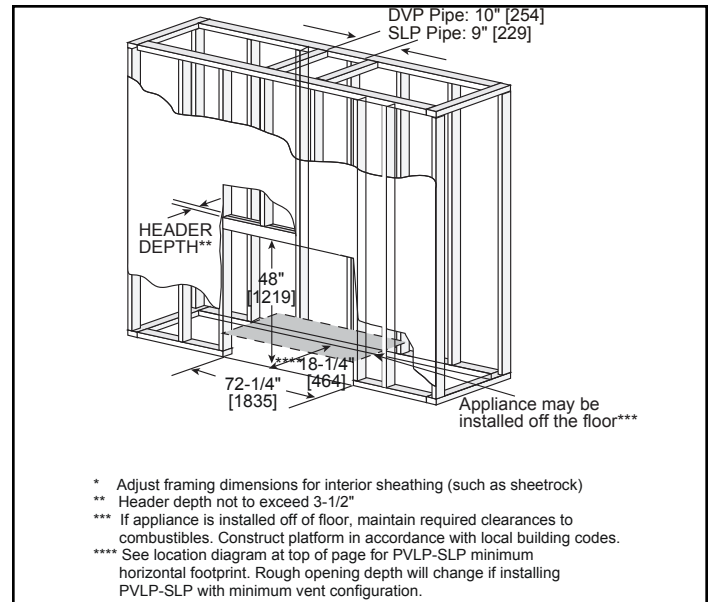


Black Granite Surround Finish (Black Glass Interior)

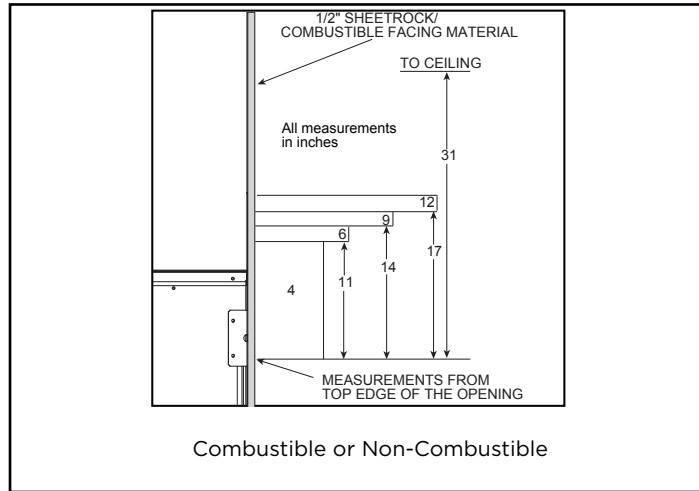
**APPLIANCE LOCATION**



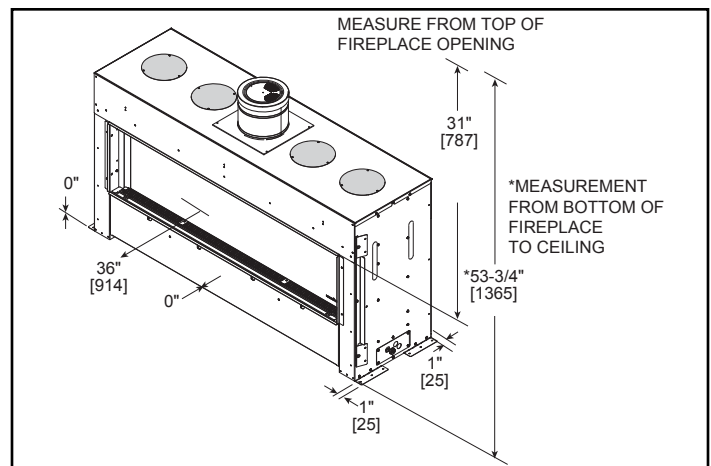
**FRAMING DIMENSION**



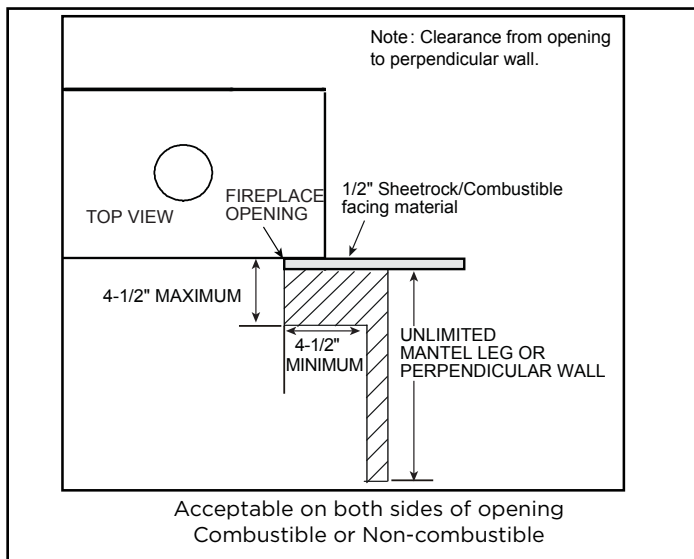
**MANTEL PROJECTIONS**



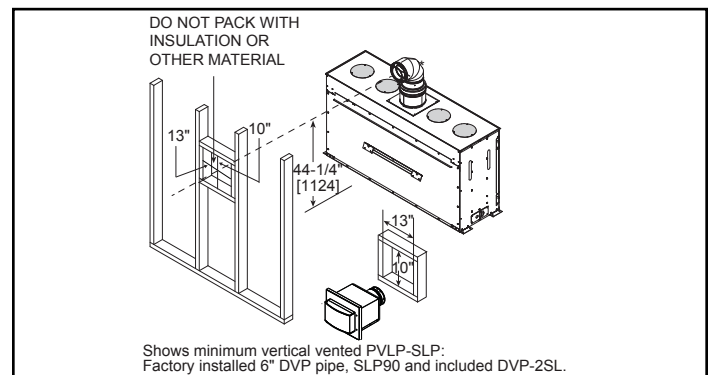
**CLEARANCES TO COMBUSTIBLES**



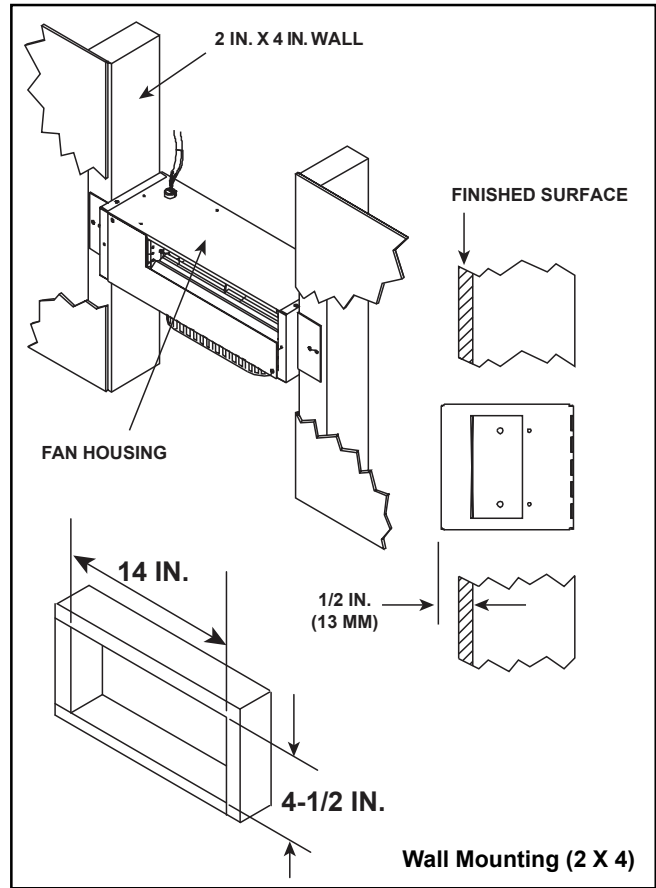
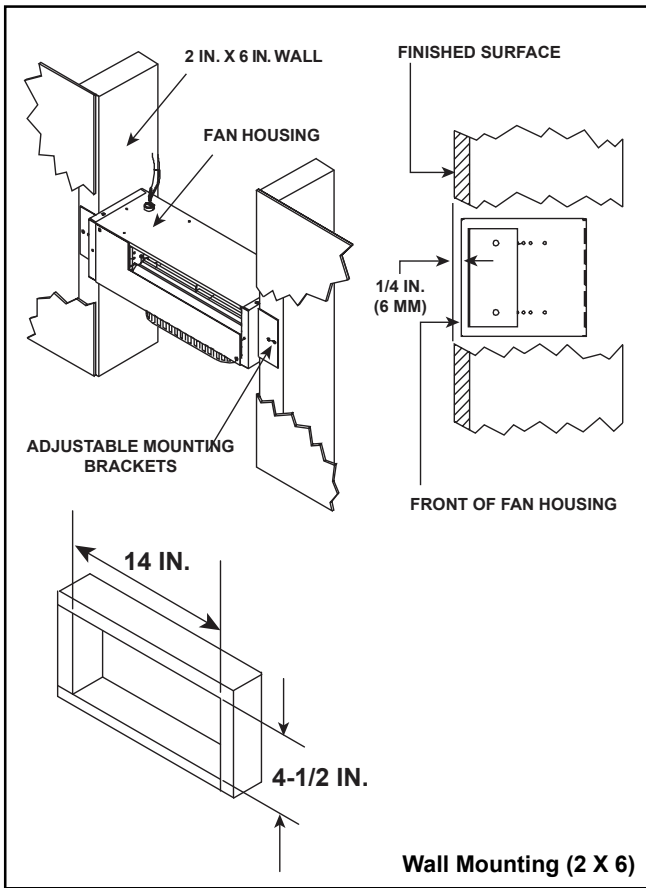
**MANTEL LEG/WALL PROJECTIONS - EXTENDING PAST THE FACE OF THE FIREPLACE**



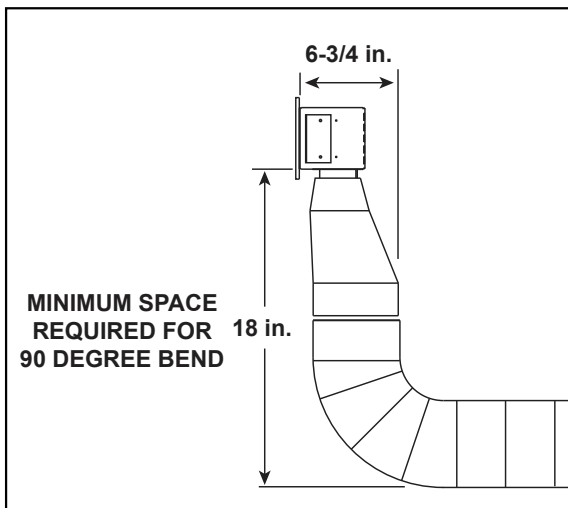
**WALL PENETRATION**



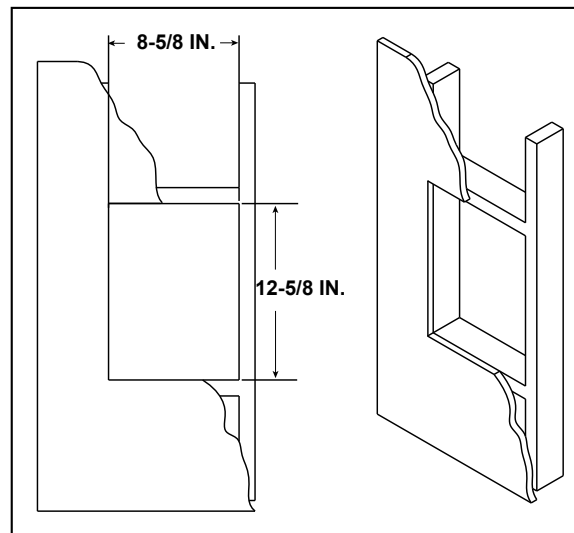
HEAT-ZONE KIT INSTALLATION




HEAT-ZONE FLEX PIPE INSTALLATION



HEAT OUT FRAMING



PRODUCT LISTING CODES	
US	ANSI Z21.50-2014
CAN	CSA 2.22-2014
	UL307B

Product information provided is not complete and is subject to change without notice. Product installation must adhere strictly to instructions accompanying product to avoid risk of fire and potential injury.

Additional information can be found online at [www.heatnglo.com](http://www.heatnglo.com)