

Part number list on following page.

No one builds a better fire

Beginning Manufacturing Date: Mar 2018  
Ending Manufacturing Date: Active

**IMPORTANT: THIS IS DATED INFORMATION.** Parts must be ordered from a dealer or distributor. **Hearth and Home Technologies does not sell directly to consumers.** Provide model number and serial number when requesting service parts from your dealer or distributor.

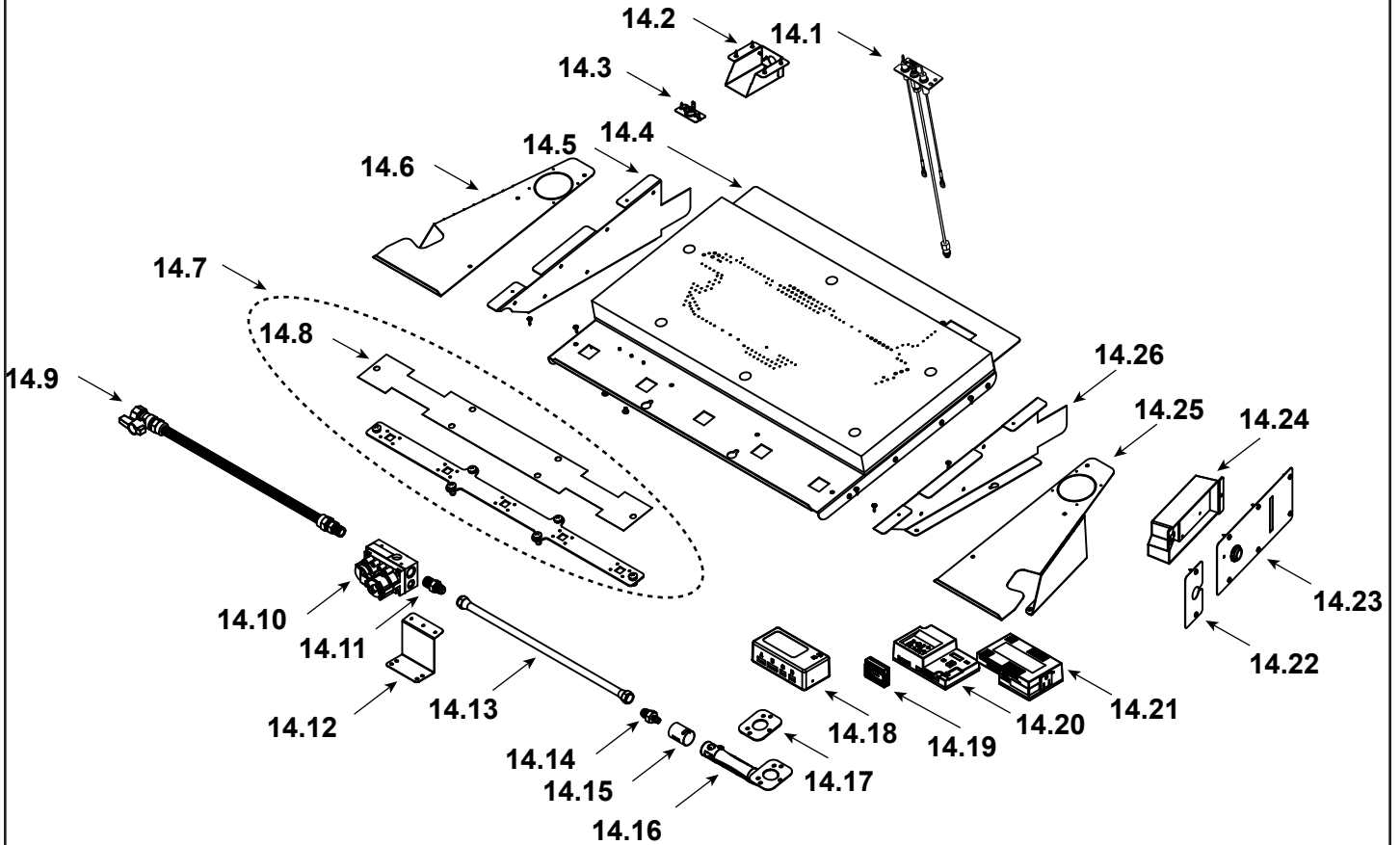


**Stocked  
at Depot**

ITEM	DESCRIPTION	COMMENTS	PART NUMBER	
1	Cover Plate, Top		SRV4095-138	
2	Insulation, Box		SRV4095-311	
3	Flue Cover		SRV4095-137	
<p><b>#4 Insulation Kit</b></p>				
4	Insulation Kit		SRV4095-033	
4.1	Insulation, Top		SRV4095-305	
4.2	Baffle Assembly		SRV4095-009	
4.3	Insulation, Side	Qty 2 req	SRV4095-309	
4.4	Insulation, Front		SRV4095-307	
4.5	Insulation, Bottom		SRV4095-306	
4.6	Insulation, Back		SRV4095-308	
5	Insulation Bracket, Front Upper		SRV4095-134	
6	Lower Insulation Bracket	Qty 4 req	SRV4095-132	
7	Smoke Shield Assembly		SRV4095-019	
7.1	Smoke Shield Wing, Left		SRV4095-163	
7.2	Smoke Shield		SRV4095-164	
7.3	Smoke Shield Wing, Right		SRV4095-162	
8	Cable Clamp, Adjustable	Qty 9 req	SRV4095-318	
9	Cover Plate, OA	Qty 2 req	SRV4095-185	
10	Collar Box/Flu Assembly		SRV4095-007	
11	Insulation, Collar		SRV4095-316	
12	Cover Plate, Rear		SRV4095-152	
13	Insulation Bracket, Upper Rear		SRV4095-135	
	Grate Assembly		SRV4096-014	
	Firescreen Assembly	Qty 2 req	29958	Y
	Screen Rod	Qty 2 req	28404	Y

Additional service part numbers appear on following page.

### #14 Valve Assembly



IMPORTANT: THIS IS DATED INFORMATION. Parts must be ordered from a dealer or distributor. **Hearth and Home Technologies does not sell directly to consumers.** Provide model number and serial number when requesting service parts from your dealer or distributor.



Stocked at Depot

ITEM	DESCRIPTION	Comments	Part Number	Stocked at Depot
14.1	Pilot Assembly, NG		SRV4018-065	Y
14.2	Light Channel		SRV4095-151	
14.3	Limit Switch Assembly		SRV4095-013	Y
14.4	Burner Top Assembly		SRV4096-022	Y

Additional service part numbers appear on following page.

No one builds a better fire

Beginning Manufacturing Date: Mar 2018  
Ending Manufacturing Date: Active

IMPORTANT: THIS IS DATED INFORMATION. Parts must be ordered from a dealer or distributor. **Hearth and Home Technologies does not sell directly to consumers.** Provide model number and serial number when requesting service parts from your dealer or distributor.



**Stocked  
at Depot**

ITEM	DESCRIPTION	Comments	Part Number	Stocked at Depot
14.5	Burner Pan Leg, Left		SRV4095-167	
14.6	Refractory Wing, Left		SRV4095-344	
14.7	LED Light Assembly		SRV4096-024	Y
14.8	Kapton		SRV4096-347	Y
14.9	Flex Ball Valve		SRV302-320	Y
14.10	Fixed Valve, NG		593-500	Y
14.11	Male Connector	Pkg of 5	303-315/5	Y
14.12	Bracket, Valve		SRV4095-168	
14.13	Gas Line, Flex 16"		SRV4121-006	Y
14.14	Flare Injector, .161 (#20) NG		SRV4095-346	Y
	Flare Injector, .098 (#40) Propane		SRV4095-345	Y
14.15	Air Shutter		20305955	Y
14.16	Venturi w/Screw, No Air Shutter		SRV69D1026	
14.17	Venturi Gasket		SRV45D0032	Y
14.18	Blower Speed Control		SRV4095-317	Y
14.19	Module, RF FCC		2326-120	Y
14.20	Module, IFT Control		SRV2326-130	Y
14.21	Module, B Type AC		2326-150	Y
14.22	Cover Plate, Accessory Cable		SRV4095-144	
14.23	Cover Plate, Jbox		SRV4095-143	
14.24	Junction Box (Plastic)		SRV4021-013	Y
14.25	Refractory Wing, Right		SRV4095-343	
14.26	Burner Pan Leg, Right		SRV4095-166	
	RC400Remote		SRV2326-110	Y
	Transformer, 6 Volt		SRV2326-131	Y
	Reset Switch Wire		2326-135	Y
	Cable, B Type AC Module		SRV2326-152	Y
	Harness, IFT 6 PIN Wiring		SRV4095-366	Y
	High Limit Switch Wire Assembly		SRV4095-368	Y
	Switch Harness		SRV4095-374	Y
	AUX Power Harness		SRV4095-375	Y
	Mineral Wool		050-721	
	Teco Sil		700-790	
	Wire Harness, Cap to Appliance	10 Ft	TV-WH10	Y
		25 Ft	TV-WH25	Y
		50 Ft	TV-WH50	Y

Additional service part numbers appear on following page.

No one builds a better fire

Beginning Manufacturing Date: Mar 2018  
Ending Manufacturing Date: Active

IMPORTANT: THIS IS DATED INFORMATION. Parts must be ordered from a dealer or distributor. **Hearth and Home Technologies does not sell directly to consumers.** Provide model number and serial number when requesting service parts from your dealer or distributor.



Stocked at Depot

ITEM	DESCRIPTION	COMMENTS	PART NUMBER	
<b>#15 Cap Assembly</b>				
15	Cap Assembly		SRV4095-040	
15.1	Capacitor Bracket		SRV4095-234	
15.2	Cover Plate, Cable		SRV4095-238	
15.3	Loop Clamp, 3/8"		SRV4095-315	
15.4	Fan Cover Assembly		SRV4095-044	
15.5	Blower		SRV4095-300	Y
15.6	Fan Mount Plate Assembly		SRV4095-048	
15.7	Trim Assembly		SRV4095-042	
15.8	Collar Assembly		SRV4095-043	
15.9	Base Plate Assembly		SRV4095-046	
15.10	Swedge Plate Assembly		SRV4095-062	
15.11	Wall Shield Assembly		SRV4095-060	
15.12	Heat Shield		4033-123	
15.13	Firestop Spacer		SRV4095-239	
15.14	Slip Section, Female		SRV4095-235	

Additional service part numbers appear on following page.

No one builds a better fire

Beginning Manufacturing Date: Mar 2018  
Ending Manufacturing Date: Active

IMPORTANT: THIS IS DATED INFORMATION. Parts must be ordered from a dealer or distributor. **Hearth and Home Technologies does not sell directly to consumers.** Provide model number and serial number when requesting service parts from your dealer or distributor.



**Stocked  
at Depot**

ITEM	DESCRIPTION	COMMENTS	PART NUMBER	
<b>#16 Log Assembly</b>		<b>Hearth Refractory</b>		
16	Log Assembly		SRV4096-427	
16.1	Back Log		SRV4096-428	
16.2	Left Middle Log, Upper		SRV4096-429	
16.3	Right Middle Log		SRV4096-430	
16.4	Left Middle Log, Lower		SRV4096-431	
16.5	Right Front Log		SRV4096-432	
16.6	Left Top Log		SRV4096-433	
16.7	Center Top Log		SRV4096-434	
16.8	Right Top Log		SRV4096-435	
16.9	Left Wing Hearth Refractory(Included w/Log Assembly)		SRV4095-422	
16.10	Right Wing Hearth Refractory(Included w/Log Assembly)		SRV4095-423	
17	Hearth Kit (Includes Left, Center, & Front)		PHX42-EMBED-KIT	
	Refractory Assembly, Traditional		SRV4096-449	
	Glass Refractory, Assembly		SRV4096-320	
	Glass Bracket Kit		SRV4096-325	
	Bag Assembly, Touch Up Kit		2372-099	
	Lava Rock	2 lbs. Bag	4021-296	
<b>CONVERSION KITS</b>				
	Conversion Kit Propane		LPK-OH	Y
	Flare Injector, .098 (#40) Propane		SRV4095-345	Y
	Regulator Propane		SRVLPK-DXF	Y