

Part number list on following page.

No one builds a better fire

Beginning Manufacturing Date: Aug 2019
Ending Manufacturing Date: Active

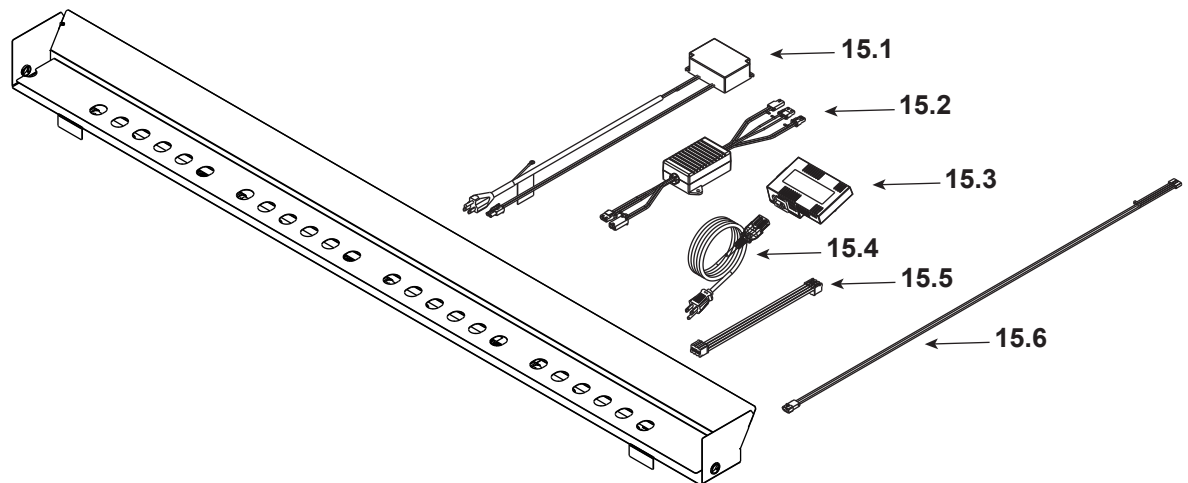
IMPORTANT: THIS IS DATED INFORMATION. Parts must be ordered from a dealer or distributor. **Hearth and Home Technologies does not sell directly to consumers.** Provide model number and serial number when requesting service parts from your dealer or distributor.



Stocked
at Depot

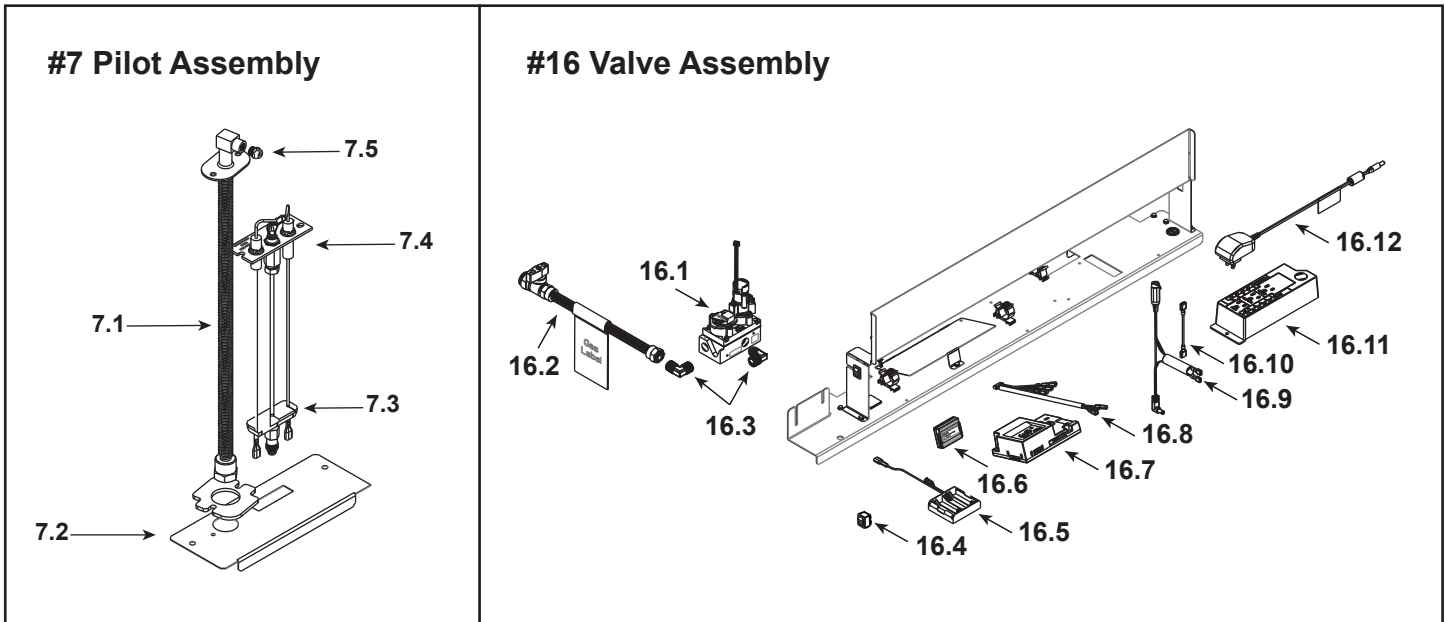
ITEM	DESCRIPTION	COMMENTS	PART NUMBER	
1	Non-combustible Board, Top	Qty 2 req	SRV2331-460	
2	Standoff, Top	Qty 4 req	2604-283	
3	Side Trim	Qty 4 req	2300-281	
4	Non-combustible Board, Side	Qty 4 req	2300-461	
5	Bottom Glass		2331-018	
6	Burner		2331-007	
7	Pilot Assembly		See Following Page	
8	Shield, Pilot		2300-195	
9	Glass Assembly	Qty 2 req	GLA-72-HNG	
10	Shield, Bottom Glass w/vent		2331-179	
	Shield, Bottom Glass		2332-179	
11	Panel, Bottom w/vent		2331-147	
	Panel, Bottom		2332-147	
12	Rock Tray		2331-151	
13	Heat Shield, Front		2607-150	
14	Heat Shield, Rear		2607-151	

#15 LED Light Assembly



15	LED Light Assembly		ALK-72-C	
15.1	Power Supply, LED 40W		2326-113	Y
15.2	LED Dimmer		2326-112	Y
15.3	Module, B Type AC		2326-150	Y
15.4	Cable, B Type AC Module		SRV2326-152	Y
15.5	LED Lightbar Connection		2300-753	Y
15.6	Cable, Linear LED		2300-754	Y

Additional service part numbers on following page.



IMPORTANT: THIS IS DATED INFORMATION. Parts must be ordered from a dealer or distributor. **Hearth and Home Technologies does not sell directly to consumers.** Provide model number and serial number when requesting service parts from your dealer or distributor.



Stocked at Depot

ITEM	DESCRIPTION	COMMENTS	PART NUMBER	
7.1	Bulkhead w/Flex tube		2166-119	Y
7.2	Plate Flex and Pilot		2300-163	
7.3	3-Hole Grommet		SRV2118-420	
7.4	Pilot Assembly, NG		2406-012	Y
	Pilot Assembly, Propane	Convert 2406-012 with SRV593-527		Y
7.5	Orifice, NG #23C		582-823	Y
	Orifice, Propane #45C		582-845	Y
16.1	Valve, NG		2166-302	Y
	Valve, Propane		2166-303	Y
16.2	Flex Ball Valve Assembly		2078-022	Y
16.3	Elbow	Qty 2 req	SRV4021-045	
16.4	Reset Switch		2206-298	Y
16.5	Battery Pack**		SRV2326-134	Y
16.6	Module, RF		2326-120	Y
16.7	Module, IFT Control		SRV2326-130	Y
16.8	Wire Harness		SRV2326-132	Y
16.9	Reset Switch Wire		2326-135	Y
16.10	Jumper Wire, 2.5 inch		2155-033	Y
16.11	Junction Box		SRV4021-013	Y
16.12	Transformer, 6 Volt Wall		SRV2326-131	Y

**Fuse for battery pack can be sourced locally, not a warranty item. Specs are 250v, 3A fuse, 3/4" long

Additional service part numbers on following page.

