

heatilator[®]
The first name in fireplaces

Legacy

TrueView Gas Fireplace

Available IntelliFire[®]
app and voice control





Legacy

Nothing comes
between you and the fire

The Legacy TrueView gas fireplace is the first ever gas fireplace without glass that terminates horizontally. A large, traditional viewing area, robust flames and mild heat for year round use are yours with an intuitive touchscreen remote control. And WhisperTone™ technology provides flexibility to install the Legacy where you want it.

Features

- No glass
- Large 42" x 28-1/2" viewing area
- 65,000 BTUs
- Mild heat output allows placement of a TV 12" above the fireplace opening and year round enjoyment
- Large premium cast logs
- Enhanced safety with the IntelliFire Touch® ignition system
- IntelliFire® touchscreen remote comes standard; add the IntelliFire app or wireless wall switch for the solution that fits your life
- Top down accent lighting



Options

Interior Panels



Traditional Interior Panels



Herringbone Interior Panels

Doors



Black Grand Vista Screen Doors

Controls

IntelliFire App

All the features of a remote control with an app installed on your smart device. Monitor your fire from anywhere or even control it with the sound of your voice. IntelliFire is compatible with voice assistants Amazon Alexa and Google Assistant.



Touchscreen Remote

Features: on/off, flame height adjustment, fan speed, lights adjustment, thermostat mode, room temperature readout, child lock, timer mode, battery backup, cold climate mode, power vent, wall docking station (fan, lights and power vent are dependent on your fireplace).



Wireless Wall Switch

Features: on/off, battery strength indicator, cold climate mode



Technology

IntelliFire Touch Ignition System IntelliFire Touch is our most advanced intermittent-pilot ignition (IPI) system, making operating your appliance simple, smart and safe. Select from the IntelliFire app, touchscreen remote or wireless wall switch for the solution that fits your life.

WhisperTone Technology Patent-pending system allows airflow with minimal sound, the ability to terminate horizontally for fireplace location flexibility, and an automatic damper which stops air movement when the fireplace is off, preventing cold air infiltration into the home.

Cover: Legacy shown with standard mesh screen and traditional brick interior

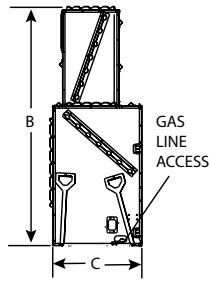
Left: Legacy shown with optional black Grand Vista screen doors and herringbone brick interior

Above: Legacy shown with standard mesh screen and traditional brick interior

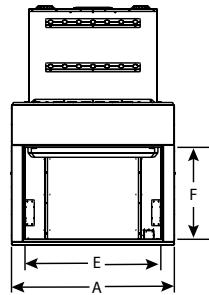


Specifications

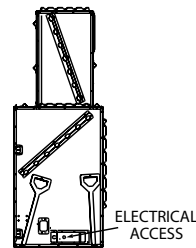
MODEL	FRONT WIDTH (A)		HEIGHT (B)		DEPTH (C)		BACK WIDTH (D)		VIEWING AREA (E X F)	BTU/HR INPUT
	ACTUAL	FRAMING	ACTUAL	FRAMING	ACTUAL	FRAMING	ACTUAL	FRAMING		
Legacy42	50-3/8" (1280)	51-3/8" (1305)	74-1/8" (1883)	74-5/8" (1895)	28-1/2" (724)	28" (711)	34-5/8" (879)	51-3/8" (1305)	42" x 28-1/2" (1067 x 724)	65,000



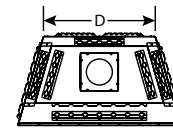
Left View



Front View



Right View

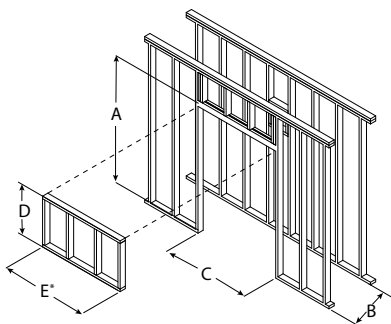


Top View

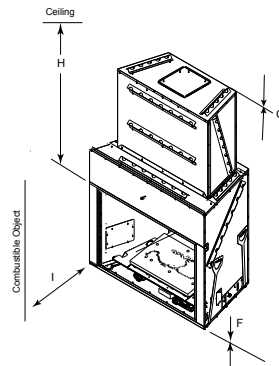
Dimensions are in inches and millimeters. Product information is not complete and is subject to change without notice. Product installation must adhere strictly to instructions shipped with product. We recommend measuring individual units at installation. NOTE: Combustible material should not cover the face. Refer to installation manual for detailed specifications on installing this product. Hearth & Home Technologies® reserves the right to update units periodically. Actual product appearance, including flame, may differ from product images.

Framing

A	B	C	D	E	F	G	H	I
74-5/8" (1895)	28" (713)	51-3/8" (1305)	29-3/4" (737)	51-1/4" (1302)	0" (0)	0" (0)	30" (762)	36" (914)



*Frame down to fireplace after unit is installed.



Legacy shown with standard mesh screen and herringbone brick interior

Efficiency Rating EnerGuide (CSA P.4.1-15)
EnerGuide is a rating used in Canada to measure annual fireplace efficiency.

LEGACY
19.8% (NG)

Exceptional Value + Dependability

Why do contractors, architects and homebuyers trust Heatilator? Because we mix value with dependability. Established in 1927, Heatilator has built a longstanding reputation for providing quality, dependable hearth products at unbeatable values. Today, Heatilator remains the most preferred, recommended and installed fireplace brand among building professionals.

Available from

heatilator
The first name in fireplaces

800-927-6841 | heatilator.com
[facebook.com/Heatilator](https://www.facebook.com/Heatilator)
twitter.com/Heatilator
[youtube.com/HeatilatorFireplaces](https://www.youtube.com/HeatilatorFireplaces)

HTL-1107U-0520

Limited Lifetime Warranty¹

The strongest in the industry, Heatilator provides a limited lifetime warranty on gas-burning products of the most important aspects: firebox and heat exchanger.

The information provided in this literature is for planning purposes only and subject to change. Please consult the installation manual for actual installation. Actual product appearance may differ from product images.

² For full warranty details go to heatilator.com.

Google, YouTube and Google Home are trademarks of Google LLC. Amazon, Alexa, and all related logos are trademarks of Amazon.com, Inc. or its affiliates.

