

heatilator[®]
The first name in fireplaces



Multi-Sided Series

Direct Vent Gas Fireplaces

Available IntelliFire[®]
app and voice control



Multi-Sided Fireplaces



a room
with a view

See-Through 36" with Craftsman front in black, reflective black glass and log set

The Heatilator gas multi-sided series offers unmistakable views of the fire. This series adds architectural interest to every home, with a dramatic peninsula model offering three-sided viewing, a see-through model adding warmth and beauty to two separate rooms, or a corner model designed to light up tight spaces. The design possibilities for dividing a space is easy with these unique multi-sided fireplaces.

Enjoy total control while operating your fireplace. It is simple, smart and safe with IntelliFire Touch®. Select the touchscreen remote control or wireless wall switch for the solution that fits your life.

With unsurpassed dependability and exceptional value, the Heatilator gas multi-sided series allows you to simply enjoy the view.

Features

- See-through, peninsula and corner configurations offer dramatic views of the fire
- See-through is available with a 31" or 36" viewing area
- Control options include IntelliFire® app, compatible with voice assistants Amazon Alexa and Google Assistant
- Variable flame control up to 38,000 BTUs
- Standard black metal interior
- Convert from traditional to contemporary with a modern conversion kit¹



See-Through 36" with modern conversion kit

Options and Accessories

Fronts

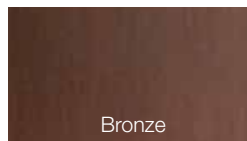
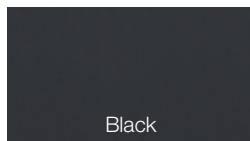


Simon Front - Available in black for all models



Craftsman Front¹ - Available in black or bronze for 36" models only

Finishes



Cover: Peninsula with Simon front in black, reflective black glass and modern conversion kit with scarlet glass
1 36" see-through and peninsula models only

Interiors¹



Weathered Traditional Brick



Reflective Black Glass

Interior Media¹



Crystal Glass



Ebony Glass



Cobalt Glass



Amber Glass



Scarlet Glass



Cast Stones

Controls

							
	INTELLIFIRE APP	TOUCHSCREEN REMOTE	WIRELESS WALL SWITCH	WSK200-HNG	SMART-STAT-HNG	WSK-MLT-HNG	RCT-MLT-HNG
Wi-Fi Connectivity	•						
Compatible with Voice Assistants Amazon Alexa and Google Assistant	•						
Control Your Fire From Anywhere	•						
On/Off	•	•	•	•	•	•	•
Touchscreen	•	•					
Fan Speed	•	•		•		•	•
Flame Control	•	•				•	•
Thermostat Mode	•	•			•	•	•
Timer Mode	•				•		•
Temperature Readout	•	•			•	•	•
Cold Climate Mode	•	•	•				
Child Lock		•					
Hot Indicator		•					
On-Screen Maintenance and Troubleshooting		•					
Dealer Info		•					
Auto Battery Backup		•		•			
Battery Strength Indicator		•	•	•			
Flame Modulation		•					
Pilot Activation		•		•		•	
Aux Function		•				•	

Additional Options Not Pictured

- Fan kit: extends the heating range of your fireplace
- Gas conversion kit: change between using LP or natural gas

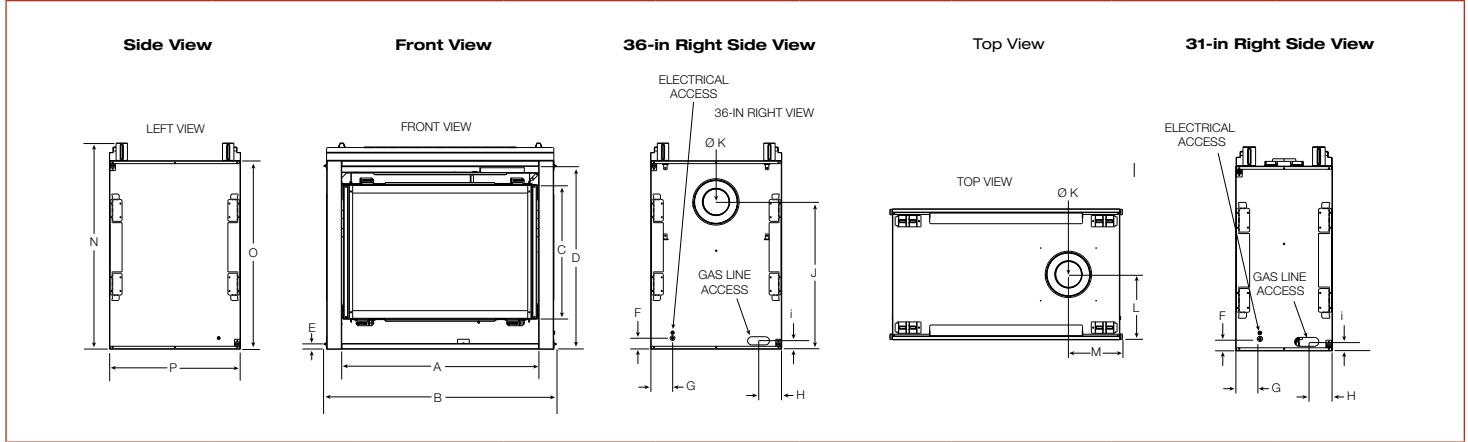
Venting

Direct Vent: DVP pipe and SLP pipe

¹ 36" see-through and peninsula models only

See-Through Technical Specifications

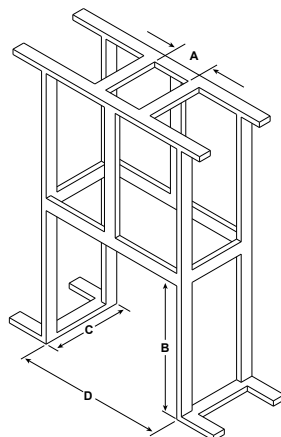
MODEL	A	B	C	D	E	F	G	H
31"	31-1/8" [791]	37-5/8" [956]	21" [533]	30-1/4" [768]	1" [25]	2-1/8" [54]	4-1/8" [105]	4-1/4" [108]
36"	36" [914]	42-1/2" [1080]	24-1/2" [622]	33-1/2" [851]	1" [25]	2-1/8" [54]	4-1/8" [105]	4-1/4" [108]
	I	J	K	L	M	N	O	P
31"	1-1/2" [38]	N/A	N/A	8" [203]	8-3/4" [222]	34-1/2" [876]	31-1/4" [794]	16" [406]
36"	1-1/2" [38]	27" [686]	8" [203]	12" [305]	9-1/2" [241]	38" [965]	34-5/8" [879]	24" [610]



See-Through with Simon front in black, reflective black glass interior and modern conversion kit with crystal and ebony glass

Framing Dimensions

	GDST4336I	GDST3831I
A Rough Opening (Width)	10" [254] DVP Pipe 8-5/8" [219] SL Pipe	8-5/8" [219] SL Pipe
B Rough Opening (Height)	38-1/8" [968]	34-3/4" [883]
C* Rough Opening (Depth)	23" [584] DVP Pipe	15" [381] DVP Pipe
D Rough Opening (Width)	43" [1092]	38-1/8" [968]



All dimensions in inches. The rough framing dimensions shown represent the distance from stud to stud only and do not take into consideration the addition of drywall. Please refer to installation instructions for complete specifications and drawings when installing this product. Visit www.heatilator.com to download.

*Adjust framing dimensions for interior sheathing (such as sheetrock)

Efficiencies

Steady State - Since most homeowners use their fireplaces for an extended time while they are in the room, Steady State measures how efficiently your fireplace converts fuel to heat once it is warmed up and running in a "steady state".

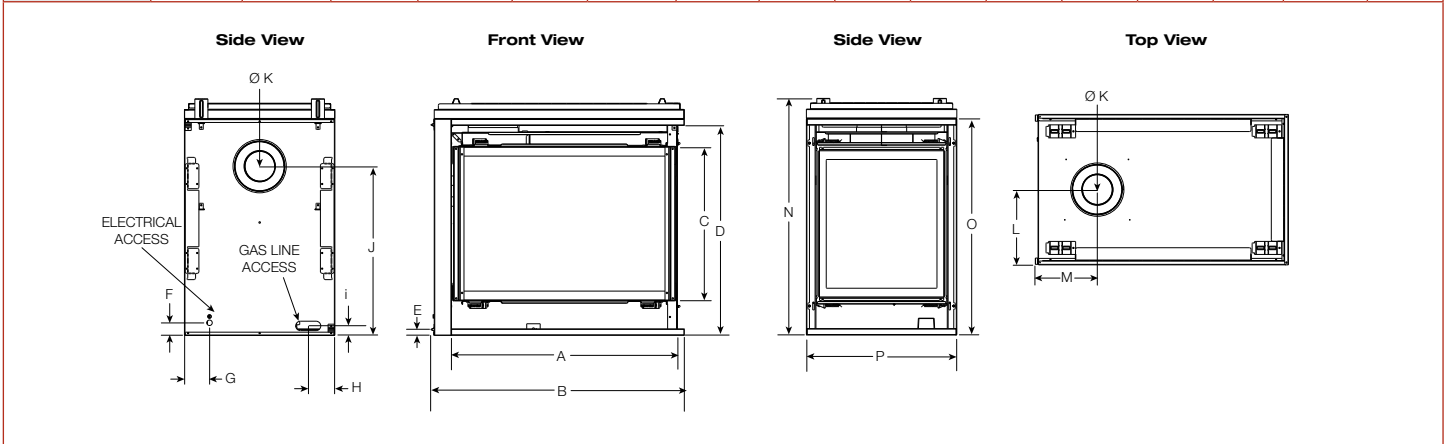
AFUE - AFUE rating is more typically used with appliances, like your furnace, that continually cycle on and off to maintain a constant temperature.

EnerGuide (CSA P.4.1-15) - EnerGuide is a rating used in Canada to measure annual fireplace efficiency.

RATING	GDST4336I	GDST3831I
Steady State	72%	74%
AFUE	53%	47%
EnerGuide (CSA P.4.1-15)	58%	51%

Peninsula Technical Specifications

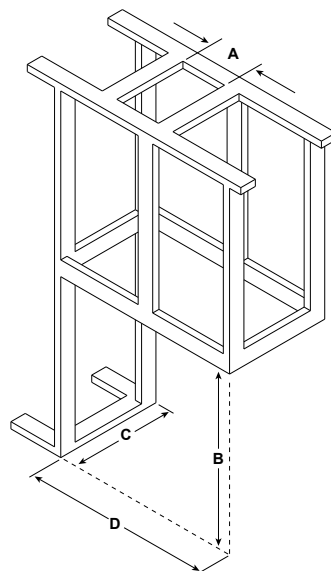
MODEL	A	B	C	D	E	F	G	H	I	J	K	L	M	N	O	P
36"	36" [914]	40-1/2" [1029]	24-1/2" [622]	33-1/2" [851]	1" [25]	2-1/8" [54]	4-1/8" [105]	4-1/4" [108]	1-1/2" [38]	27" [686]	8" [203]	12" [305]	9-1/2" [241]	38" [965]	34-5/8" [879]	24" [610]



Peninsula with Simon front in black, reflective black glass interior and log set

Framing Dimensions

GDFL4136I	
A Rough Opening (Width)	10" [254] DVP Pipe 8-5/8" [219] SL Pipe
B Rough Opening (Height)	38-1/8" [968]
C* Rough Opening (Depth)	23" [584] DVP Pipe
D Rough Opening (Width)	40" [1016]



* Adjust framing dimensions for interior sheathing (such as sheetrock)

Efficiencies

Steady State - Since most homeowners use their fireplaces for an extended time while they are in the room, Steady State measures how efficiently your fireplace converts fuel to heat once it is warmed up and running in a "steady state".

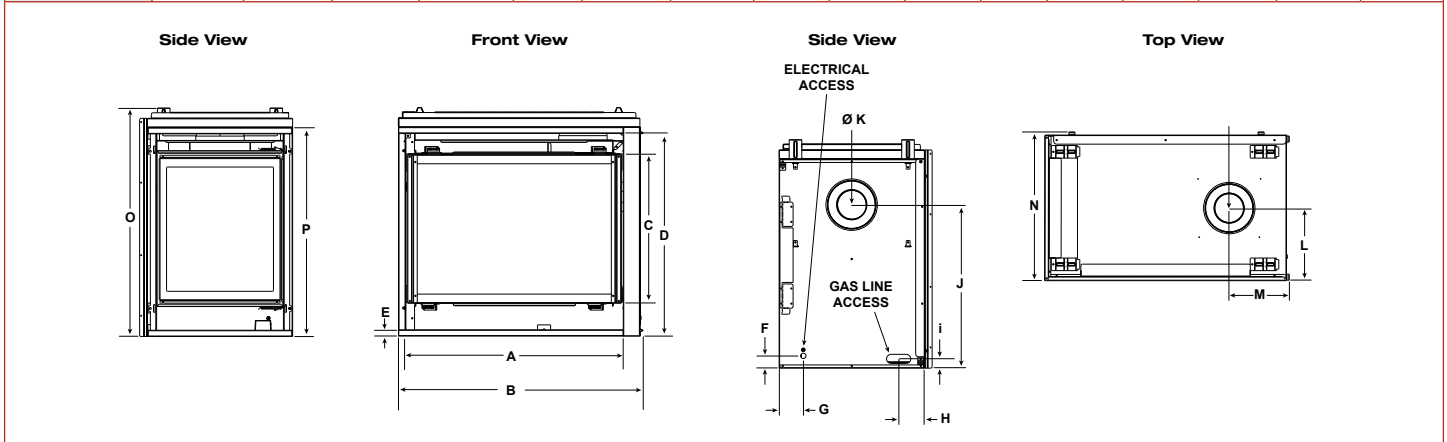
AFUE - AFUE rating is more typically used with appliances, like your furnace, that continually cycle on and off to maintain a constant temperature.

EnerGuide (CSA P.4.1-15) - EnerGuide is a rating used in Canada to measure annual fireplace efficiency.

RATING	GDFL4136I
Steady State	75%
AFUE	68%
EnerGuide (CSA P.4.1-15)	58%

Corner Technical Specifications

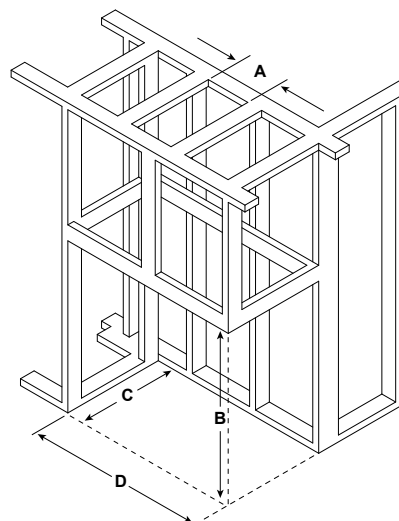
MODEL	A	B	C	D	E	F	G	H	I	J	K	L	M	N	O	P
36"	36" [914]	40-1/2" [1029]	24-1/2" [622]	33-1/2" [851]	1" [25]	2-1/8" [54]	4-1/8" [105]	4-1/4" [108]	1-1/2" [38]	27" [686]	8" [203]	12" [305]	9-1/2" [241]	24-1/2" [622]	38" [965]	34-5/8" [879]



Corner with Simon front in black and brick interior

Framing Dimensions

LCOR/RCOR-DV36IN	
A Rough Opening (Width)	10" [254] DVP Pipe 8-5/8" [219] SL Pipe
B Rough Opening (Height)	38-1/8" [968]
C* Rough Opening (Depth)	24" [610] DVP Pipe
D Rough Opening (Width)	40" [1016]



*Adjust framing dimensions for interior sheathing (such as sheetrock)

Efficiencies

Steady State - Since most homeowners use their fireplaces for an extended time while they are in the room, Steady State measures how efficiently your fireplace converts fuel to heat once it is warmed up and running in a "steady state".

AFUE - AFUE rating is more typically used with appliances, like your furnace, that continually cycle on and off to maintain a constant temperature.

EnerGuide (CSA P.4.1-15) - EnerGuide is a rating used in Canada to measure annual fireplace efficiency.

RATING	GDCL/CR4136I
Steady State	72%
AFUE	59%
EnerGuide (CSA P.4.1-15)	54%

Technology

Direct Vent Technology

With Direct Vent fireplaces and inserts, 100% of combustion exhaust and fumes are removed from your home. These sealed fireplaces provide optimal heat, conserve energy and ensure clean, safe indoor air quality.

IntelliFire Touch Ignition System

IntelliFire Touch is our most advanced intermittent-pilot ignition (IPI) system, making operating your appliance simple, smart and safe. Select from the IntelliFire app, touchscreen remote or wireless wall switch for the solution that fits your life.

Exceptional Value + Dependability

Why do contractors, architects and homebuyers trust Heatilator? Because we mix value with dependability. Established in 1927, Heatilator has built a long standing reputation for providing quality, dependable hearth products at unbeatable values. Today, Heatilator remains the most preferred, recommended and installed fireplace brand among building professionals.

This Page: See-Through 36" log and ember detail

Available from

heatilator
The first name in fireplaces

800-927-6841 | heatilator.com

[facebook.com/Heatilator](https://www.facebook.com/Heatilator)

twitter.com/Heatilator

[youtube.com/HeatilatorFireplaces](https://www.youtube.com/HeatilatorFireplaces)

HTL-1057-0420

Limited Lifetime Warranty¹

The strongest in the industry, Heatilator provides a limited lifetime warranty on wood-burning products of the most important aspects: firebox and heat exchanger.

¹ For full warranty details go to heatilator.com.

The information provided in this literature is for planning purposes only and subject to change. Please consult the installation manual for actual installation. Actual product appearance may differ from product images.

Fireplace glass and other surfaces get extremely HOT and can cause severe burns if touched. Keep a safe distance away. To learn more visit www.heatilator.com/fireplacesafety.

Google, YouTube and Google Home are trademarks of Google LLC. Amazon, Alexa, and all related logos are trademarks of Amazon.com, Inc. or its affiliates.

