

PALOMA

DIRECT VENT GAS STOVE

HEAT & GLO®



PALOMA

Modern European styling. At home uptown, downtown, and everywhere in between. The Paloma takes a whole new approach to functional modern design.



PALOMA in black with bronze glass front and gray hearth pad

SLENDER STANCE The clean lines and slender proportions of the Paloma perfectly suit a variety of spaces. From more intimate areas to open floor plans.

FINISHED YOUR WAY We created the fire. Now it's yours to enjoy. Define your style with distinctive finishing combinations.

COLOR OPTIONS Choose between the black stove with bronze-tinted curved glass front (left), or gray stove with gray-tinted curved glass front (right). Add an optional gray-tinted glass hearthpad to complete the look.



STANDARD SAFETY SCREEN Mesh safety barrier screens protect against direct contact with the glass front of the stove. These safety barrier screens help reduce the potential of a serious burn, and are included standard.



REMOTE CONTROL

Operate the Paloma with an added level of function and convenience with an optional wall switch or remote control.

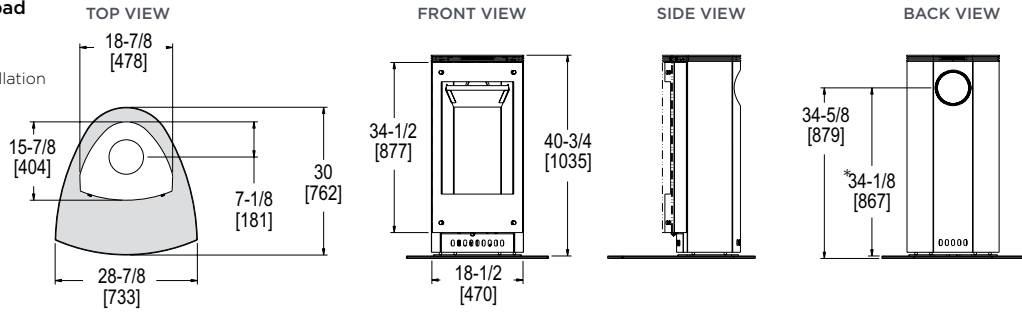


SPECIFICATIONS

MODEL	FRONT WIDTH	BACK WIDTH	HEIGHT	DEPTH	GLASS SIZE	BTU/HOUR INPUT
PALOMA	28-7/8	18-7/8	40-3/4	15-7/8	16-1/2 x 29	20,000-28,000 (NG)

Shown with optional hearth pad

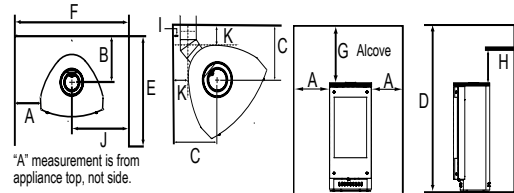
Vertical measurement includes optional hearth pad height of 3/8". Dimensions are in inches. See installation manual for more information



CLEARANCES TO COMBUSTIBLES

MODEL	A	B	C	D	E	F	G	H	I	J	K
PALOMA	6	10-1/8	12-1/8	54	36	30-3/4	13-1/4	13-1/4	1	15-1/2	5

Clearances are in inches. See installation manual for more information



Dimensions in diagrams are in inches and millimeters. Dimensions in table are in inches. Product information is not complete and is subject to change without notice. Product installation must adhere strictly to instructions shipped with product. We recommend measuring individual units at installation.

Refer to installation manual for detailed specifications on installing this product. Heat & Glo reserves the right to update units periodically. The flame and ember appearance may vary based on the type of fuel burned and the venting configuration used. Actual product appearance, including flame, may differ from product images.

TECHNOLOGIES



INTELLIFIRE™ IGNITION SYSTEM

An advanced intermittent pilot ignition system with memory settings, IntelliFire constantly monitors ignition, ensures safe functioning and conserves up to \$10/month in energy costs.



DIRECT VENT TECHNOLOGY

Direct Vent fireplaces remove 100% of combustion exhaust and odors outside of the home. These sealed fireplaces provide optimal heat, conserve energy and ensure clean, safe indoor air quality.

EFFICIENCIES

EnerGuide (CSA P.4.1-15) EnerGuide is a rating used in Canada to measure annual fireplace efficiency.

RATING	PALOMA
EnerGuide (CSA P.4.1-15)	70.8 (NG) 71.9 (LP)

For complete information on this model, please contact us at:



No one builds a better fire

Web: heatnglo.com
 Phone: (888) 427-3973 (952) 985-6000
 E-mail: info@heatnglo.com

- [facebook.com/HeatandGlo](https://www.facebook.com/HeatandGlo)
- twitter.com/HeatandGlo
- [youtube.com/HeatandGlo](https://www.youtube.com/HeatandGlo)

HNG-1141U-0320

LIMITED LIFETIME WARRANTY¹

The strongest in the industry, Heat & Glo[®] provides a limited lifetime warranty on the most important aspects: firebox and heat exchanger.

¹ For full warranty details, go to www.heatnglo.com.

Fireplace glass and other surfaces get extremely HOT and can cause severe burns if touched. Do not remove the protective safety screen from the front of the glass. Keep a safe distance away. To learn more visit www.heatnglo.com/fireplacesafety

