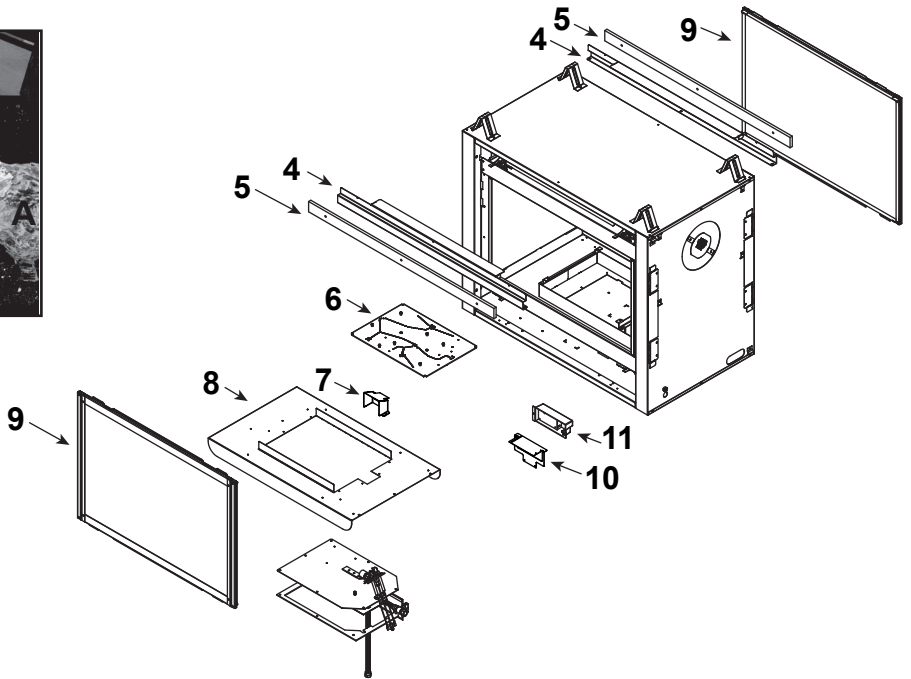
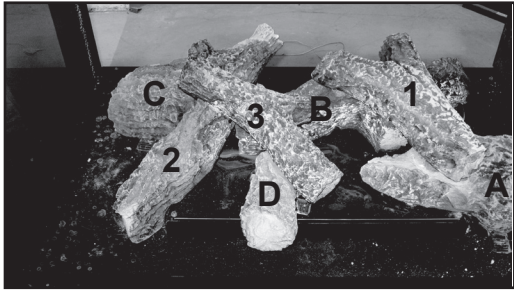


**Log Set Assembly**

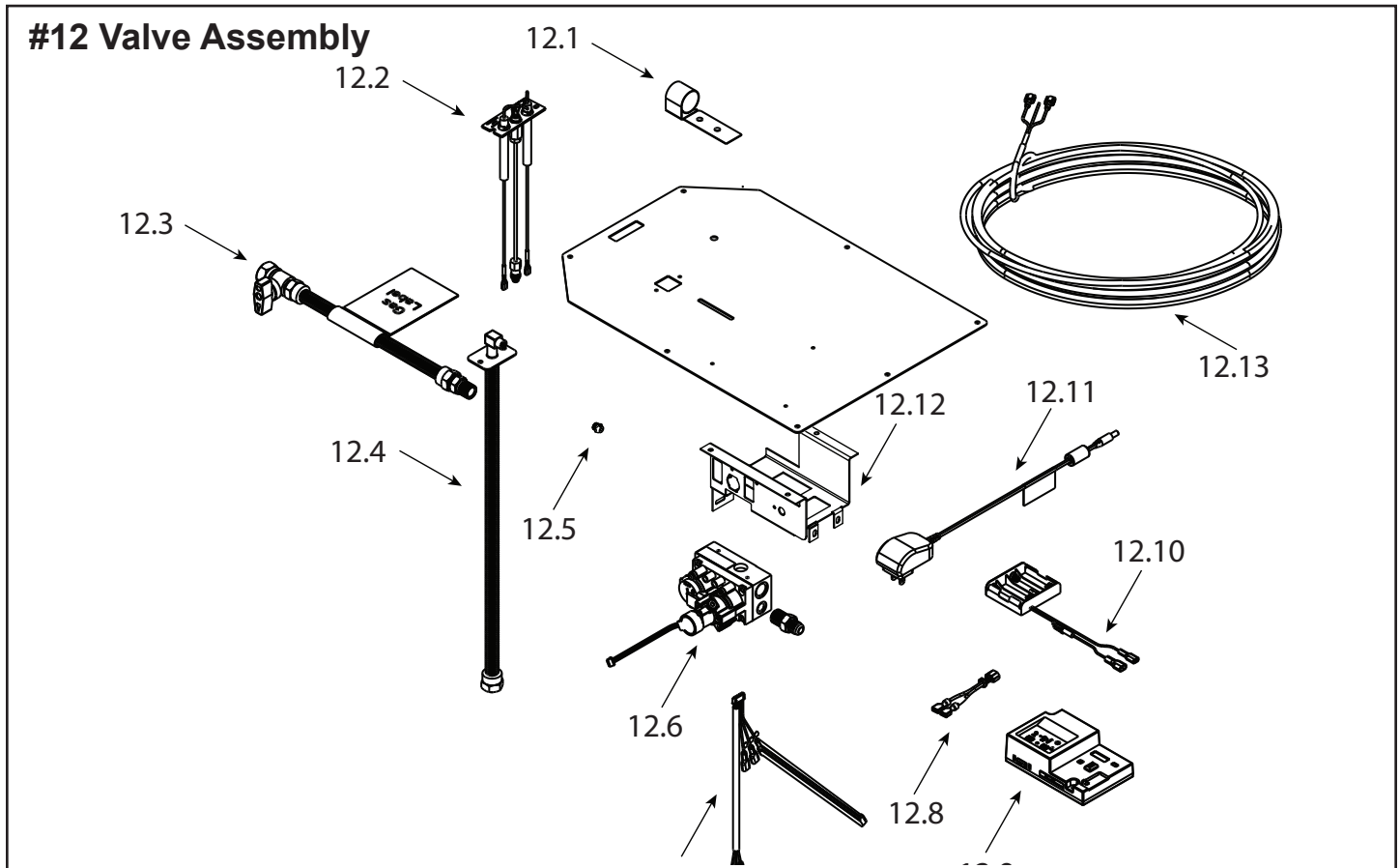


IMPORTANT: THIS IS DATED INFORMATION. Parts must be ordered from a dealer or distributor. **Hearth and Home Technologies does not sell directly to consumers.** Provide model number and serial number when requesting service parts from your dealer or distributor.



**Stocked at Depot**

| ITEM | DESCRIPTION   | COMMENTS  | PART NUMBER  | Stocked at Depot |
|------|---|-----------|--------------|------------------|
|      | Log Set Assembly  |           | LOGS-2129    | Y                |
| A    | Log A   |           | SRV2129-701  |                  |
| B    | Log B   |           | SRV2129-703  |                  |
| C    | Log C   |           | SRV2129-702  |                  |
| D    | Log D   |           | SRV2129-706  |                  |
| 1    | Log 1   |           | SRV2129-704  |                  |
| 2    | Log 2   |           | SRV2129-705  |                  |
| 3    | Log 3   |           | SRV2129-707  |                  |
| 4    | Sheetrock Ledge   | Qty 2 req | 2128-118     |                  |
| 5    | Non-Comb  | Qty 2 req | 2130-196     |                  |
| 6    | Burner NG, LP   |           | 2128-007     | Y                |
| 7    | Pilot Shield  |           | 2128-124     |                  |
| 8    | Base Pan  |           | 2132-115     |                  |
| 9    | Glass Door Assembly   | Qty 2 req | GLA-6TROC    | Y                |
| 10   | Junction Box Bracket  |           | 2128-128     |                  |
| 11   | Junction Box  |           | SRV4021-013  | Y                |
|      | Refractory Panel  |           | 2128-117     |                  |
|      | Refractory Air Passage Side                                   |           | 2128-116     |                  |
|      | Surround Overlay (contains overlay for top, bottom and sides) |           | SRV2128-FACE |                  |



IMPORTANT: THIS IS DATED INFORMATION. Parts must be ordered from a dealer or distributor. **Hearth and Home Technologies does not sell directly to consumers.** Provide model number and serial number when requesting service parts from your dealer or distributor.



**Stocked at Depot**

| ITEM  | DESCRIPTION                         | COMMENTS                         | PART NUMBER |   |
|-------|-------------------------------------|----------------------------------|-------------|---|
| 12.1  | Shutter Bracket Assembly            |                                  | 2118-121    | Y |
| 12.2  | Pilot Assembly NG                   |                                  | 2478-012    | Y |
|       | Pilot Assembly Propane              | Convert 2478-012 with SRV593-527 |             |   |
| 12.3  | Flex Ball Valve Assembly            |                                  | SRV302-320  | Y |
| 12.4  | Flexible Gas Connector              |                                  | 530-302A    | Y |
| 12.5  | Orifice NG (#32C)                   |                                  | SRV582-832  | Y |
|       | Orifice Propane (#50C)              |                                  | 582-850     | Y |
| 12.6  | Valve NG                            |                                  | 2166-302    | Y |
|       | Valve Propane                       |                                  | 2166-303    | Y |
| 12.7  | Harness, IFT 6 Pin Wiring           |                                  | SRV2326-132 | Y |
| 12.8  | Jumper Wire                         |                                  | SRV2187-198 | Y |
| 12.9  | Module, IFT Control                 |                                  | SRV2326-130 | Y |
| 12.10 | Battery Holder 4AA, IFT             |                                  | SRV2326-134 | Y |
| 12.11 | Transformer, 6 Volt Wall            |                                  | SRV2326-131 | Y |
| 12.12 | Valve, Bracket                      |                                  | 2118-104    |   |
| 12.13 | Thermostat Wire Assembly, Male/Male |                                  | SRV2118-170 | Y |

Additional service part numbers appear on following page.

