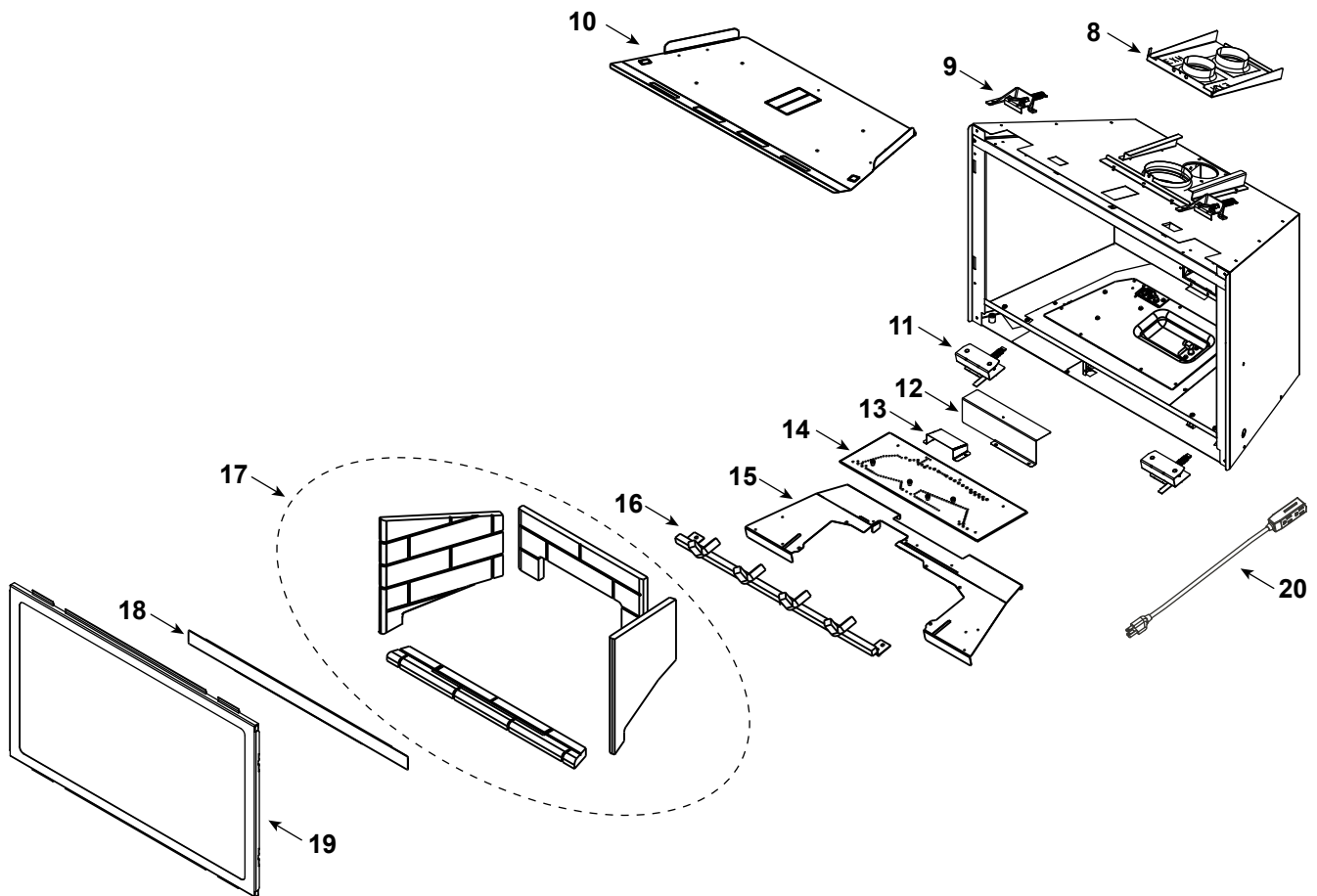
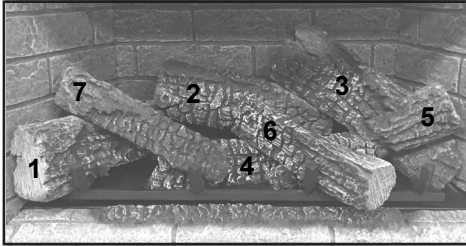


Log Set Assembly



Part number list on following page.

IMPORTANT: THIS IS DATED INFORMATION. Parts must be ordered from a dealer or distributor. **Hearth and Home Technologies does not sell directly to consumers.** Provide model number and serial number when requesting service parts from your dealer or distributor.

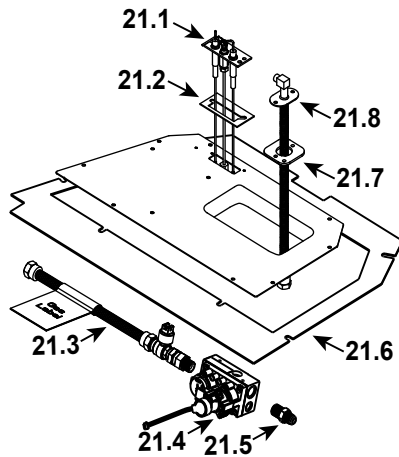


**Stocked
at Depot**

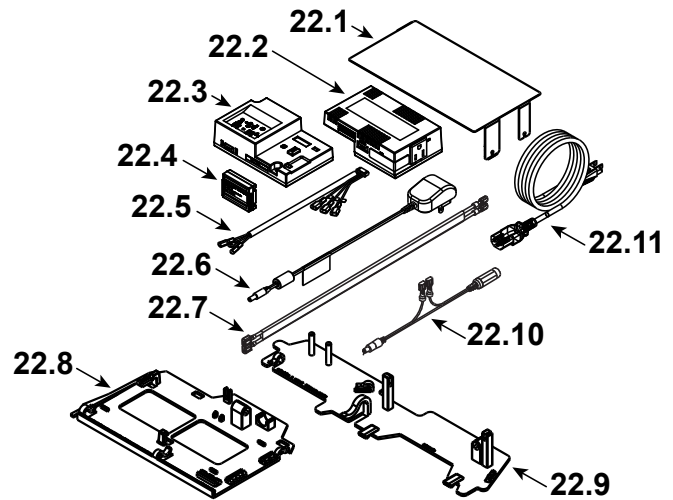
ITEM	DESCRIPTION	COMMENTS	PART NUMBER	
	Log Assembly (Hearth Refractory not Included)		LOGS-2537	Y
1	Log 1		SRV2537-711	
2	Log 2		SRV2537-712	
3	Log 3		SRV2537-713	
4	Log 4		SRV2538-714	
5	Log 5		SRV2537-716	
6	Log 6		SRV2537-717	
7	Log 7		SRV2537-715	
8	Slide Plate Assembly		2532-014	
	Tool, Slide Plate (Multi-purpose)		2532-140	
	Gasket		2532-113	
9	Glass Clip Assembly, Top	Qty 2 req	2155-046	
10	Baffle, Firebox		2531-138	
11	Glass Clip Assembly, Bottom	Qty 2 req	2532-009	
12	Air Scoop		2532-135	
13	Pilot Shield		2532-153	
14	Burner Assembly		2537-007	Y
15	Base Pan		2537-130	
16	Grate		2537-014	
17	Refractory Assembly		SRV2537-076	
	Hearth Refractory		SRV2537-703	
18	Seal, Glass Frame		2531-122	
19	Glass Door Assembly		GLA-2531	Y
20	Power Cord		2201-024	Y
	Fan		GFK-160A	Y

Additional service part numbers appear on following page.

#21 Valve Assembly



#22 Component Tray Assembly



IMPORTANT: THIS IS DATED INFORMATION. Parts must be ordered from a dealer or distributor. **Hearth and Home Technologies does not sell directly to consumers.** Provide model number and serial number when requesting service parts from your dealer or distributor.



**Stocked
at Depot**

ITEM	DESCRIPTION	COMMENTS	PART NUMBER	
21.1	Pilot Assembly NG		2550-013	Y
	Pilot Assembly Propane		2550-014	Y
21.2	Pilot Gasket		2532-134	
21.3	Flex Ball Valve Assembly		2532-081	Y
21.4	Valve NG		2166-302	Y
	Valve Propane		2166-303	Y
21.5	Male Connector	Pkg of 5	303-315/5	Y
21.6	Gasket, Valve Plate		2532-131	
21.7	Gasket, Bulkhead		438-407	
21.8	Bulkhead w/Flex Tube		SRV7000-156	Y
	Orifice NG (#40C)		582-840	Y
	Orifice Propane (#53C)		582-853	Y
22.1	Component Heat Shield		2532-144	Y
22.2	Module, B Type AC		2326-150	Y
22.3	Module, IFT Control		SRV2326-130	Y
22.4	Module, RF FCC		2326-120	Y
22.5	Harness, IFT 6 Pin Wiring		SRV2326-132	Y
22.6	Transformer, 6 Volt Wall		SRV2326-131	Y
22.7	Jumper Wire, 36" Male/Female		2159-310	Y
22.8	Tray, Component		2532-170	Y
22.9	Wire Tray		2532-171	Y
22.10	Wall Switch Jumper Wire		SRV2179-300	Y
22.11	Cable, B Type AC Module		SRV2326-152	Y

Additional service part numbers appear on following page.

