

IMPORTANT: THIS IS DATED INFORMATION. Parts must be ordered from a dealer or distributor. **Hearth and Home Technologies does not sell directly to consumers.** Provide model number and serial number when requesting service parts from your dealer or distributor.



**Stocked
at Depot**

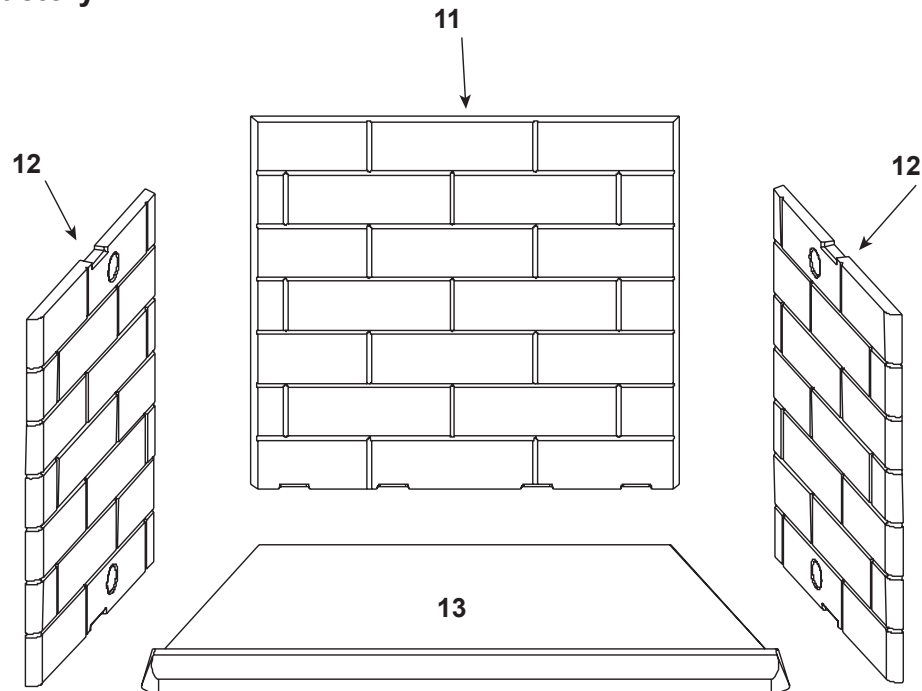
| ITEM | DESCRIPTION | COMMENTS | PART NUMBER | |
|------|--------------------------------|------------|-------------|---|
| 1 | 8 in. Starter Section Assembly | | SRV22069 | Y |
| 2 | Top Standoff | Qty. 4 req | SRV4044-111 | |
| 3 | Hood | | 31683 | |
| 4 | Upper Grille Assembly | | 31697 | Y |
| 5 | Smoke Shield | | 35221 | |
| 6 | Firescreen Assembly | Qty. 2 req | 29246 | Y |
| | Firescreen Ring (Qty 9 req) | Pkg of 10 | 11857B/10 | |
| | Firescreen Handle | | SRV10002 | |
| 7 | Hearth Filler | | SRV30332BK | |
| 8 | Lower Grille Assembly | | SRV31680BK | |
| 9 | Grate | | GR24 | Y |
| 10 | Junction Box | | 21878 | Y |
| | Installation Manual | | 4017-268 | |
| | Owner's manual | | 4017-267 | |

No one builds a better fire

Beginning Manufacturing Date: Sept 2000

Ending Manufacturing Date: Active

Traditional Refractory



IMPORTANT: THIS IS DATED INFORMATION. Parts must be ordered from a dealer or distributor. **Hearth and Home Technologies does not sell directly to consumers.** Provide model number and serial number when requesting service parts from your dealer or distributor.



Stocked
at Depot

| ITEM | DESCRIPTION | COMMENTS | PART NUMBER | |
|------|------------------------------------|------------|-------------|---|
| 11 | Brick Refractory - Back | | SRV28394 | |
| 12 | Brick Refractory - Left/Right Side | Qty. 2 req | SRV28393 | |
| 13 | Brick Refractory - Hearth | | SRV28391 | |
| | Top / Bottom Front Face | Overlay | SRV29902BK | |
| | Side Column (Left and Right) | Overlay | SRV29899BK | |
| | Glass Support, Top / Bottom | Overlay | SRV30569BK | |
| | Damper Repair Kit | | SRV4010-001 | |
| | Door Pivot Clip | Qty. 2 req | SRV31527 | |
| | Door Track | | SRV15427 | |
| | Firescreen Rod | Qty. 2 req | SRV4010-102 | Y |
| | Junction Box Cover Plate | Qty. 3 req | SRV26548 | |
| | Junction Box Kit | | JK9 | Y |
| | Nailing Flange | Qty. 4 req | 31190 | |
| | Drywall Flange | | 28388 | |
| | Refractory Retainer | Qty. 3 req | SRV11847 | |
| | Smoke Shield Extension Kit | | 35397 | |
| | Strip Protector | Qty. 2 req | SRV18320 | |
| | Touch-up Paint | | 71479 | |