



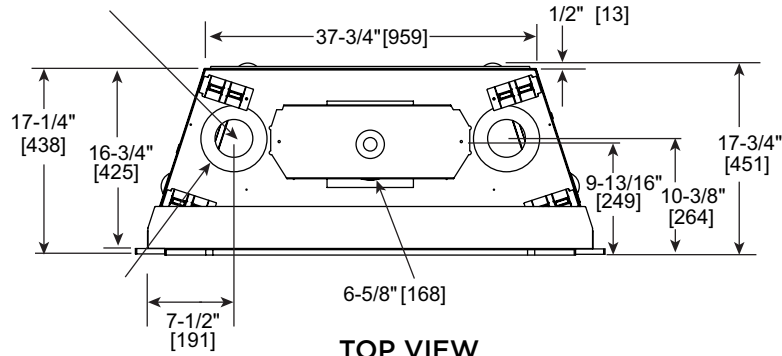
Please consult the manufacturer's installation manual for all details and requirements before making a final design layout decision.

# COSMO 42

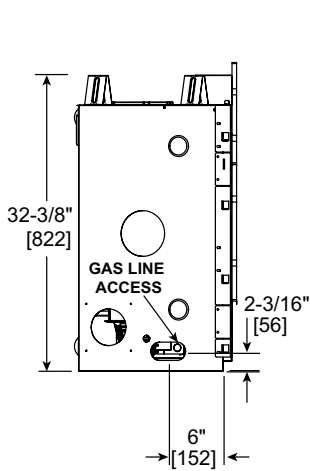
Direct Vent Gas Fireplace

MODEL	FRONT WIDTH		BACK WIDTH		HEIGHT		DEPTH		GLASS SIZE
	Actual	Framing	Actual	Framing	Actual	Framing	Actual	Framing	
COSMO42-IFT-B	48" [1219]	49" [1245]	37-3/4" [959]	49" [1245]	33-11/16" [856]	32-3/4" [832]	17-3/4" [451]	17-3/4" [451]	39-1/16" x 15-1/4" [992 x 387]

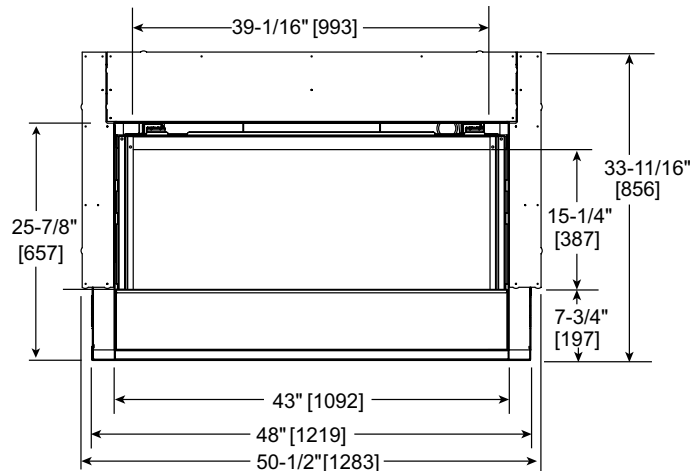
HEAT MANAGEMENT SYSTEMS ACCESS



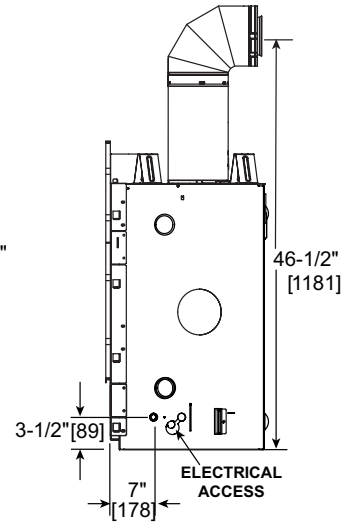
TOP VIEW



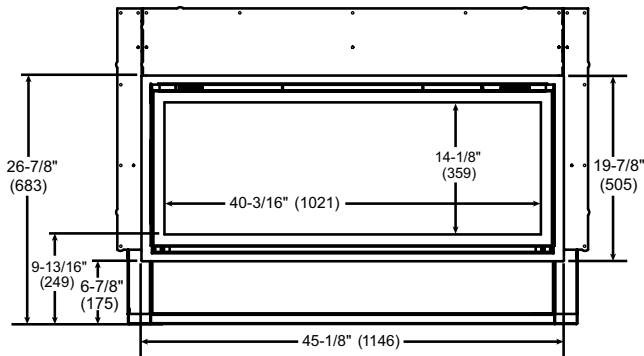
LEFT SIDE VIEW



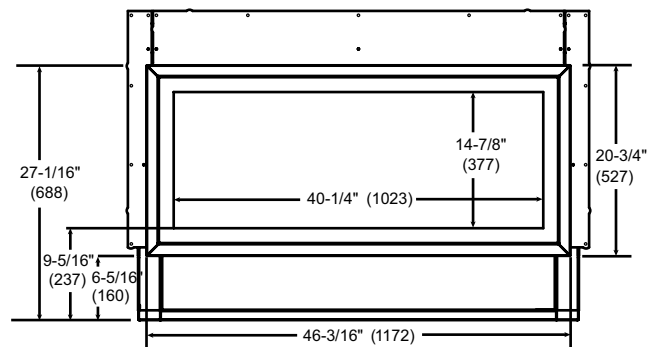
FRONT VIEW



RIGHT SIDE VIEW

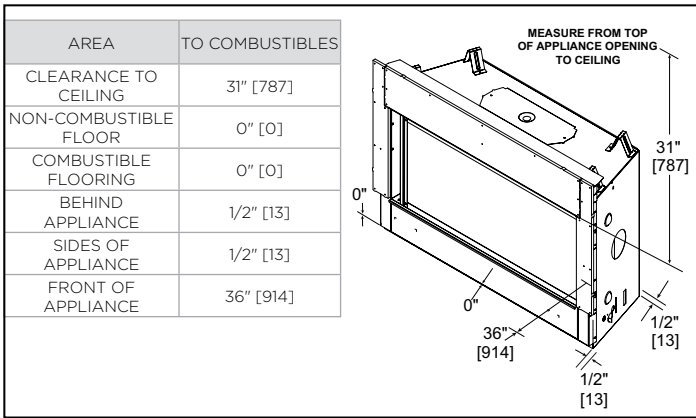


CLEAN FACE TRIM

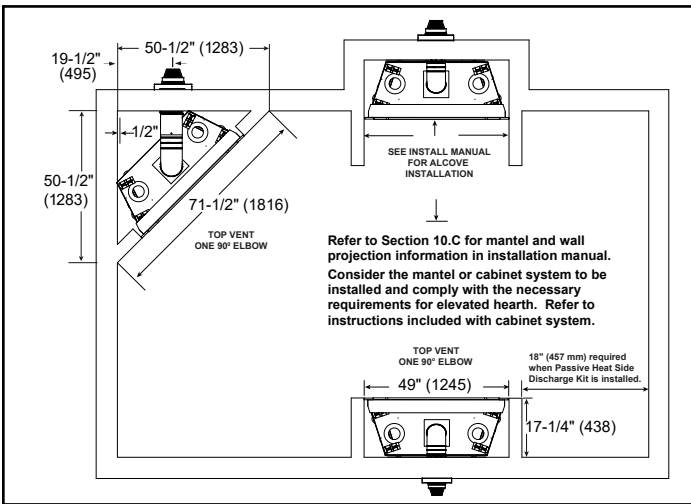


MARTINI FRONT

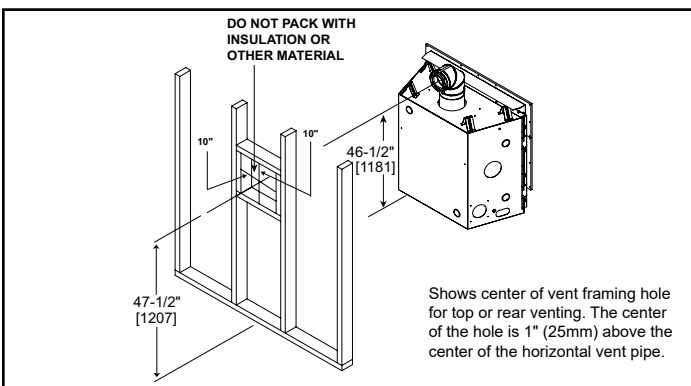
### MINIMUM FIREPLACE CLEARANCES / CLEARANCES TO COMBUSTIBLES



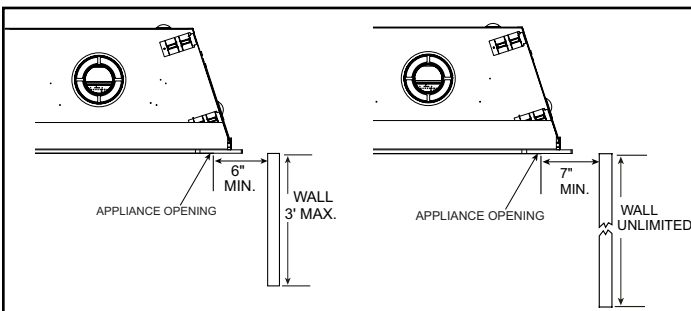
### APPLIANCE LOCATION



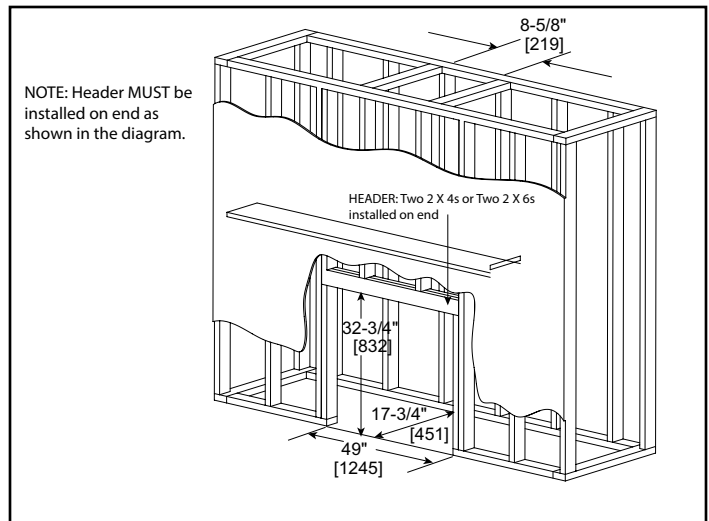
### WALL PENETRATION



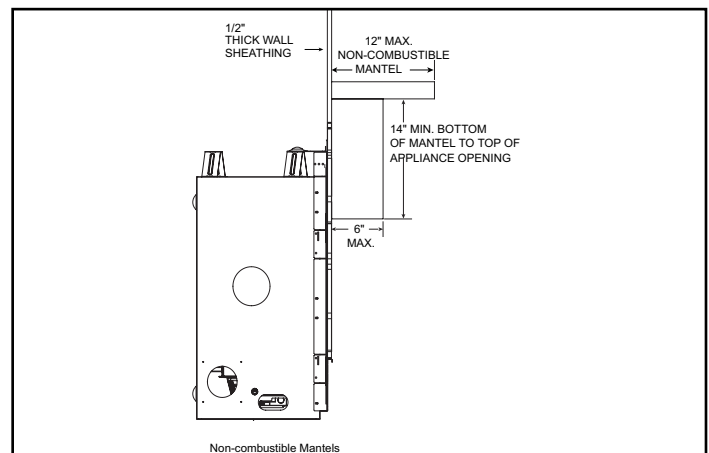
### MANTEL LEG/WALL PROJECTIONS (acceptable on both sides of appliance)



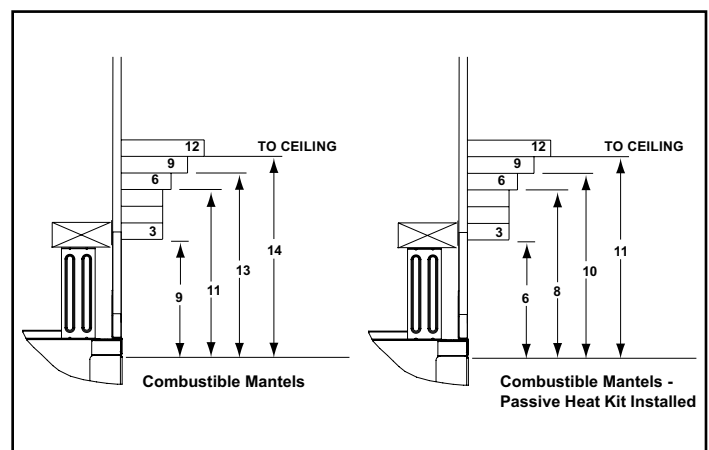
### MINIMUM FRAMING DIMENSIONS



### NON-COMBUSTIBLE MANTEL PROJECTIONS (or other materials above appliance)



### MANTEL PROJECTIONS (or other materials above appliance)



PRODUCT LISTING CODES	
US	ANSI Z21.88-2017
CAN	CSA 2.33-2017
US LISTED	UL307B

Product information provided is not complete and is subject to change without notice. Product installation must adhere strictly to instructions accompanying product to avoid risk of fire and potential injury.

Additional information can be found online at [www.heatnglo.com](http://www.heatnglo.com)