

IMPORTANT: THIS IS DATED INFORMATION. Parts must be ordered from a dealer or distributor. **Hearth and Home Technologies does not sell directly to consumers.** Provide model number and serial number when requesting service parts from your dealer or distributor.



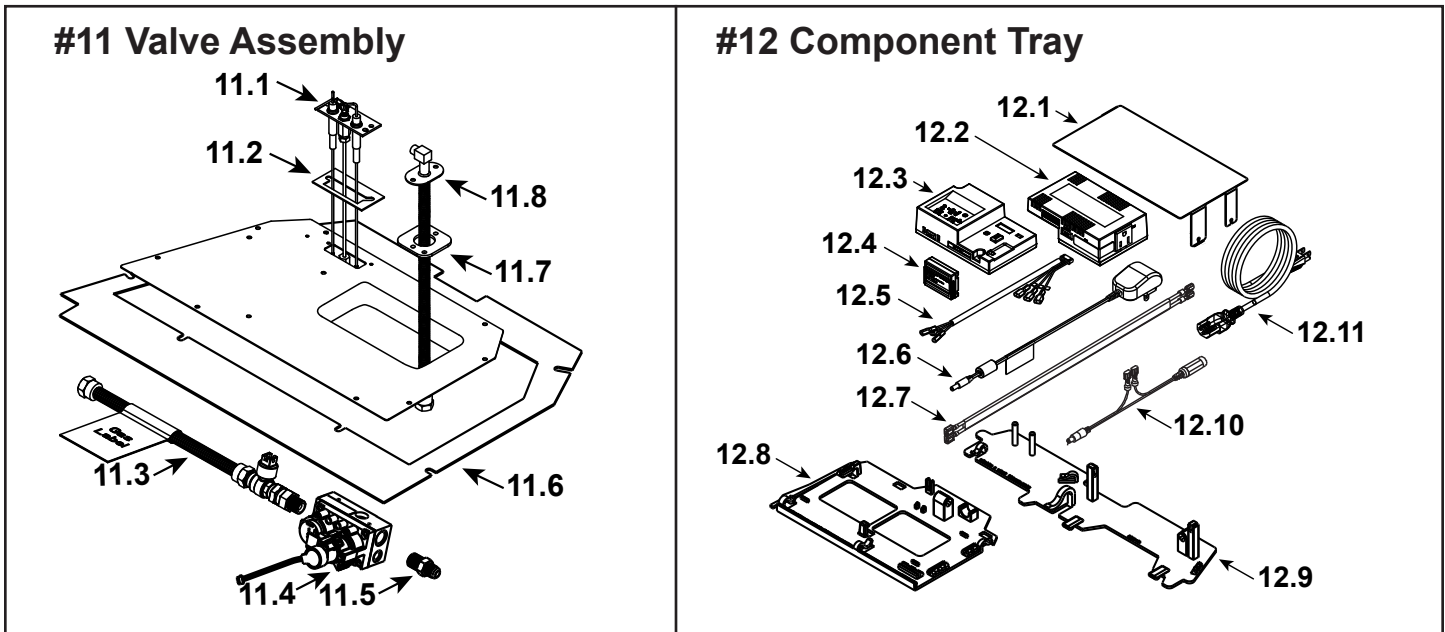
Stocked at Depot

ITEM	DESCRIPTION	COMMENTS	PART NUMBER	
1	Slide Plate Assembly		2532-014	
	Tool, Slide Plate (Multi-purpose)		2532-140	
	Gasket		2532-113	
2	Glass Clip Assembly, Top	Qty 2 req	2155-046	
3	Baffle, Firebox		2535-138	
4	Glass Clip Assembly, Bottom	Qty 2 req	2532-009	
5	Pilot Shield		2535-120	
6	Burner Assembly		2535-007	Y
7	Base Pan		2535-130	
8	Seal, Glass Frame		2532-122	
9	Glass Door Assembly		GLA-2532	Y
10	Power Cord		2201-024	Y
	Fan		GFK-160A	Y

No one builds a better fire

Beginning Manufacturing Date: March 2019

Ending Manufacturing Date: Active



IMPORTANT: THIS IS DATED INFORMATION. Parts must be ordered from a dealer or distributor. **Hearth and Home Technologies does not sell directly to consumers.** Provide model number and serial number when requesting service parts from your dealer or distributor.



Stocked at Depot

ITEM	DESCRIPTION	COMMENTS	PART NUMBER	Stocked at Depot
11.1	Pilot Assembly NG		2550-013	Y
	Pilot Assembly Propane		2550-014	Y
11.2	Pilot Gasket		2532-134	
11.3	Flex Ball Valve Assembly		2532-081	Y
11.4	Valve NG		2166-302	Y
	Valve Propane		2166-303	Y
11.5	Male Connector	Pkg of 5	303-315/5	Y
11.6	Gasket, Valve Plate		2532-131	
11.7	Gasket, Bulkhead		438-407	
11.8	Bulkhead w/Flex Tube		SRV7000-156	Y
	Orifice NG (#38C)		582-838	Y
	Orifice Propane (#.058)		SRV4021-602	Y
12.1	Component Heat Shield		2532-144	Y
12.2	Module, B Type AC		2326-150	Y
12.3	Module, IFT Control		SRV2326-130	Y
12.4	Module, RF FCC		2326-120	Y
12.5	Harness, IFT 6 Pin Wiring		SRV2326-132	Y
12.6	Transformer, 6 Volt Wall		SRV2326-131	Y
12.7	Jumper Wire, 36" Male/Female		2159-310	Y
12.8	Tray, Component		2532-170	Y
12.9	Wire Tray		2532-171	Y
12.10	Wall Switch Jumper Wire		SRV2179-300	Y
12.11	Cable, B Type AC Module		SRV2326-152	Y

Additional service part numbers appear on following page.

