

Caliber 36" Gas Fireplace - DV

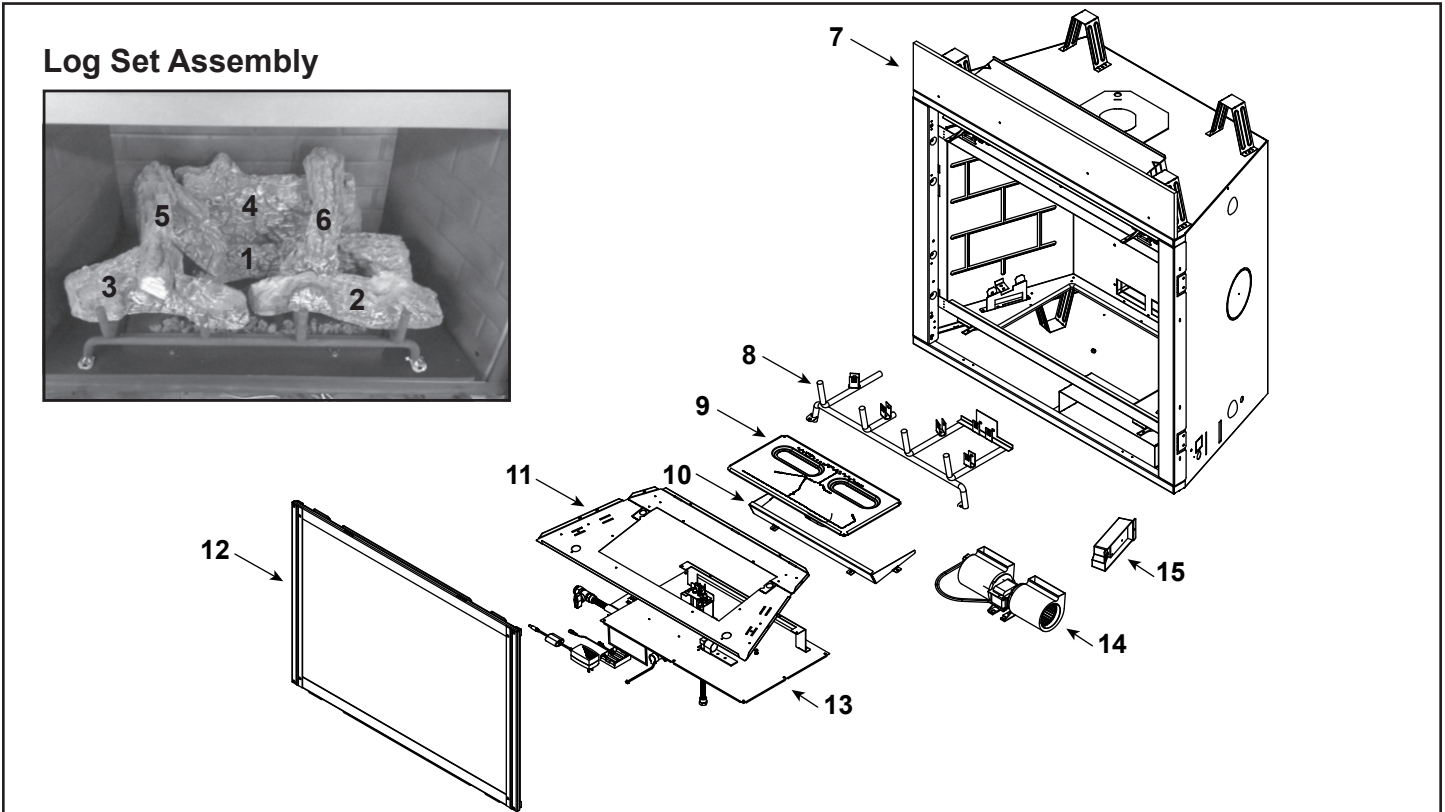
Beginning Manufacturing Date: Mar 2018

Ending Manufacturing Date: Active

CNXT4236IFTH(Herringbone) (Ending ManufacturingDate: March 2020)

CNXT4236IFTT(Traditional) (Active)

CNXT4236IFTSG(Steely Gray) (Active)



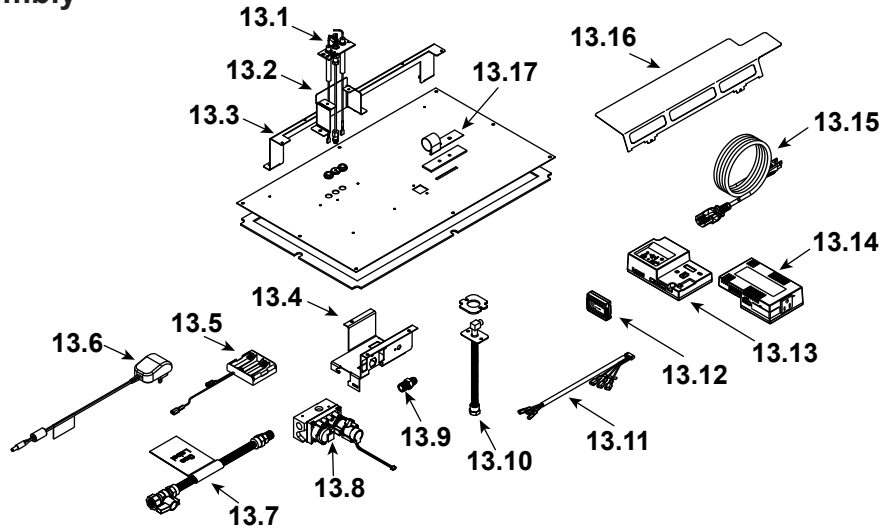
IMPORTANT: THIS IS DATED INFORMATION. Parts must be ordered from a dealer or distributor. **Hearth and Home Technologies does not sell directly to consumers.** Provide model number and serial number when requesting service parts from your dealer or distributor.



**Stocked at Depot**

ITEM	DESCRIPTION	COMMENTS	PART NUMBER	
	Log Assembly		LOGS-4236	Y
1	Log #1		SRV2208-702	
2	Log #2		SRV2208-703	
3	Log #3		SRV2208-704	
4	Log #4		SRV2208-073	
5	Log #5		SRV2208-705	
6	Log #6		SRV2208-706	
7	Insulation Board		2166-136	
8	Grate Assembly		2208-015	
9	Burner Pan Assembly		2208-007	Y
10	Burner Skirt		SRV2208-102-BK	
11	Base Pan		2360-100	
12	Glass Assembly		GLA-6GLX	Y
13	Valve Assembly	<b>Refer to valve page</b>		
14	Blower Assembly		GFK160B	
15	Junction Box (Plastic)		SRV4021-013	Y
	Surround Assembly		2166-019	

**#13 Valve Assembly**



IMPORTANT: THIS IS DATED INFORMATION. Parts must be ordered from a dealer or distributor. **Hearth and Home Technologies does not sell directly to consumers.** Provide model number and serial number when requesting service parts from your dealer or distributor.

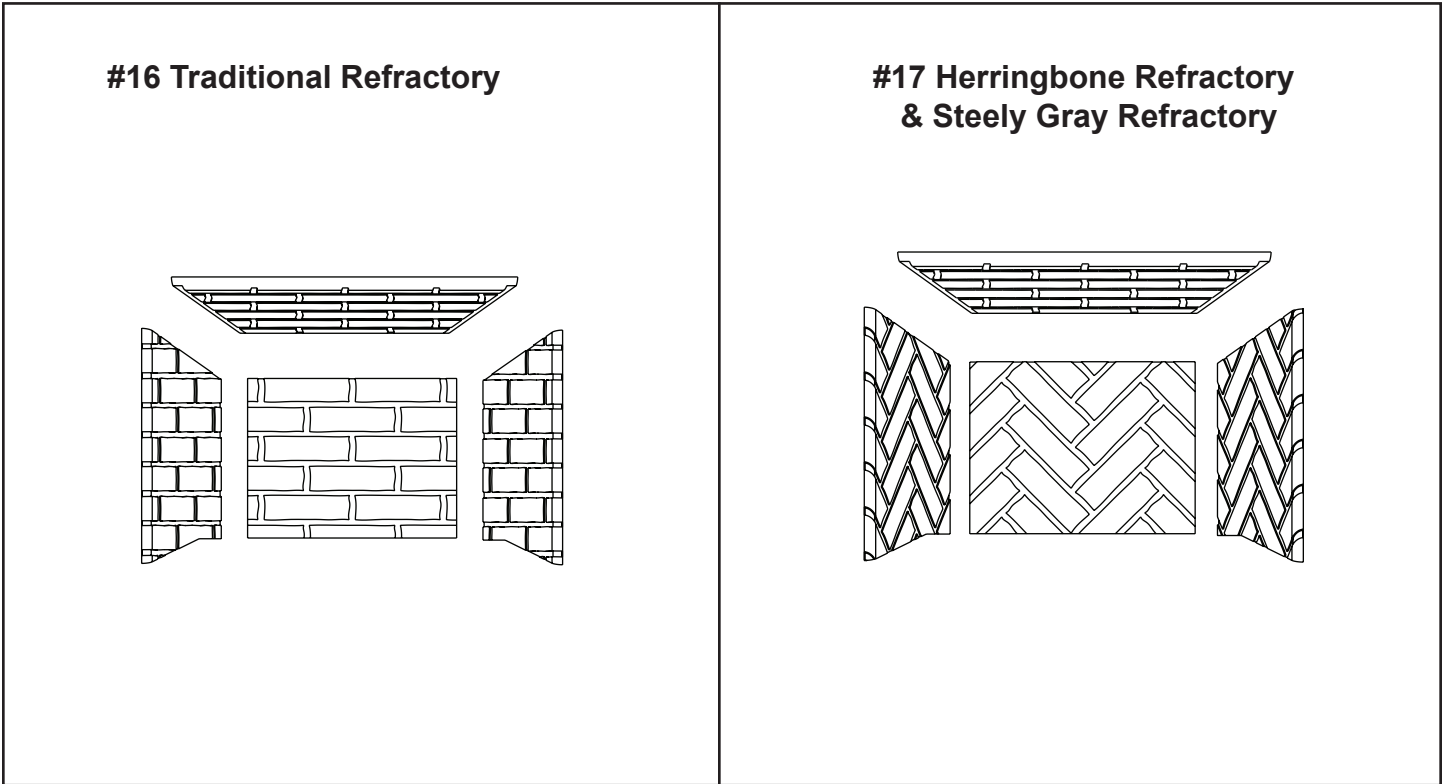


**Stocked at Depot**

ITEM	DESCRIPTION	COMMENTS	PART NUMBER	
13.1	Pilot Assembly - <b>NG</b>		2397-012	Y
	Pilot Assembly - <b>Propane</b>		2397-013	Y
	Pilot Tube		SRV485-301	Y
13.2	Pilot Bracket		2208-101	
13.3	Burner Leg		2208-106	
13.4	Valve Bracket		2118-104	
13.5	Battery Pack**		SRV2326-134	Y
13.6	Transformer, 6 Volt Wall		SRV2326-131	Y
13.7	Flex Ball Valve Assembly		SRV302-320	Y
13.8	Valve - <b>NG</b>		SRV2166-302	Y
	Valve - <b>Propane</b>		2166-303	Y
13.9	Male Connector	Pkg of 5	303-315/5	Y
13.10	Bulkhead w/flex		SRV7000-156	Y
13.11	Wire Harness, IFT 6 Pin		SRV2326-132	Y
13.12	Module, RF FCC		SRV2326-120	Y
13.13	Module, IFT Control		SRV2326-130	Y
13.14	Module, B Type AC		SRV2326-150	Y
13.15	Cable, B Type AC Module		SRV2326-152	Y
13.16	Heat Shield		2208-120	
13.17	Shutter Bracket Assembly		2118-121	Y
	Component Tray		2279-180	
	Orifice (.124) - <b>NG</b>		582-8124	Y
	Orifice (#50C) - <b>Propane</b>		582-850	Y

\*\*Fuse for battery pack can be sourced locally, not a warranty item. Specs are 250v, 3A fuse, 3/4" long

Additional service part numbers appear on following page.



IMPORTANT: THIS IS DATED INFORMATION. Parts must be ordered from a dealer or distributor. **Hearth and Home Technologies does not sell directly to consumers.** Provide model number and serial number when requesting service parts from your dealer or distributor.



**Stocked  
at Depot**

ITEM	DESCRIPTION	COMMENTS	PART NUMBER	
16	Refractory (Includes Top, Back, Left and Right Side)	<b>Traditional</b>	SRV2360-080	
17	Refractory (Includes Top, Back, Left and Right Side)	<b>Herringbone</b>	SRV2360-081	
		<b>Steely Gray</b>	BRICK-36CNXT-SG	
	Clips, Hood	Pkg of 24	047-805-24	<b>Y</b>
	Flue Restrictor		385-328	
	Gasket Assembly Includes: Burner Neck, Vent, Valve, LED, and Air Shutter Gaskets		2166-081	
	Glass Latch Assembly	Qty 4 req	2155-045	
	Lava Rock Bag Assembly		4040-094	
	Lava Rock		4021-297	
	Mineral Wool		SRV14333	
	Vermiculite (small)		28746	
	RC400 Remote		SRV2326-110	
	Conversion Kit NG		NGK-CNXT36	<b>Y</b>
	Conversion Kit Propane		LPK-CNXT36	
	Orifice, Pilot NG		SRV593-528	<b>Y</b>
	Orifice, Pilot Propane		SRV593-527	<b>Y</b>
	Regulator NG		NGK-DXV-50	<b>Y</b>
	Regulator Propane		SRVLPK-DXV-50	<b>Y</b>