

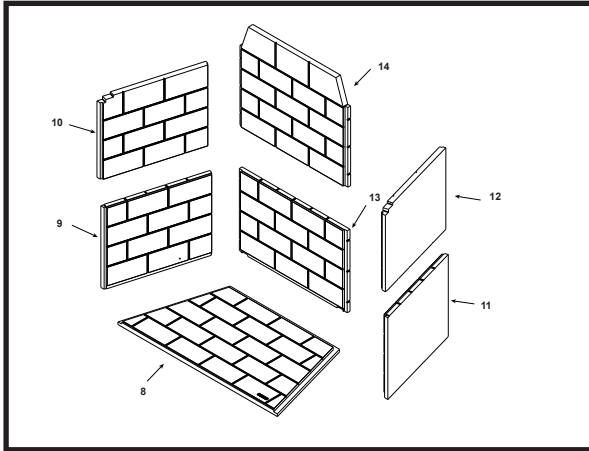
IMPORTANT: THIS IS DATED INFORMATION. When requesting service or replacement parts for your appliance please provide model number and serial number. All parts listed in this manual may be ordered from an authorized dealer.



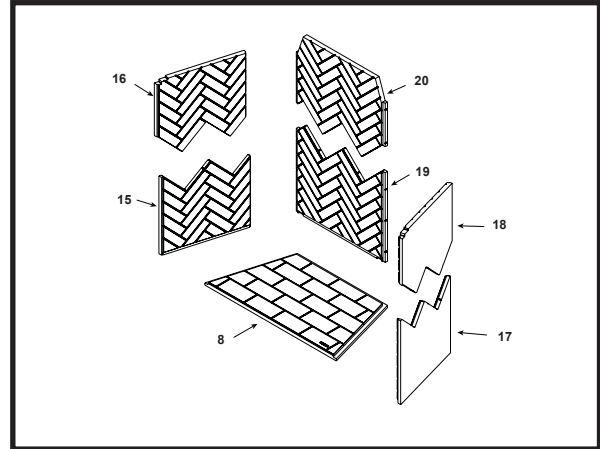
**Stocked  
at Depot**

| ITEM | DESCRIPTION                 | COMMENTS  | PART NUMBER |   |
|------|-----------------------------|-----------|-------------|---|
| 1    | Damper Blade Assembly       |           | 4059-030    |   |
| 2    | Damper Control              |           | 35159       |   |
| 3    | Outside Air Collar Assembly | Qty 2 req | 4059-037    |   |
| 4    | OA Door                     | Qty 2 req | 4059-049    |   |
| 5    | Screen Rod                  | Qty 2 req | 4059-313    | Y |
|      | Screen Rod Clips            | Qty 2 req | 4059-111    | Y |
| 6    | Firescreen Assembly         | Qty 2 req | 4059-029    | Y |
| 7    | Grate Assembly              |           | GR31        |   |
| 8    | Hearth Molded Brick Panel   |           | 4059-034    |   |
|      | Insect Guard Screening      |           | 14DCA-SCRN  |   |
|      | Mortar                      | 25 LB Box | 4059-316    |   |
|      | Spacing Clips, 1/2 in.      | Pkg of 30 | 14DCA-SPCRM |   |
|      | Outside Air Hood            | Qty 2 req | SRV4059-051 |   |
|      | Installation Manual         |           | 4059-332    |   |

**Traditional Molded Brick Panel**



**Herringbone Molded Brick Panel**



IMPORTANT: THIS IS DATED INFORMATION. When requesting service or replacement parts for your appliance please provide model number and serial number. All parts listed in this manual may be ordered from an authorized dealer.



**Stocked at Depot**

| ITEM                                  | DESCRIPTION  | COMMENTS | PART NUMBER |  |
|---------------------------------------|--|----------|-------------|--|
| <b>Traditional Molded Brick Panel</b> |  |          |             |  |
| 9                                     | Lower Left Panel   |          | 4059-350    |  |
| 10                                    | Upper Left Panel   |          | 4059-351    |  |
| 11                                    | Lower Right Panel  |          | 4059-352    |  |
| 12                                    | Upper Right Panel  |          | 4059-353    |  |
| 13                                    | Lower Rear Panel   |          | 4059-364    |  |
| 14                                    | Upper Rear Panel   |          | 4059-365    |  |
| <b>Herringbone Molded Brick Panel</b> |  |          |             |  |
| 15                                    | Lower Left Panel   |          | 4059-357    |  |
| 16                                    | Upper Left Panel   |          | 4059-358    |  |
| 17                                    | Lower Right Panel  |          | 4059-359    |  |
| 18                                    | Upper Right Panel  |          | 4059-360    |  |
| 19                                    | Lower Rear Panel   |          | 4059-368    |  |
| 20                                    | Upper Rear Panel   |          | 4059-369    |  |
|                                       | Refractory Fastener Pack   |          | 4059-043    |  |
|                                       | Contains: 25 #6 X 1 1/2" Panhead screw, 3/32" Drill Bit, 17 T- Brackets, 2 Y-Brackets, 6 Clips |          |             |  |