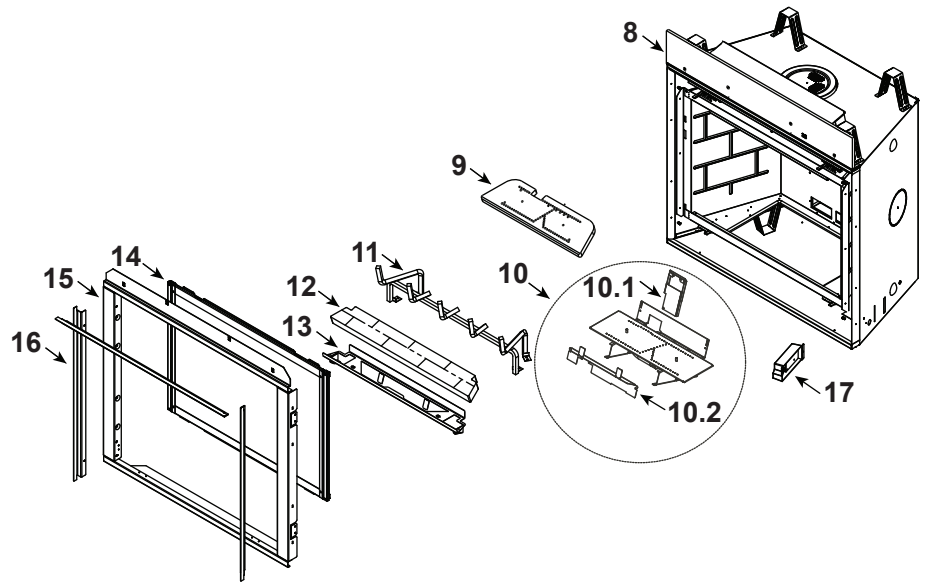


Log Set Assembly



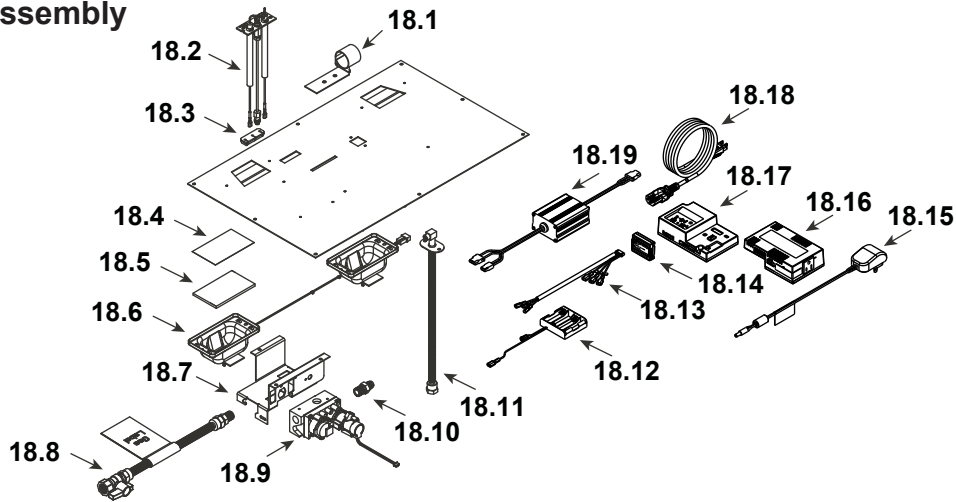
IMPORTANT: THIS IS DATED INFORMATION. Parts must be ordered from a dealer or distributor. **Hearth and Home Technologies does not sell directly to consumers.** Provide model number and serial number when requesting service parts from your dealer or distributor.



Stocked at Depot

ITEM	DESCRIPTION	COMMENTS	PART NUMBER	
	Log Assembly		LOGS-8CL	Y
1	Log #1		SRV2168-701	
2	Log #2		SRV2168-702	
3	Log #3		SRV2168-703	
4	Log #4		SRV2168-704	
5	Log #5		SRV2168-705	
6	Log #6		SRV2168-706	
7	Log #7		SRV2165-707	
8	Non-combustible board		2170-136	
9	Burner Top		SRV2170-100	Y
10	Burner Assembly NG		2169-007	Y
	Burner Assembly Propane		2168-008	Y
10.1	Air Scoop		2170-188	
10.2	Pilot Cover		2170-181	
11	Grate Assembly		2170-104	
12	Refractory Base	Black	SRV8BASE-BK	
		Stratford	SRV8BASE-STRAT	
13	Base Refractory Basket		2170-108	
14	Glass Assembly		GLA-8CLX	Y
15	Surround		2170-019	
16	Finishing Strips (Sold as set only)		SRVFS-8	
17	Junction box		SRV4021-013	Y

#18 Valve Assembly



IMPORTANT: THIS IS DATED INFORMATION. Parts must be ordered from a dealer or distributor. **Hearth and Home Technologies does not sell directly to consumers.** Provide model number and serial number when requesting service parts from your dealer or distributor.



Stocked at Depot

ITEM	DESCRIPTION	COMMENTS	PART NUMBER	
18.1	Shutter Bracket Assembly		2166-157	Y
18.2	Pilot Assembly, NG		2166-370	Y
	Pilot Assembly, Propane		2166-371	Y
	Pilot Tube		SRV485-301	Y
18.3	3-Hole Grommet		SRV2118-420	
18.4	Kapton Lens (Only for the -S)	Qty 2 req	2166-171	Y
18.5	Glass, 1/4 " (Only for the -S)	Qty 2 req	2166-163	Y
18.6	2-Gang LED Assembly (Only for the -S)		2166-316	Y
18.7	Valve Bracket		2118-104	
18.8	Flex Ball Valve Assembly		SRV302-320	Y
18.9	Valve, NG		SRV2166-302	Y
	Valve, Propane		2166-303	Y
18.10	Male Connector	Pkg of 5	303-315/5	Y
18.11	Bulkhead W/Flex tube		SRV7000-156	Y
18.12	Battery Pack**		SRV2326-134	Y
18.13	Harness, IFT 6 Pin Wiring		SRV2326-132	Y
18.14	Module, RF FCC		SRV2326-120	Y
18.15	Transformer, 6 Volt Wall		SRV2326-131	Y
18.16	Module, B Type AC		SRV2326-150	Y
18.17	Module, IFT Control		SRV2326-130	Y
18.18	Cable, B Type AC Module		SRV2326-152	Y
18.19	LED Controller, (Only for the -S)		2166-336	Y
	Component Tray		2279-180	
	Orifice, NG #31C		SRV582-831	Y
	Orifice, Propane #49C		SRV582-849	Y

**Fuse for battery pack can be sourced locally, not a warranty item. Specs are 250v, 3A fuse, 3/4" long

Additional service part numbers on following page.

