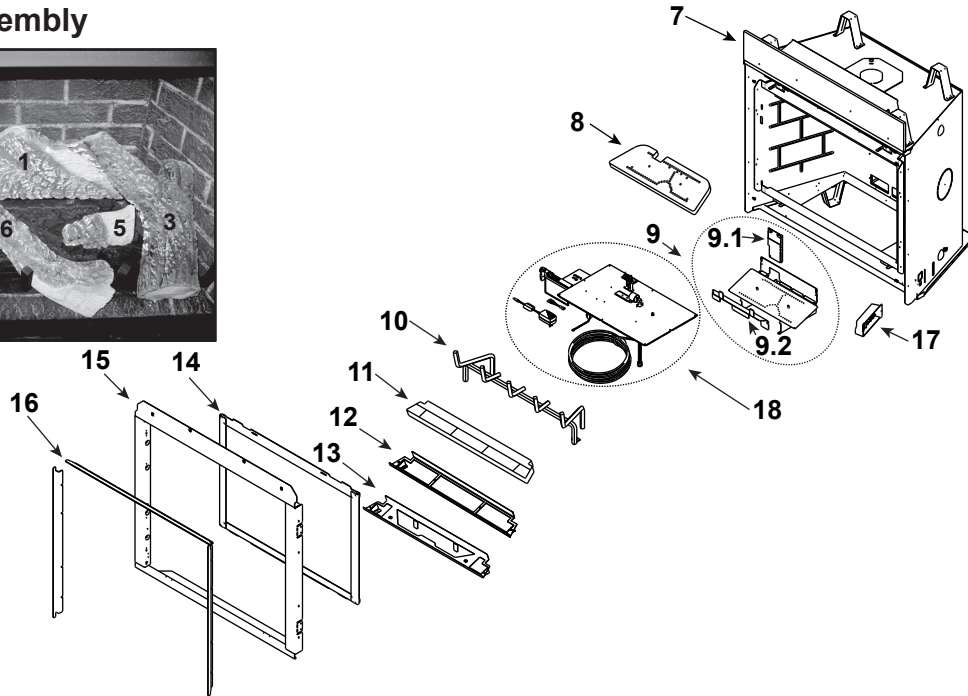


### Log Set Assembly



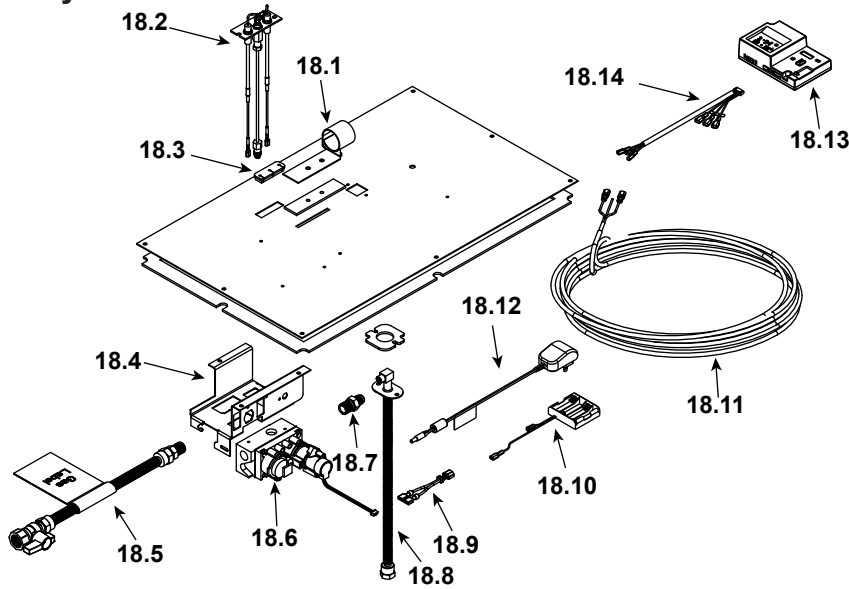
**IMPORTANT: THIS IS DATED INFORMATION.** Parts must be ordered from a dealer or distributor. **Hearth and Home Technologies does not sell directly to consumers.** Provide model number and serial number when requesting service parts from your dealer or distributor.



**Stocked at Depot**

ITEM	DESCRIPTION	COMMENTS	PART NUMBER	Stocked at Depot
	Log Set Assembly		LOGS-6C	Y
1	Log 1		SRV2164-701	
2	Log 2		SRV2164-702	
3	Log 3		SRV2164-703	
4	Log 4		SRV2164-704	
5	Log 5		SRV2164-705	
6	Log 6		SRV2164-706	
7	Insulation Board		2166-136	
8	Burner Top		SRV2166-100	Y
9	Burner NG		2164-007	Y
	Burner Propane		2164-008	Y
9.1	Air Scoop		2170-188	
9.2	Pilot Cover		2170-181	
10	Log Grate		2166-104	
11	Base Refractory		SRV6BASE-STRAT	
12	Air Baffle		2164-144	
13	Refractory Basket		2166-108	
14	Glass Door Assembly		GLA-6000G	Y
15	Surround Assembly		2166-019	
16	Finishing Strips (Sold as kit only)		SRVFS-6	
17	Junction Box		SRV4021-013	Y

### #18 Valve Assembly



IMPORTANT: THIS IS DATED INFORMATION. Parts must be ordered from a dealer or distributor. **Hearth and Home Technologies does not sell directly to consumers.** Provide model number and serial number when requesting service parts from your dealer or distributor.



Stocked at Depot

ITEM	DESCRIPTION	COMMENTS	PART NUMBER	Stocked at Depot
18.1	Shutter Bracket Assembly		2166-157	Y
18.2	Pilot Assembly NG		2166-370	Y
	Pilot Assembly Propane		2166-371	Y
	Pilot Tube		SRV485-301	Y
18.3	3-hole Grommet		SRV2118-420	
18.4	Valve Bracket		2118-104	
18.5	Flex Ball Valve Assembly		SRV302-320	Y
18.6	Valve NG		SRV2166-302	Y
	Valve Propane		2166-303	Y
18.7	Male Connector	Pkg of 5	303-315/5	Y
18.8	Bulkhead W/Tube		SRV7000-156	Y
18.9	Jumper Wire		SRV2187-198	Y
18.10	Battery Pack**		SRV2326-134	Y
18.11	Wall Switch Wire Assembly		SRV2118-170	Y
18.12	Transformer		SRV2326-131	Y
18.13	Module, IFT Control		SRV2326-130	Y
18.14	Wire Harness, IFT 6 Pin		SRV2326-132	Y
	Burner Orifice NG (#37C)		582-837	Y
	Burner Orifice Propane (#50C)		582-850	Y

\*\*Fuse for battery pack can be sourced locally, not a warranty item. Specs are 250v, 3A fuse, 3/4" long

Additional service part numbers appear on following page.

