

Part number list on following page.

Beginning Manufacturing Date: Jan 2020  
Ending Manufacturing Date: Active

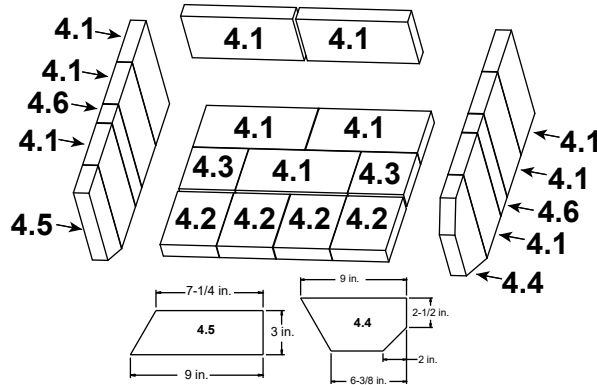
IMPORTANT: THIS IS DATED INFORMATION. Parts must be ordered from a dealer or distributor. **Hearth and Home Technologies does not sell directly to consumers.** Provide model number and serial number when requesting service parts from your dealer or distributor.



**Stocked at Depot**

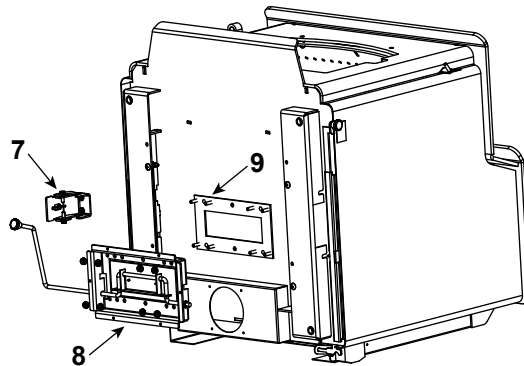
ITEM	DESCRIPTION	COMMENTS	PART NUMBER
1	Air Supply Back		SRV7033-134
2	Air Channel, Convection w/Bracket - <b>Retain original serial # label</b>		SRV7033-144
3	Panel Assembly, Side, Left		7037-011

### #4 Brick Assembly Set



4	Brick Assembly, Complete Set	Pkg of 20	SRV7037-012
4.1	Brick, 9 x 4.5 x 1.25"	Qty. 11 Reg.	832-0550
4.2	Brick, 6 x 4.5 x 1.25"	Qty. 4 Reg.	SRV7128-002
4.3	Brick, 4.5 x 4.5 x 1.25"	Qty. 2 Reg.	SRV7128-001
4.4	Brick, 9 x 4.5 x 1.25" with angle	Qty. 1 Reg.	SRV7128-806
4.5	Brick, 9 x 3 x 1.25" with angle	Qty. 1 Reg.	SRV7128-618
4.6	Brick, small 9 x 2 x 1.25"	Qty. 2 Reg.	SRV7128-018
	Brick, Uncut (9 x 4.5 x 1.25")	Pkg of 6	832-3040

### ARS Cast Components



	ARS Cast Components (Includes Access Cover, Handle, & Channel)		SRV7037-038	
5	ARS Access Cover		SRV7038-196	Y
6	ARS Channel		SRV7061-184	Y
7	ARS Latch Assembly		SRV7062-034	Y
8	ARS Door Assembly		SRV7060-048	Y
9	ARS Gasket		SRV7033-296	Y
	Handle, Access Cover		SRV7038-197	

Additional service part numbers appear on following page.

Beginning Manufacturing Date: Jan 2020  
Ending Manufacturing Date: Active

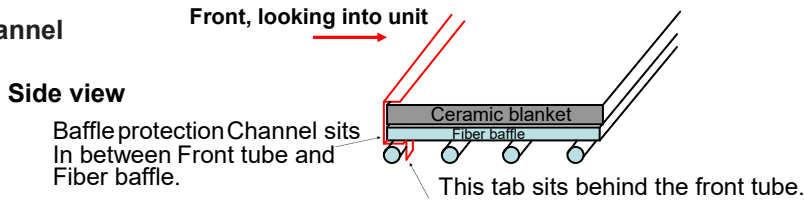
IMPORTANT: THIS IS DATED INFORMATION. Parts must be ordered from a dealer or distributor. **Hearth and Home Technologies does not sell directly to consumers.** Provide model number and serial number when requesting service parts from your dealer or distributor.



**Stocked at Depot**

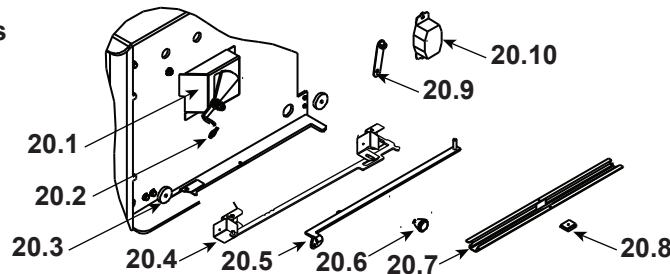
ITEM	DESCRIPTION	COMMENTS	PART NUMBER	
10	Rear Channel Assembly		7033-002	Y
11	Tube Support Rack		7033-148	
12	Brick Retainer		7033-149	
13	Ceramic Fiber Blanket, 1/2 " Thick		832-3390	Y
14	Baffle Board - 9-1/2" W x 15-3/4" H	Qty: 2	SRV7037-112	Y

### Baffle Protection Channel



	Baffle Protection Channel		SRV7033-298	
15	Heat Shield		SRV7037-169	
	Label, Burn Rate		SRV7033-160	
16	Label, Start-Up, Acc		SRV7033-166	
17	Panel Assembly, Side, Right		7037-010	
18	Tube Channel Top - Access Cover		SRV7033-237	
19	Tube, Channel Assembly	Manifold Tubes	SRV7033-023	Y
	Gasket, Manifold	Pkg of 4	7038-168/4	Y

### #20 Burn Rate Controls & Associated Parts



20.1	Burn Rate Control Assembly		7037-004	Y
20.2	Spring Handle, 1/4"	Nickel	250-8340	Y
20.3	Door Gasket - Front & Rear Air Timer Doors		7033-282	Y
20.4	Timer Air Control Assembly		SRV7037-018	Y
	Rear Air Door Assembly		7037-013	Y
20.5	Rear Air Control Arm Assembly		7037-005	Y
20.6	Knob - Start-Up Control Knob		SRV7000-343	
20.7	Air Control Rod Guide		7033-210	
20.8	Latch, Magnet - For Air Control		SRV229-0631	
20.9	Timer Arm Assembly		7033-034	Y
20.10	Timer (Only) Replacement Assembly		SRV480-1940	Y

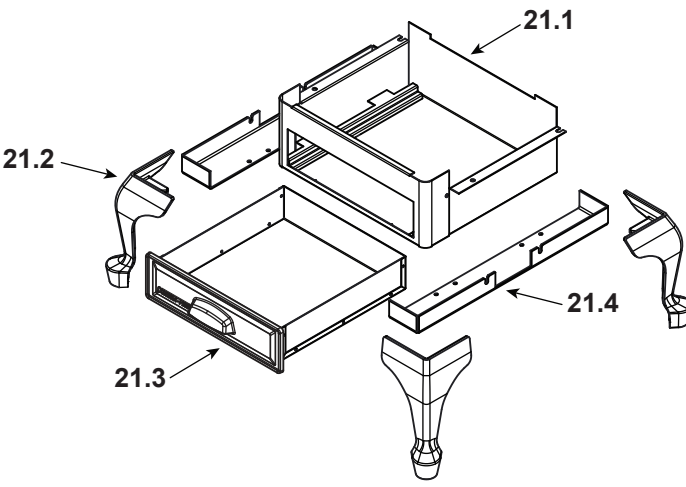
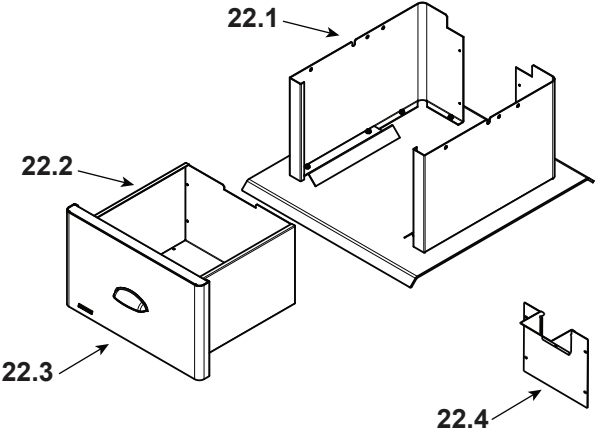
Additional service part numbers appear on following page.

Beginning Manufacturing Date: Jan 2020  
Ending Manufacturing Date: Active

IMPORTANT: THIS IS DATED INFORMATION. Parts must be ordered from a dealer or distributor. **Hearth and Home Technologies does not sell directly to consumers.** Provide model number and serial number when requesting service parts from your dealer or distributor.



**Stocked  
at Depot**

ITEM	DESCRIPTION	COMMENTS	PART NUMBER	
<div style="display: flex; justify-content: space-around;"> <div style="text-align: center;"> <p><b>#21 Leg &amp; Ash Pan Pedestal Assembly</b></p>  </div> <div style="text-align: center;"> <p><b>#22 Pedestal Assembly</b></p>  </div> </div>				
21	Leg Kit & Ash Removal System(Required to Complete Option)	Black	LEG-KIT-BK	
		Nickel	LEG-KIT-NL	
21.1	Ash Pan Assembly		7033-008	
21.2	Legs, Queen Anne	Black	831-1240	
		Nickel	LEGS-QANL	
21.3	Ash Pan Leg (ARS - Ash Pan Removal System)		SRV7033-050	
21.4	Leg Mount Kit		SRV7037-132	
	Component Pack, Leg Step Top (Includes Gasket For Ash Removal & Fasteners)		7033-048	
22	Pedestal Kit (Required to Complete Option)		PED-KIT-43	
22.1	Pedestal Assembly		7033-013	
22.2	Ash Pan Assembly		7033-010	
22.3	Ash Pan Door Handle		SRV7033-274	
22.4	Outside Air Cover Plate Assembly		SRV7033-041	<b>Y</b>
	Component Pack, Pedestal, Leg Step Top (Includes Gasket For Ash Removal & Fasteners)		7038-048	

Additional service part numbers appear on following page.

Beginning Manufacturing Date: Jan 2020  
Ending Manufacturing Date: Active

IMPORTANT: THIS IS DATED INFORMATION. Parts must be ordered from a dealer or distributor. **Hearth and Home Technologies does not sell directly to consumers.** Provide model number and serial number when requesting service parts from your dealer or distributor.



Stocked at Depot

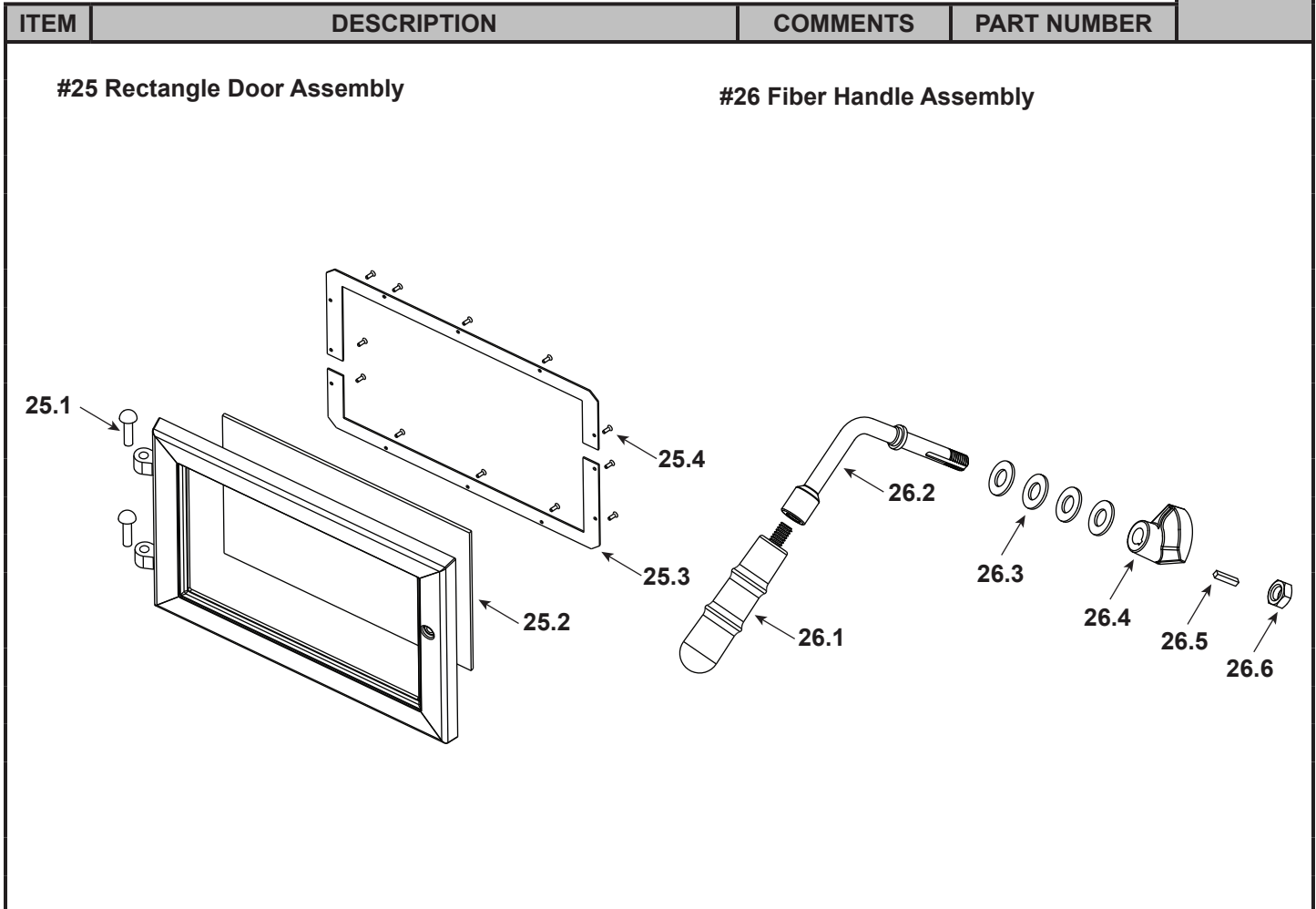
ITEM	DESCRIPTION	COMMENTS	PART NUMBER	
<b>#23 Arch Door Assembly</b>		<b>#24 Fiber Handle Assembly</b>		
23	Door Assembly (Required to Complete Option)	Black	DR-31/43BK-FH	Y
		Nickel	DR-31/43NL-FH	Y
23.1	Hinge Pins, 1/2"	Black	7000-606/2	Y
		Nickel	SRV430-5320	
23.2	Rope, Door, 3/4" x 84" - Field cut to Size	7 Ft Length	832-1680	Y
23.3	Door Glass Assembly - 15-1/2" W x 13-3/8" H		7000-012	Y
	Gasket, Glass Tape - Field cut to Size	5 Ft Length	832-0460	Y
23.4	Glass Frame Set		832-0350	
23.5	Screw, Flat Head Philips 8-32 x 1/2	Pkg of 12	220-0490/12	Y
24	Door Handle Assembly		SRV7033-071	Y
24.1	Handle, Fiber		SRV7060-212	
24.2	Door Handle		SRV7044-188	Y
24.3	Washer, SAE, 3/8	Pkg of 3	832-0990	Y
24.4	Cam Latch		SRV430-1141	
24.5	Key, Cam Latch		SRV430-1151	
24.6	Nut, Locking Door Handle	Pkg of 24	226-0100/24	Y

Additional service part numbers appear on following page.

IMPORTANT: THIS IS DATED INFORMATION. Parts must be ordered from a dealer or distributor. **Hearth and Home Technologies does not sell directly to consumers.** Provide model number and serial number when requesting service parts from your dealer or distributor.



Stocked at Depot



25	Door Assembly (Required to Complete Option)		DR-31RCT	Y
25.1	Hinge Pins, 1/2"	Black	7000-606/2	Y
25.2	Glass Assembly		SRV7044-027	Y
	Gasket, Glass Tape - Field cut to Size	5 Ft Length	832-0460	Y
25.3	Glass Frame Set	Qty of 2	SRV7044-191	
25.4	Screw, Flat Head Philips 8-32 x 1/2	Pkg of 12	220-0490/12	Y
26	Door Handle Assembly		SRV7044-041	Y
26.1	Handle, Fiber		SRV433-1380	Y
26.2	Door Handle		SRV7044-188	Y
26.3	Washer, SAE, 3/8	Pkg of 3	832-0990	Y
26.4	Cam Latch		SRV430-1141	
26.5	Key, Cam Latch		SRV430-1151	
26.6	Nut, Locking Door Handle	Pkg of 24	226-0100/24	Y

Additional service part numbers appear on following page.

Beginning Manufacturing Date: Jan 2020  
Ending Manufacturing Date: Active

IMPORTANT: THIS IS DATED INFORMATION. Parts must be ordered from a dealer or distributor. **Hearth and Home Technologies does not sell directly to consumers.** Provide model number and serial number when requesting service parts from your dealer or distributor.



Stocked  
at Depot

ITEM	DESCRIPTION	COMMENTS	PART NUMBER	
	Component Pack (Includes Touch-Up Paint, Owners Manual, Installation Manual, & Access Cover Handle)		SRV7037-047	
	Paint Touch-Up		3-42-19905	
	Handle, Access Cover		SRV7038-197	
Accessories				
	Outside Air Kit, Floor & Rear		OAK-ACC	
	Outside Air Collar Assembly		7033-039	
	Outside Air Shield		SRV33271	Y
	Blower Assembly		BK-ACC	
	Blower, Convection - Replacement Blower		812-4900	Y
	Blower Control Box W/Switch		SRV7000-194	Y
	Snap Disc Bracket Assembly		SRV7033-036	
	Snap Disc, # 1, Convection Blower		SRV230-0470	Y
	Wire Harness (Blower)		7033-262	
	Component Pack		7033-051	
	Upgrade, Door (Nickel Handles, Hinge Pins & Logo)	Nickel	UK-DRNL	
	Logo, Quadra-Fire	Pkg of 10	7000-649/10	
	Cast Legs, Black	Set of 4	TRAD-LEG-BK	
FASTENERS				
	Avk Rivnut Repair Kit - 1/4-20 & 3/8-16 Rivnut Tools		RIVNUT-REPAIR	Y
	Bolt, Hex Head, 1/4-20 X 1	Pkg of 10	25221A/10	Y
	Button Head 1/4-20 X .5	Pkg of 20	32328/20	Y
	Nut, 2-Wy Side-Lock Jam 3	Pkg of 24	226-0100/24	Y
	Nut, Keps Lock, 10-32	Pkg of 40	226-0050/40	Y
	Nut, Keps Lock, 8-32	Pkg of 40	226-0060/40	Y
	Nut, Ser Flange Small 1/4-20	Pkg of 24	226-0130/24	Y
	Screw, Bh, 1/4-20 X 1.25	Pkg of 24	225-0630/24	Y
	Screw, Pan Head Philips 8-32 X 3/4	Pkg of 24	229-1100/24	Y
	Screw, Pan Head Philips Tc 8-32X1/2	Pkg of 25	220-0030/25	Y
	Screw, Sheet Metal #8 X 1/2 S-Grip	Pkg of 40	12460/40	Y
	Screw, Flat Head Philips 8-32 x 1/2	Pkg of 12	220-0490/12	Y
	Washer, Sae, 3/8	Pkg of 3 ea.	832-0990	Y
	Washer, 1/4 Sae	Pkg of 24	28758/24	Y