

HEAT-ZONE-PRIMO

MODELS: PRIMO48, PRIMO48ST, PRIMO60, PRIMO60ST, PRIMO72, PRIMO72ST *Installation Instructions*



Leave this manual with party responsible for use and operation.

CAUTION! Risk of Cuts, Abrasions or Flying Debris. Wear protective gloves and safety glasses during installation. Sheet metal edges are sharp.

This appliance comes standard with patented SafeSurface™ Glass which keeps the surface temperature of the barrier glass at a safe level and will still be hot to the touch when operated for long periods of time.

If the barrier glass is removed, the inner glass temperature will be very hot and cause burns.



HOT GLASS WILL CAUSE BURNS.

DO NOT TOUCH GLASS UNTIL COOLED.

NEVER ALLOW CHILDREN TO TOUCH GLASS.

A barrier designed to reduce the risk of burns from the hot viewing glass is provided with this appliance and must be installed for the protection of children and other at-risk individuals.

WARNING! Risk of Fire! Combustible materials **MUST NOT** overlap or be placed behind a decorative front.

CAUTION! Do not install damaged components.

WARNING! Risk of Fire! DO NOT apply combustible materials beyond the minimum clearances. Comply with all minimum clearances to combustibles as specified in appliance installation manual.

HEAT-ZONE-PRIMO

WARNING! Risk of Fire! Either the HEAT-ZONE-PRIMO or the HEAT-OUT-PRIMO PowerFlow™ Heat Management System must remain ON during operation of the appliance. Overheating will occur. Appliance will shut down.

Introduction

The HEAT-ZONE-PRIMO PowerFlow™ Heat Management System conveys warm air from the fireplace through air ducts to remote locations in the same room or other rooms in the building. Two HEAT-ZONE-PRIMO's must be installed with the PRIMO appliance or the appliance will overheat. Two HEAT-ZONE-PRIMO's are included in the kit.

Note: A minimum clearance of 18 inches to any combustible materials or combustible surfaces such as room furnishings, furniture, curtains, etc., is required from the fan housing air outlet. Plan for this clearance prior to installation of the Heat-Zone-Primo kit. See Figure 6 and Figure 7.

Approvals

The flexible duct used with the HEAT-ZONE-PRIMO is manufactured and marked to the requirements of UL-181, Class I air duct.

Operation

The HEAT-ZONE-PRIMO PowerFlow™ Heat Management System is powered by a thermo switch. The system will turn on approximately 10 minutes after the appliance is turned on. The HEAT-ZONE-PRIMO accessory is tested and safe when installed in accordance with this installation manual. It is your responsibility to read all instructions before starting installation and to follow these instructions carefully during installation.

Installation of this kit **MUST** be performed by a qualified service technician.

The HEAT-ZONE-PRIMO is carefully engineered and must be installed only as specified. If you modify it or any of its components you will void the warranty, and you may possibly cause a fire hazard. Installation must be done according to applicable local, state, provincial, and/or national codes.

Possible Air Duct Runs/Locations

Maximum Duct Run Total Length: 25 FT. Each
Minimum Duct Run Total Length: 36 IN. Each
Clearance to flexible duct = 0

WARNING! Risk of Fire! DO NOT block vents.
Overheating will occur. Appliance will shut down.

WARNING! Risk of Overheating! Both HEAT-ZONE-PRIMO's must be installed and operational. Overheating will occur. Appliance will shut down.

***Note:** Install sufficient strapping to support flex duct.

***MUST** maintain a minimum clearance of 18 inches from the fan air outlet housing to any combustible surfaces or combustible materials, such as room furnishings, furniture, curtains, etc.

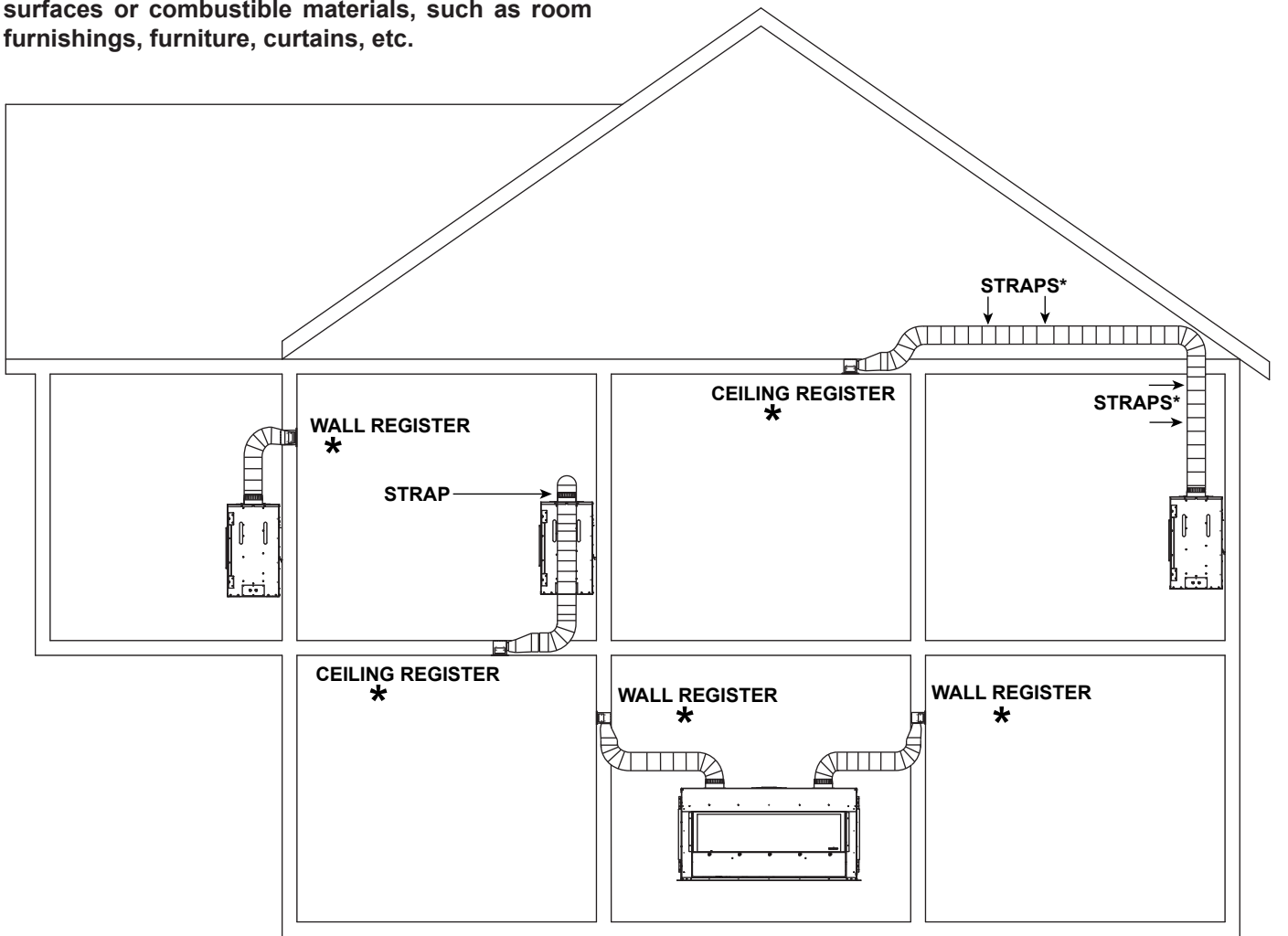


Figure 1. HEAT-ZONE-PRIMO Locations

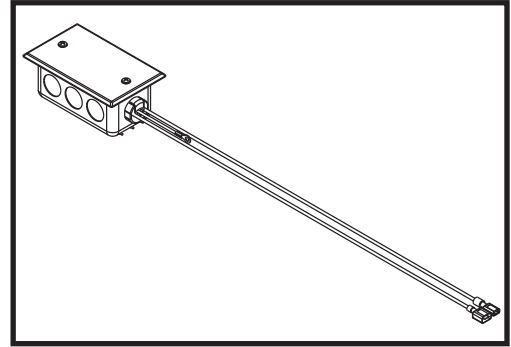
Preliminary Preparation

Contents of HEAT-ZONE-PRIMO

CAUTION! Do not install damaged components.

If any parts are missing or damaged, contact your dealer before starting installation. **DO NOT** install a damaged kit.

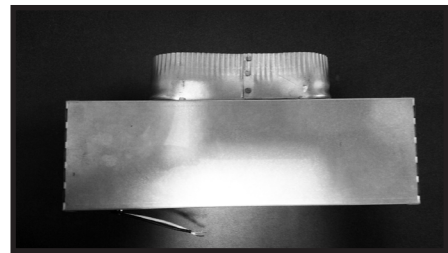
DESCRIPTION	SERVICE PART NO.	QTY
6 in. Round Duct	659-200	2
Fan Housing Assembly	659-001A	2
Junction Box	659-122	2
Air Register	659-150	2
Register Adaptor Frame	695-125	2
Duct Adaptor (Round to Oval)	659-129	2
Gear Clamp: Large	662-803	4
Rheostat Assembly, 105 VAC	2326-216	1



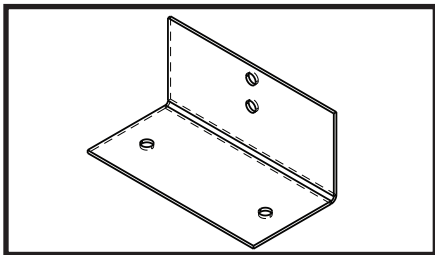
2326-216 RHEOSTAT ASSEMBLY, 105 VAC



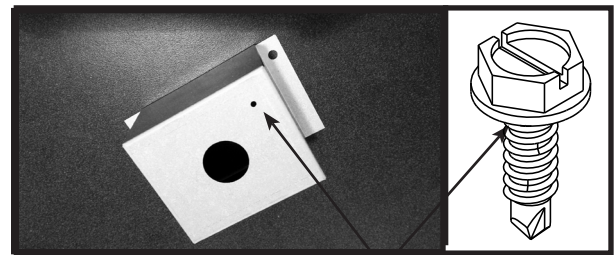
659-200 6 INCH ROUND DUCT



659-001A



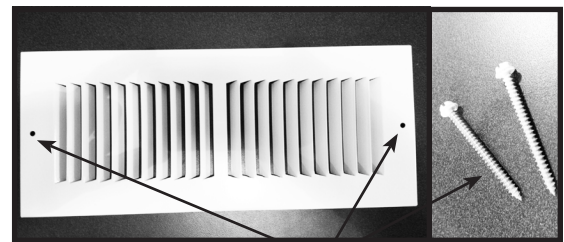
**MOUNTING BRACKET
(Not a service Part)**



659-122 SILVER GROUND SCREW



695-125 REGISTER ADAPTER FRAME



659-150 WHITE REGISTER SCREWS



662-803 GEAR CLAMP: LARGE



659-129 DUCT ADAPTER: ROUND TO OVAL

Figure 2. HEAT-ZONE-PRIMO Components

- Install the HEAT-ZONE-PRIMO collars on the left and right sides of the appliance with screws. See Figure 3.
- Attach included air duct to the HEAT-ZONE-PRIMO collars with gear clamps. See Figure 4.
- Attach both mounting brackets to the fan housing. See Figure 4.
- Mount fan housing in desired location. See Figures 1, 6 and 7.
- Attach round to oval adapter to fan housing with two screws. See Figure 4.
- Attach included flexible ducts to round to oval adapter with gear clamps.

Note: 6 Inch metal duct can be used in place of the included flexible ducts.

WARNING! Risk of Fire! HEAT-OUT-PRIMO seal plates MUST remain installed. Appliance could overheat.

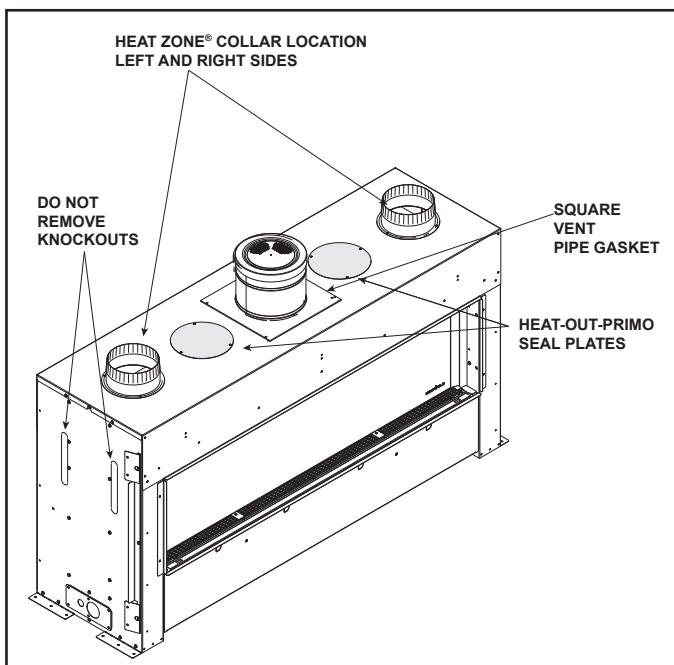


Figure 3. HEAT-ZONE-PRIMO

WARNING! Risk of Fire! DO NOT fold/kink/pinch/obstruct 6 inch flexible ducts. Appliance could overheat.

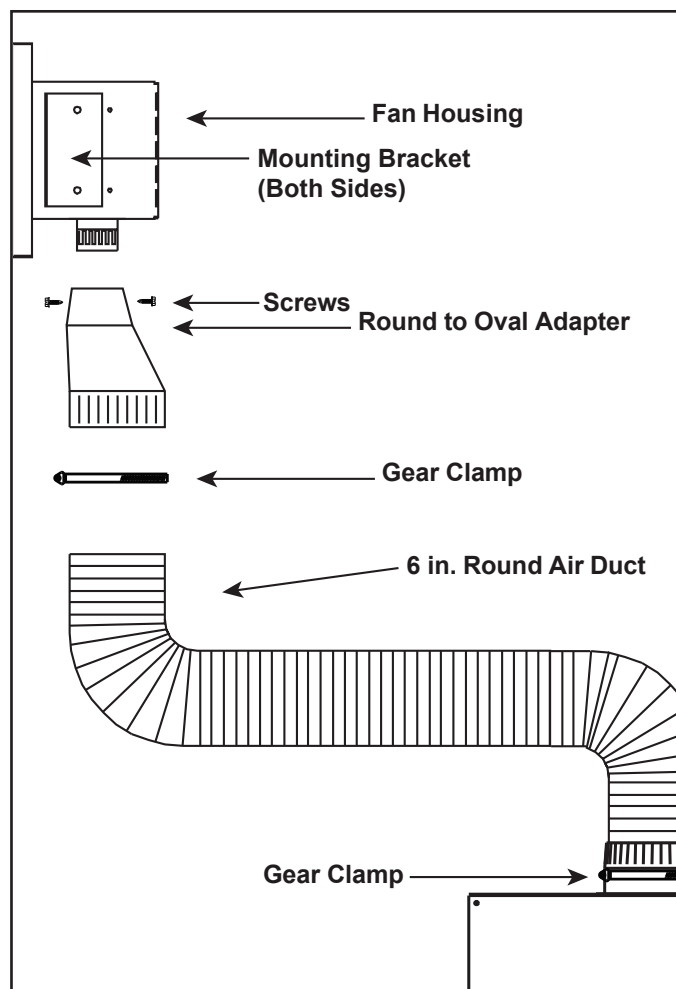


Figure 4.

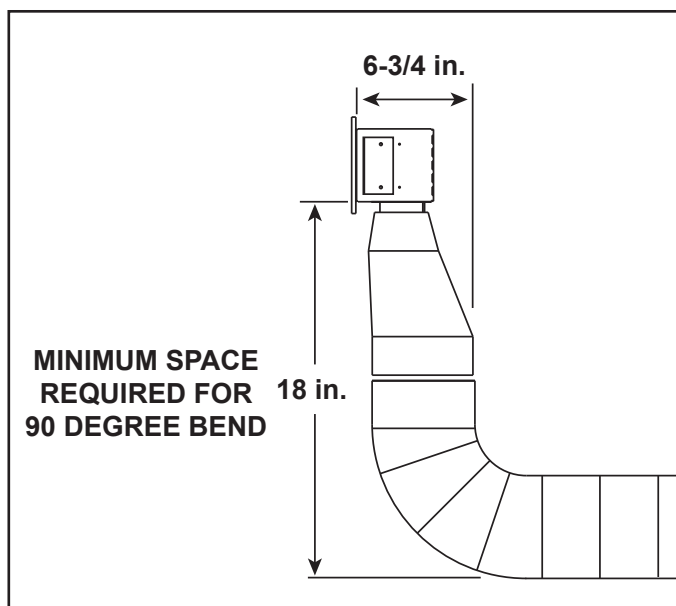


Figure 5.

WARNING! Risk of Fire! The PowerFlow™ Heat Management system must remain ON during operation of the appliance. Overheating will occur. The appliance will shut down if the heat management systems are not operational.

The HEAT-ZONE-PRIMO PowerFlow™ Heat Management System conveys warm air from the fireplace through air ducts to remote locations in the same room or other rooms in the building. Two Heat-Zones must be installed with the Primo appliance or the appliance will overheat. Two HEAT-ZONE-PRIMO's are included in the kit.

Fan Housing Assembly Installation

Note: The fan and electrical connections must be accessible for servicing per local code requirements.

2 X 6 Wall Mounting

Mount and secure the fan housing assembly to framing members so the front surface is 1/4 -in. (6 mm) below the finished wall. Use the adjustable mounting brackets and screws provided in the kit. See Figure 6 and Figure 7.

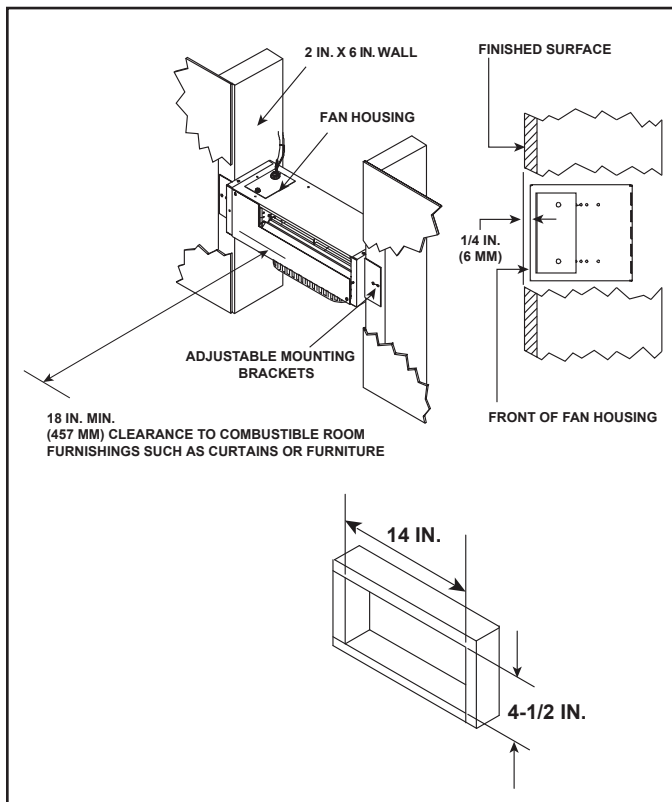


Figure 6. Wall Mounting (2 X 6)

2 X 4 Wall Mounting

Note: The brackets can be rotated 180° and mounted to the back side of the 2 x 4 if necessary. See Figure 7.

If the fan housing is installed in a 2 x 4 wall, the front of the housing will protrude approximately 1/2 in. (13 mm) out of the wall. See Figure 7.

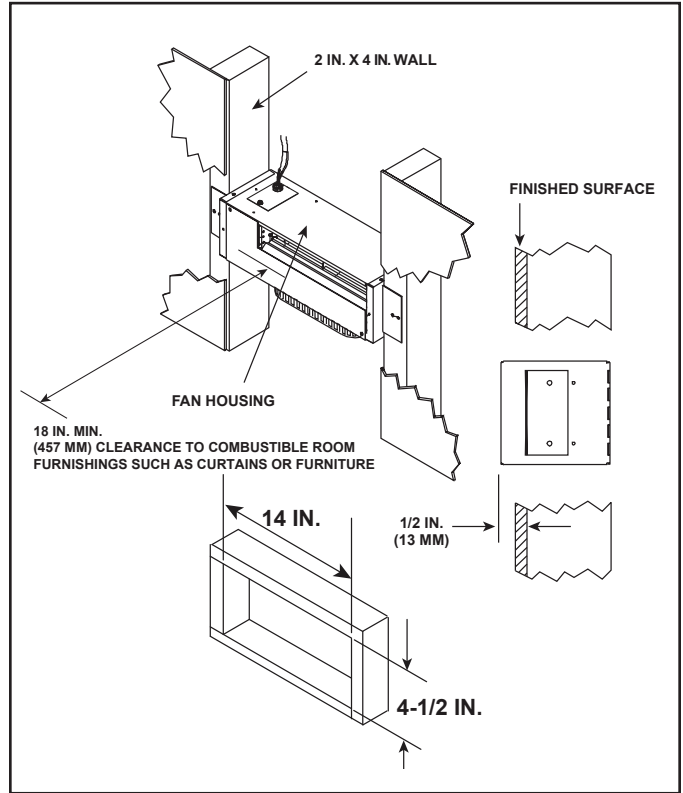


Figure 7. Wall Mounting (2 X 4)

Other Duct Options

Metal Oval Air Duct: Attach the round-to-oval adapter to the HEAT-ZONE-PRIMO collar with screws. Attach the 6" oval duct to the adapter with screws. Complete the duct run and attach the oval duct to the fan housing. **Note:** 6 in. metal oval duct is NOT provided with the HEAT-ZONE-PRIMO kit, but can be purchased from an HVAC supplier.

Metal Round And Oval Duct: A combination of 6 in. round and 6 in. oval air duct can be used in the duct run. Metal duct components may be purchased from an HVAC supplier.

Note: Support duct at intervals of no greater than four feet, with no more than 1/2 in. sag between supports as required by local code. Tape all seams with aluminum tape (1-1/4 in. minimum width, or as specified by local codes).

CAUTION! Risk of Overheating! Tape seams to prevent overheating and shut down of appliance.

Plan the location of the fireplace and the warm air duct run(s).

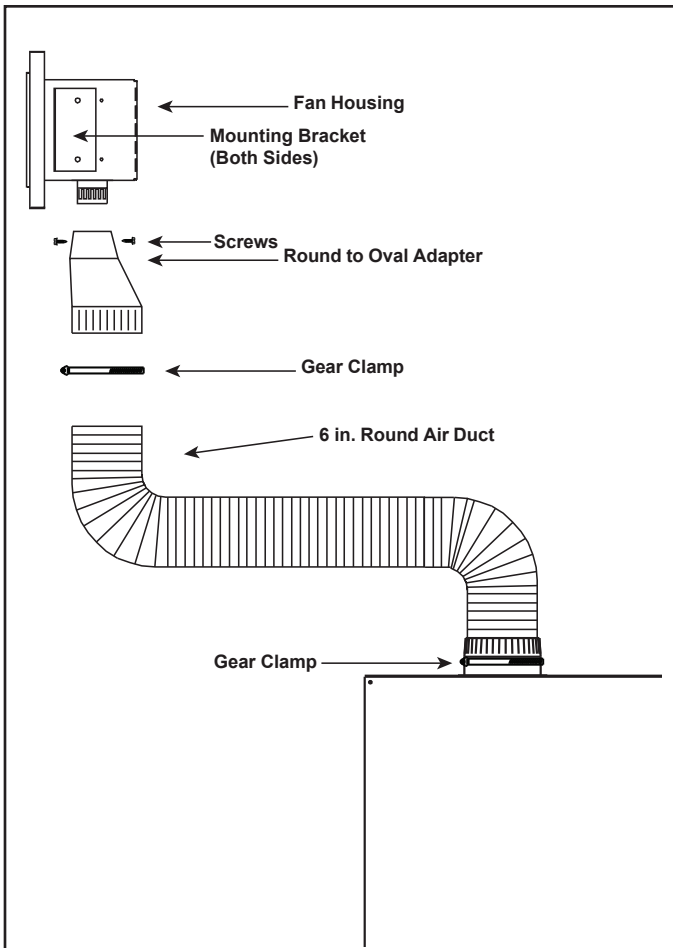


Figure 8.

Electrical Connections

Wire 110-120 VAC service from the appliance to the junction box. See Figure 9. Use wire nuts to secure the 110-120 VAC service wires to the hot and neutral fan wires and screw the 110-120 VAC ground wire to the fan box. See wiring diagram in section 8 of the appliance manual.

Place rheostat assembly into appliance to the right of the valve component tray as shown in Figure 10. Use included one inch square hook and loop fastener included in kit to retain the rheostat.

Unplug one of the wires that is currently supplying power to the thermodisc from the electrical junction box. Plug one wire from the rheostat assembly into the same location on the junction box and the other wire from the rheostat assembly to the wire still attached to the thermodisc. See Figure 12. Ground the rheostat to the chassis of the appliance with the included sheet metal screw.

Screw the duct cover to the fan box.

Screw the register adapter frame and the air register to the fan housing.

Complete the fireplace installation per instructions.

NOTICE: This appliance must be electrically wired and grounded in accordance with local codes or, in the absence of local codes, with **National Electric Code ANSI/NFPA 70-latest edition** or the **Canadian Electric Code CSA C22.1**.



Figure 9.

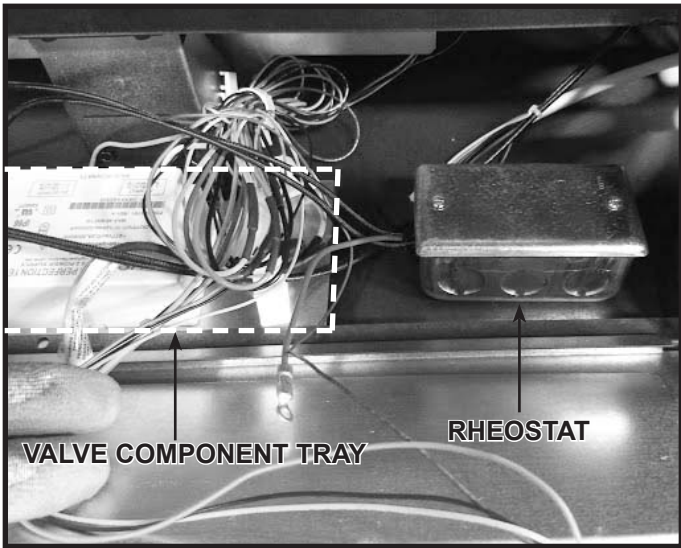


Figure 10. Location of Rheostat in Control Cavity

Maintenance

Service and maintain the gas fireplace per instructions. Keep the air register(s) clean and free of any blockage.

WARNING! Risk of Fire! Either the HEAT-ZONE-PRIMO or the HEAT-OUT-PRIMO PowerFlow™ Heat Management system must remain ON during operation of the appliance. Overheating will occur. Appliance will shut down.

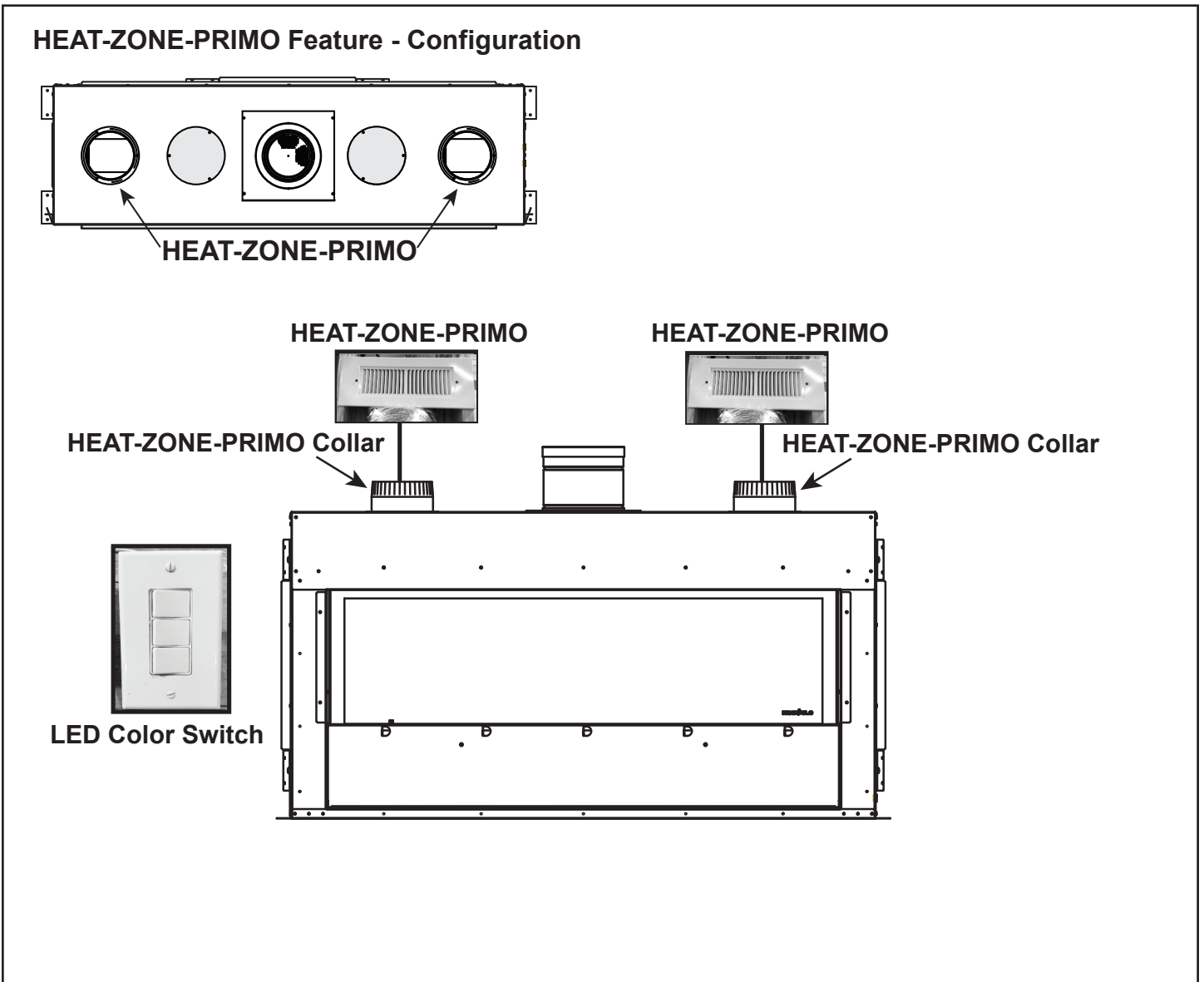


Figure 11. HEAT-ZONE-PRIMO Configuration

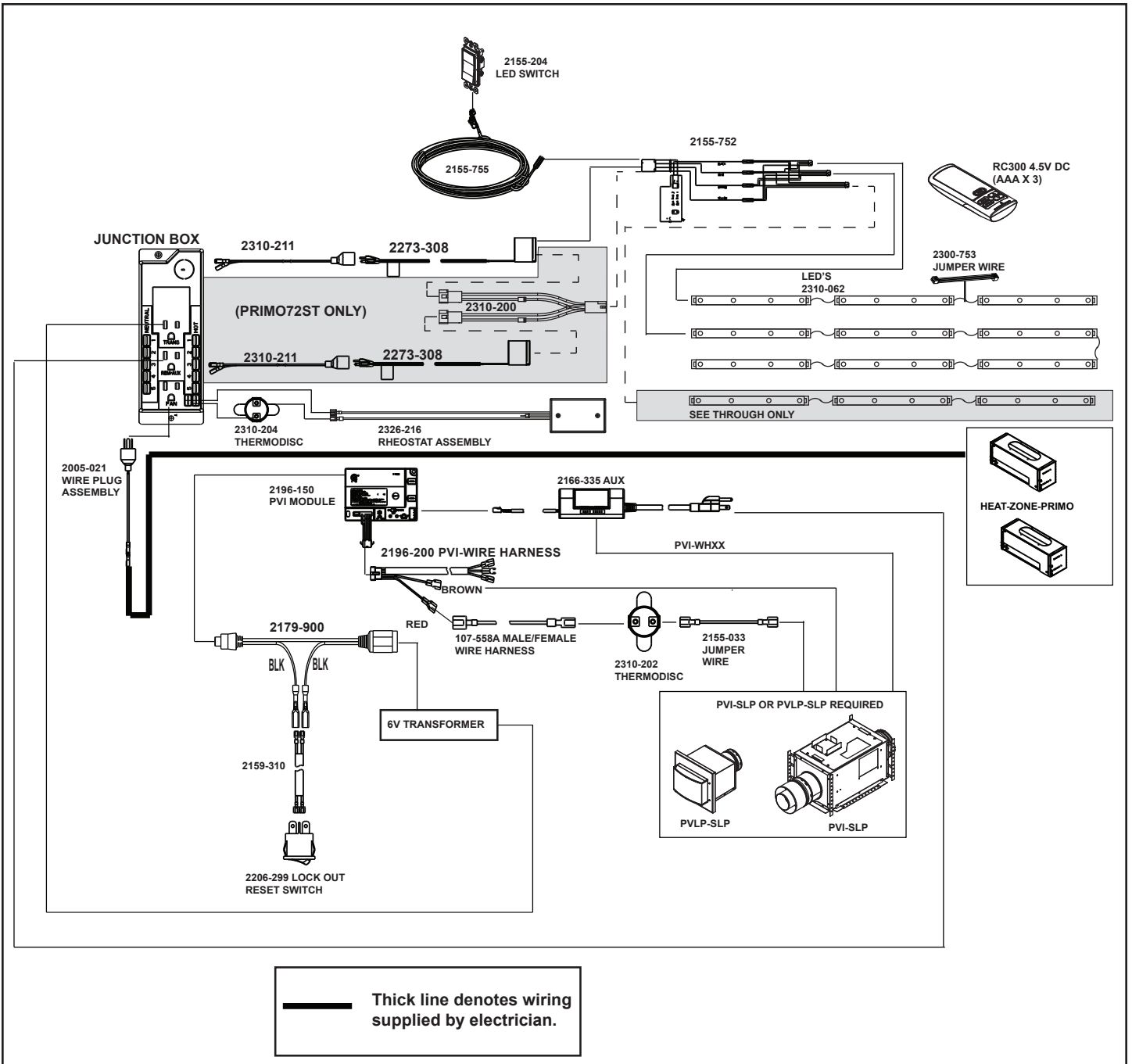


Figure 12. HEAT-ZONE-PRIMO Wiring Diagram

Please contact your Heat & Glo dealer with any questions or concerns.
 For the location of your nearest Heat & Glo dealer, please visit www.heatnglo.com.

Heat & Glo, a brand of Hearth & Home Technologies
 7571 215th Street West, Lakeville, MN 55044
www.heatnglo.com