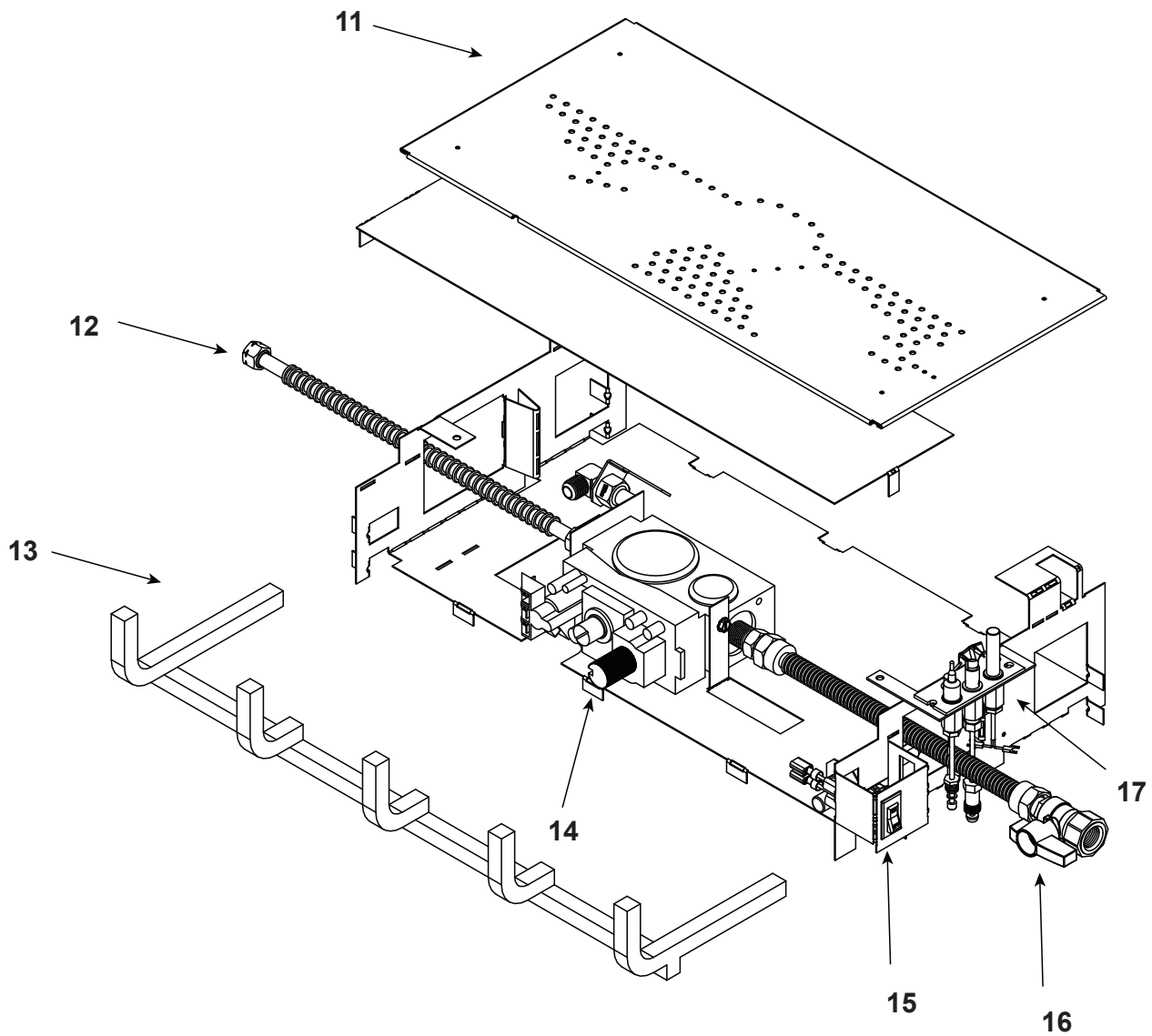
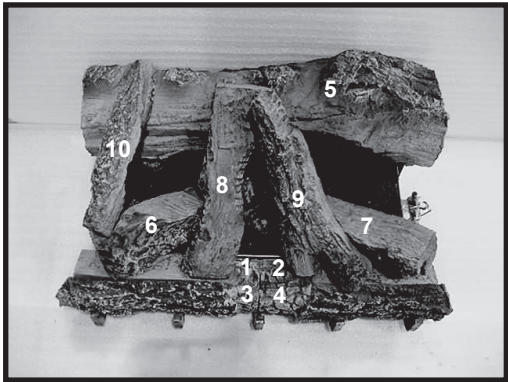


Log Set Assembly



Part number list on following page.

IMPORTANT: THIS IS DATED INFORMATION. Parts must be ordered from a dealer or distributor. **Hearth and Home Technologies does not sell directly to consumers.** Provide model number and serial number when requesting service parts from your dealer or distributor.



**Stocked
at Depot**

| ITEM | DESCRIPTION | COMMENTS | PART NUMBER | |
|------|-----------------------------|--|-------------|---|
| | Log Assembly | | LOGS-CFL18 | |
| 1 | Log 1 | Pre 5/15/16, Must order complete assembly | SRV481-766 | |
| 2 | Log 2 | | | |
| 3 | Log 3 | | SRV481-755 | |
| 4 | Log 4 | | | |
| 5 | Log 5 | | SRV481-701 | |
| 6 | Log 6 | | SRV481-705 | |
| 7 | Log 7 | | SRV446-702 | |
| 8 | Log 8 | | SRV481-703 | |
| 9 | Log 9 | | SRV402-701 | |
| 10 | Log 10 | | SRV446-706 | |
| 11 | Burner Assembly | | 526-010A | Y |
| 12 | Flexible Gas Connector | | 477-301A | Y |
| 13 | Grate Assembly | | 526-360 | |
| 14 | Valve NG | | 418-500 | Y |
| | Valve LP | | 418-501 | Y |
| 15 | ON/Off Switch | | 060-521A | Y |
| 16 | Flex Ball Valve Assembly | | SRV302-320 | Y |
| 17 | Pilot Assembly NG | | 2103-010 | Y |
| | Pilot Assembly LP | | 2103-011 | Y |
| | Mineral Wool | | 050-721 | |
| | Orifice NG (1.55) | | 526-801 | Y |
| | Orifice LP (2.30 mm) | | 526-800 | Y |
| | Piezo Ignitor | | 291-513 | Y |
| | Pilot Orifice NG | | SRV2103-116 | Y |
| | Pilot Orifice LP | | 2103-117 | Y |
| | Remote Heat Shield | | 526-199 | |
| | Thermocouple | | 2103-511 | Y |
| | Thermopile | | 2103-512 | Y |
| | Vermiculite | | 060-720 | |
| | Wire Assembly 24 in | | 089-550A | Y |
| | Single Wire Assembly, 24 in | | 049-555A | Y |
| | | | | |
| | | | | |
| | | | | |
| | | | | |