

## Wall Mount Bracket Kit

### BRACKET-ALL48, BRACKET-ALL60, BRACKET-ALL84

Model: SF-ALL40-BK, SF-ALL48-BK, SF-ALL60-BK, SF-ALL84-BK,

SF-ALLP50-BK, SF-ALLP60-BK, SF-ALLP72-BK

- Instructions -



Leave this manual with party responsible for use and operation.

**WARNING! Risk of Personal Injury or Property Damage!** Failure to follow instructions below may result in damage to the equipment and or may expose the user to the risk of fire, serious injury, illness or death.

**CAUTION! Risk of Cuts, Abrasions or Flying Debris.** Wear protective gloves and safety glasses during installation and service. Sheet metal edges are sharp.

**WARNING! Risk of Shock!** Always unplug the cord or turn off the circuit breaker before moving or servicing.

### Introduction

This kit provides installation instructions for the wall mount bracket kit.

### Kit Contents:

- Wall Mount Bracket
- (8) Toggle Bolts
- (8) Masonry Anchors
- (8) ST6X50 Screws
- (2) M5X10 Screws

BRACKET-ALL48 & BRACKET-ALL60 Kit also includes:

- Side Panels (1-right side, 1-left side)
- (4) ST4X8 Screws

### Tools and Supplies Needed

Before beginning the installation be sure that the following tools and building supplies are available.

Tape measure

Needle-nose pliers

Hammer

Gloves

Level

Phillips screwdriver

Safety glasses

Drill

1/2 in. drill bit for 3/16 in. diameter toggle bolts

(applicable if installing on drywall-sheathed walls)

Masonry drill bit 5/16 in. (applicable if installing on masonry walls)

Appliance	Kit Sku	Minimum # of Anchors Required
SF-ALL40-BK SF-ALL48-BK SF-ALLP50-BK	BRACKET-ALL48	6
SF-ALL60-BK SF-ALLP60-BK	BRACKET-ALL60	6
SF-ALLP72-BK	BRACKET-ALL60	8
SF-ALL84-BK	BRACKET-ALL84	8

Table 1

## Direct Wall Mounting with Wall Mounting Bracket

The wall mounting bracket can be installed on masonry walls such as those constructed of brick or concrete, or to framed walls constructed of wood or steel framing sheathed with gypsum wallboard, drywall, wood, etc. The method used to mount the mounting bracket is different between masonry walls and framed walls. Refer to the following sections for more detail on the method applicable to this installation.

### Framed Wall

- Locate the mounting bracket on the wall in the desired location of the appliance. Level the bracket, then mark its location on the wall, including a marking for each of the fastener holes in the bracket.
- For each of the marked mounting point locations, determine which points align with a structural framing member. A minimum of two (2) locations should be secured into a framing member.
- At the points where a wood or metal framing member exists, the ST6X50 screw can be installed directly into that structural member.
- For every mounting hole that does not align with a structural framing member, a wall board toggle-bolt anchor must be used. See Figure 1.

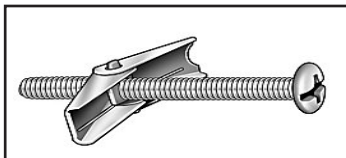


Figure 1 3/16 Toggle-Bolt Anchor

- The toggle-bolt anchors are provided to accommodate the required anchor points based on the appliance. Use of toggle bolt anchors requires drywall thickness of minimum 1/2 in. and drilled holes size of 1/2 in. diameter.
- Insert the bolt through the front side of the mounting bracket and thread the toggle onto it from the rear of the bracket. See Figure 2.
- Fold the toggle wings flush against the bolt and push them through a drilled hole until the toggle wings expand open on the other side. See Figure 3.
- Pull back on the bolt and tighten. See Figure 3.

**Note:** This product cannot be installed on a wall sheathed with drywall less than 1/2 in. thick, unless all six (6) anchor points in the mounting bracket align with structural framing members.

**NOTICE:** Minimum six (6) screws and/or toggle bolt anchors are required for wall mounting the SF-ALLP50-BK, SF-ALL60-BK and SF-ALLP60-BK. Minimum of eight (8) screws and/or toggle bolt anchors are required for wall mounting the SF-ALLP72-BK and SF-ALL84-BK.

**WARNING! Risk of Damage or Personal Injury!** Allowable pull-out and shear strength are 25% of ultimate values or less, as required by building authorities.



Figure 2 Toggle Bolt Installation through Mounting Bracket



Figure 3 Installing Anchors in Hollow Wall

## Masonry Wall

- Locate the mounting bracket on the wall in the desired location of the appliance. Level the bracket, then mark its location on the wall, including a marking for each of the fastener holes in the bracket.

**NOTICE:** See Table 1 for list of minimum number of anchors required for wall mounting by model.

- In the marked locations, drill 5/16 in. diameter x 2 in. deep holes. See Figure 4.

**NOTICE:** The supplied wall anchors are designed for solid masonry wall such as brick or poured concrete. Do not use the supplied wall anchors when mounting this product to hollow concrete block walls. If mounting this product to concrete block, contact your local building supply retailer to source a fastener system that is compatible with concrete block and rated minimum 150 lbs. load capacity at each required anchor point.

- Insert the provided wall anchors into the holes.
- Gently tap the anchors with a hammer until they are flush with the wall surface.
- With mounting hooks pointed up, attach the bracket to the masonry anchors with ST6X50 screws. See Figure 5.

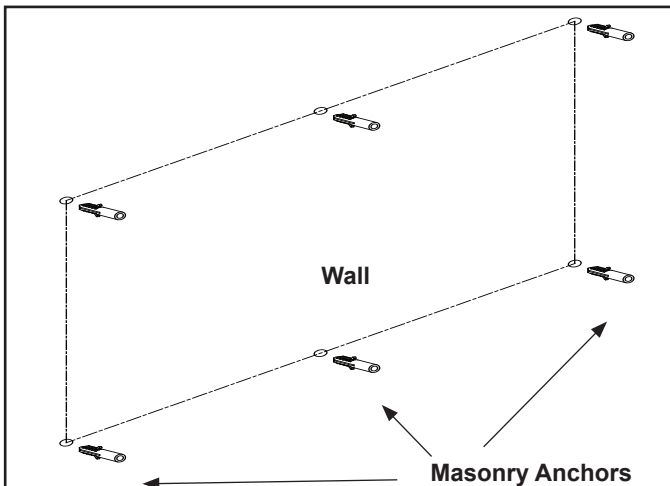


Figure 5 Masonry Anchor Placement

**WARNING! Risk of Damage or Personal Injury! Do not use supplied masonry anchors on hollow walls, sheathed with wood, gypsum wallboard, drywall or other materials.**

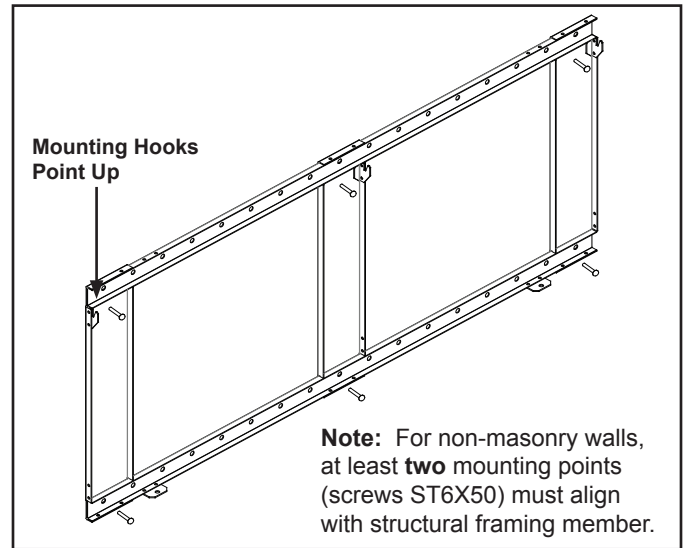


Figure 5 Bracket Attachment

## Appliance Installation

- Hang appliance on the mounting bracket.
- Align the slots on the back of the appliance with the hooks on the top two corners of the bracket.
- Hang the appliance and pull down to ensure the hooks are fully engaged. See Figure 6.
- Secure the appliance to the bracket with two M5X10 screws. See Figure 6.

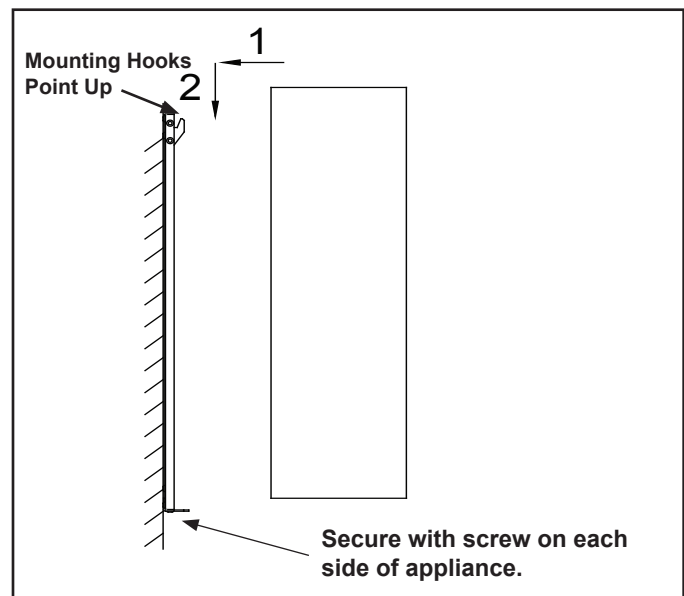


Figure 6 Attaching Appliance to Bracket

## Installing Side Panels (SF-ALLP50-BK, SF-ALLP60-BK AND SF-ALLP72-BK models only)

**NOTICE:** Side panels are included with the BRACKET-ALL48 and BRACKET-ALL60 kits only. If installing an appliance other than SF-ALLP50-BK, SF-ALLP60-BK or SF-ALLP72-BK, the side panels may be discarded.

- Install side panels in the orientation shown in Figure 7.
- Insert the panel tabs into the slots on the top of the appliance.
- Fasten each panel with two (2) ST4X8 screws on the bottom of appliance.

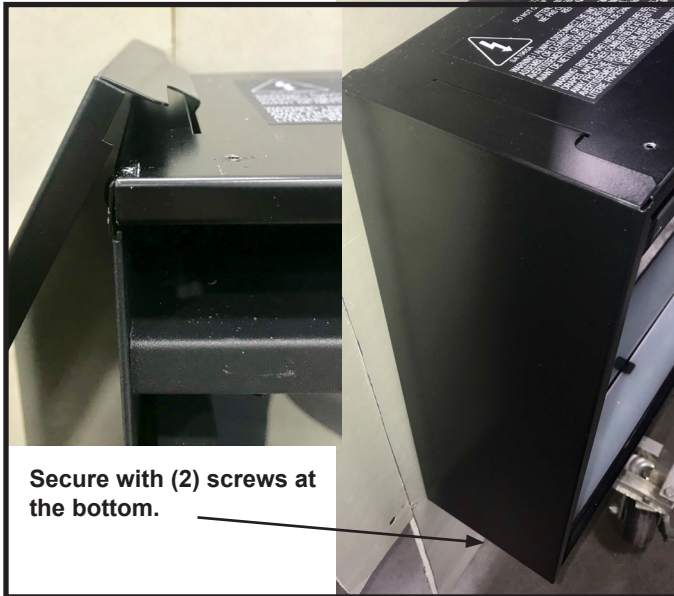


Figure 7 Installing Side Panels

SimpliFire, a brand of Hearth & Home Technologies  
7571 215<sup>th</sup> Street West, Lakeville, MN 55044  
[www.hearthnhome.com](http://www.hearthnhome.com)